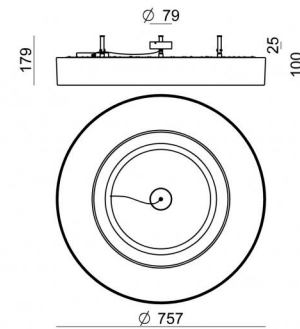




Ceiling Lights | 220-240 V
84 topLED 33 W DC - 36 W AC | CRI 90
7653



Technical data	
Construction year	2016
Type	Surface
Installation position	Ceiling
Installation environment	Indoor
Light Source	LED
Optics	General Lighting
Light emission direction	downward and upward
Power	33 W
Source lumens	4229 lm
Frequency	50 - 60 Hz
CCT / Tone	3000 K
Colour rendering index	90 Ra
C.C. / C.V.	AC
Safety class	1
IP	IP40
Glow wire test	650°
Direct mounting on normally flammable surfaces	Yes
CE	Yes
Driver included	Driver
Dimmable article	DALI
Directional	No
Tilting	No
Walk-over	No
Drive-over	No
Cable included	No
Resin potting	No
Type of light emission	Double emission

Finishing casing

Material	Iron
Colour	white
Processing	Coating

Finishing diffuser

Material	PE
Colour	neutral

Finishing mounting frame

Material	Iron
Colour	white
Processing	Coating



Ceiling Lights | 220-240 V | 84 topLED 33 W DC - 36 W AC | CRI 90 | Base 7653

Double emission ceiling lights for indoor application. The warm white LED light source with a general lighting light distribution is composed of 84 topped LEDs with CCT of 3000 K and a CRI 90; the source luminous flux is 4229 lm, with a 128.2 lm/W nominal luminous efficacy.

The device body is made of iron and features a white finish, processed by means of coating; the diffuser is made of pe; the mounting frame is made of iron, with a white finish, processed by means of coating. The ingress protection degree is IP40; the total weight is of -- kg.

The total absorbed power is 33 W.

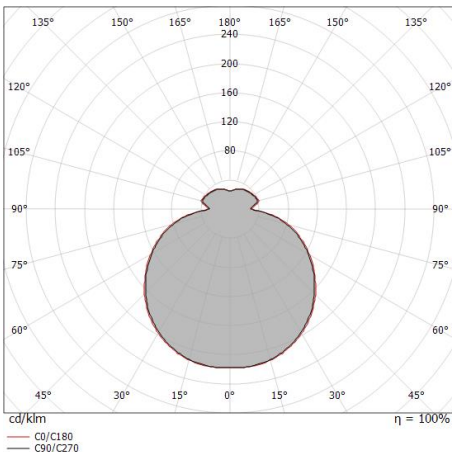
The device features protection class I and can be ceiling-mounted.

Compliant with the EN 60598-1 standard and its specific provisions.

Illuminotechnical Features	
Light Output Ratio (LOR)	78 %
Source lumens	4229 lm
Delivered lumens	3314.67 lm
Consumption	33 W
Luminaire efficacy	100 lm/W
Colour temperature	3000 K
Standard Deviation of Colour Matching	3 Step MacAdam
Colour rendering index	90 Ra
Junction temperature (lighting fixture)	80
Standard Operating Ambient Temperature	25
LED Life / Failure Ratio	
L80 B20 C0 80000h	

UGR	
UGR axial	19.5
UGR transversal	19.7
X=4H Y=8H	S=0.25H
Reflection factor	70/50/20

OPTICAL	
Light distribution simmetry	Symmetrical
C0/C180 optics	131°



Distance [m]	Cone diameter [m]	Illuminance [lx]
0.5	2.19 2.28	E(0°) 2886 E(C90) 103 E(C0) 94
1.0	4.39 4.56	E(0°) 722 E(C90) 26 E(C0) 24
1.5	6.58 6.83	E(0°) 321 E(C90) 11 E(C0) 10
2.0	8.78 9.11	E(0°) 180 E(C90) 6 E(C0) 6
2.5	10.97 11.39	E(0°) 115 E(C90) 4 E(C0) 4
3.0	13.17 13.67	E(0°) 80 E(C90) 3 E(C0) 3

Distance [m] Cone diameter [m] Illuminance [lx]

— C0/C180 (Half-peak divergence: 132.6°)
— C90/C270 (Half-peak divergence: 131.0°)



Dimmer
Bluetooth, 220-240V

Code
KIT0079