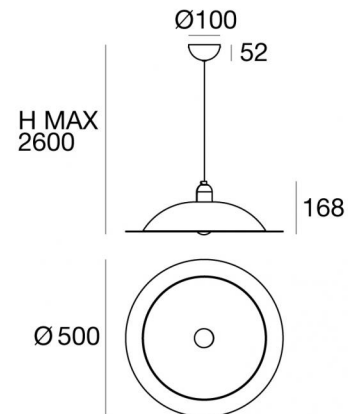


Lampiatta



Pendant Luminaires | 220-240 V | 1xE27
8988



Technical data	
Designer	De Pas - D'urbino - Lomazzi
Construction year	1971
Type	Pendant Luminaires
Installation position	Ceiling
Installation environment	Indoor
Power	1 x 11 W
Lamp cap	1 x E27
Frequency	50-60 Hz
Optics	General Lighting
Light emission direction	downward
Safety class	1
IP	IP20
Glow wire test	650°
Direct mounting on normally flammable surfaces	Yes
CE	Yes
Dimmable article	No
Directional	No
Tilting	No
Walk-over	No
Drive-over	No
Cable included	Yes
Cable length	2.5 m
Resin potting	No
Net weight	1,44 Kg

Finishing diffuser	
Material	Aluminium - Aluminium
Colour	White RAL 9016 - Black RAL 9005
Processing	Powder coating - Powder coating

Finishing mounting frame	
Material	Iron
Colour	White RAL 9016
Processing	Powder coating

Cables Pendant Luminaires	
Max cable length	2500 mm



Pendant Luminaires | 220-240 V | 1xE27
8988

Single emission pendant luminaires for indoor application. LED
lamplamp included, lamp cap 1xE27.

The diffuser is made of aluminium with a powder coating treatment the
diffuser is made of aluminium with a powder coating treatment; the
mounting frame is made of iron, with a white ral 9016 finish, processed
by means of powder coating. The ingress protection degree is IP20; the
total weight is of 1,44 kg.

. The power supply cable is included and features a 2.5 m lenght.

The device features protection class I and can be ceiling-mounted.

Compliant with the EN 60598-1 standard and its specific provisions.

Illuminotechnical Features

Source lumens	1520 lm
Colour temperature	2700 K
Colour rendering index	80 Ra