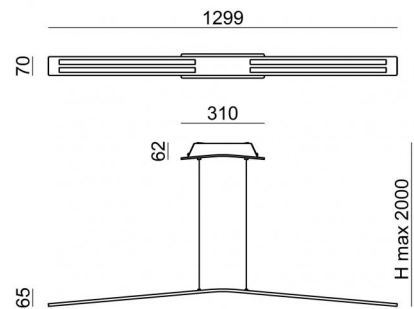




Pendant Luminaires | 220-240 V  
156 topLED 45 W DC - 45 W AC | CRI 85  
7138



Technical data	
Construction year	2018
Type	Surface
Installation position	Ceiling
Installation environment	Indoor
Light Source	LED
Optics	General Lighting
Light emission direction	downward and upward
Power	45 W
Source lumens	3241 lm
Frequency	50 - 60 Hz
CCT / Tone	3000 K
Colour rendering index	85 Ra
C.C. / C.V.	AC
Safety class	1
IP	IP40
Glow wire test	850°
Direct mounting on normally flammable surfaces	Yes
CE	Yes
Driver included	Driver
Dimmable article	No
Directional	No
Tilting	No
Walk-over	No
Drive-over	No
Cable included	No
Resin potting	No
Type of light emission	Double emission
Net weight	4.3 Kg

### Finishing casing

Material	Aluminium
Colour	black RAL 9005
Processing	Coating

### Finishing diffuser

Material	PC
Colour	opaline

### Finishing mounting frame

Material	Iron
Colour	black RAL 9005
Processing	Coating



Pendant Luminaires | 220-240 V | 156 topLED 45 W DC - 45 W AC | CRI 85 | Base 7138

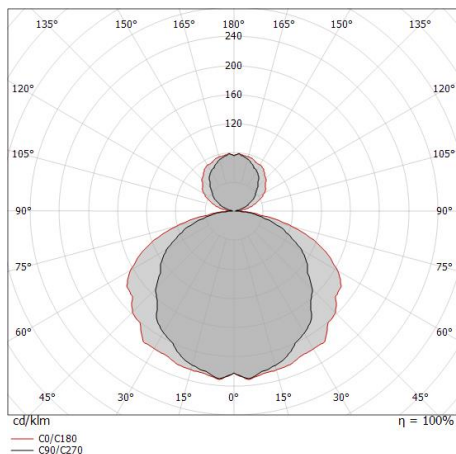
Double emission pendant luminaires for indoor application. The warm white LED light source with a general lighting light distribution is composed of 156 topped LEDs with CCT of 3000 K and a CRI 85; the source luminous flux is 3241 lm, with a 72.0 lm/W nominal luminous efficacy.

The device body is made of aluminium and features a black ral 9005 finish, processed by means of coating; the diffuser is made of PC; the mounting frame is made of iron, with a black ral 9005 finish, processed by means of coating. The ingress protection degree is IP40; the total weight is of 4.3 kg.

The total absorbed power is 45 W.

The device features protection class I and can be ceiling-mounted.

Compliant with the EN 60598-1 standard and its specific provisions.



Distance [m]	Cone diameter [m]	illuminance [lx]
0.5	1.55 2.76	E(0°) 2148 E(C90) 178 E(C0) 44
1.0	3.10 5.52	E(0°) 537 E(C90) 44 E(C0) 11
1.5	4.66 8.29	E(0°) 239 E(C90) 20 E(C0) 5
2.0	6.21 11.05	E(0°) 134 E(C90) 11 E(C0) 3
2.5	7.76 13.81	E(0°) 86 E(C90) 7 E(C0) 2
3.0	9.31 16.57	E(0°) 60 E(C90) 5 E(C0) 1

Distance [m] Cone diameter [m] illuminance [lx]

— C0/C180 (Half-peak divergence: 140.2°)  
— C90/C270 (Half-peak divergence: 114.4°)

Illuminotechnical Features	
Light Output Ratio (LOR)	74 %
Source lumens	3241 lm
Delivered lumens	2414 lm
Consumption	45 W
Luminaire efficacy	53 lm/W
Colour temperature	3000 K
Standard Deviation of Colour Matching	3 Step MacAdam
Colour rendering index	85 Ra
Junction temperature (lighting fixture)	80
Standard Operating Ambient Temperature	25
LED Life / Failure Ratio	
L80 B20 C0 80000h	

UGR	
UGR axial	11.2
UGR transversal	18.7
X=4H   Y=8H	S=0.25H
Reflection factor	70/50/20

OPTICAL	
Light distribution simmetry	Symmetrical 2
C0/C180 optics	140°
C90/C270 optics	114°