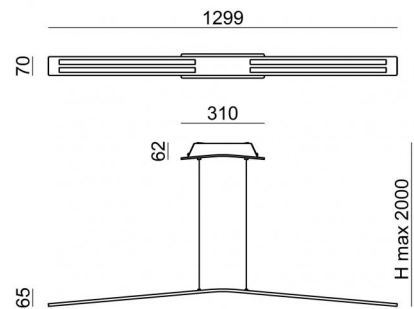


# Lama\_P1



Pendant Luminaires | 220-240 V  
156 topLED 45 W DC - 45 W AC | CRI 85  
7106



| Technical data                                 |                     |
|--|---------------------|
| Construction year                              | 2011                |
| Type   | Surface             |
| Installation position                          | Ceiling             |
| Installation environment                       | Indoor              |
| Light Source                                   | LED                 |
| Optics   | General Lighting    |
| Light emission direction                       | downward and upward |
| Power  | 45 W                |
| Source lumens                                  | 3241 lm             |
| Frequency                                      | 50 - 60 Hz          |
| CCT / Tone                                     | 3000 K              |
| Colour rendering index                         | 85 Ra               |
| C.C. / C.V.                                    | AC                  |
| Safety class                                   | 1                   |
| IP   | IP40                |
| Glow wire test                                 | 850°                |
| Direct mounting on normally flammable surfaces | Yes                 |
| CE   | Yes                 |
| Driver included                                | Driver              |
| Dimmable article                               | No                  |
| Directional                                    | No                  |
| Tilting  | No                  |
| Walk-over                                      | No                  |
| Drive-over                                     | No                  |
| Cable included                                 | No                  |
| Resin potting                                  | No                  |
| Type of light emission                         | Double emission     |
| Net weight                                     | 4.3 Kg              |

## Finishing casing

|            |           |
|------------|-----------|
| Material   | Aluminium |
| Colour     | white     |
| Processing | Coating   |

## Finishing diffuser

|          |         |
|----------|---------|
| Material | PC      |
| Colour   | opaline |

## Finishing mounting frame

|            |         |
|------------|---------|
| Material   | Iron    |
| Colour     | white   |
| Processing | Coating |



Pendant Luminaires | 220-240 V | 156 topLED 45 W DC - 45 W AC | CRI 85 | Base 7106

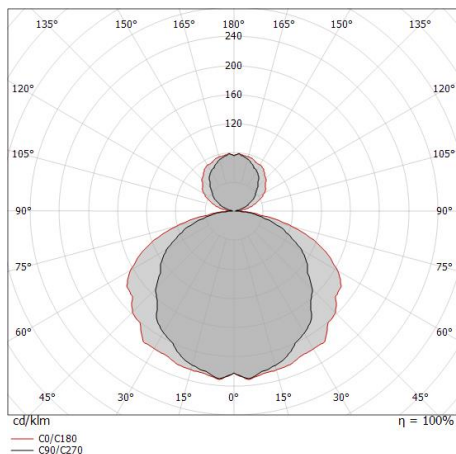
Double emission pendant luminaires for indoor application. The warm white LED light source with a general lighting light distribution is composed of 156 topped LEDs with CCT of 3000 K and a CRI 85; the source luminous flux is 3241 lm, with a 72.0 lm/W nominal luminous efficacy.

The device body is made of aluminium and features a white finish, processed by means of coating; the diffuser is made of PC; the mounting frame is made of iron, with a white finish, processed by means of coating. The ingress protection degree is IP40; the total weight is of 4.3 kg.

The total absorbed power is 45 W.

The device features protection class I and can be ceiling-mounted.

Compliant with the EN 60598-1 standard and its specific provisions.



| Distance [m] | Cone diameter [m] | illuminance [lx]                     |
|--------------|-------------------|--------------------------------------|
| 0.5          | 1.55<br>2.76      | E(0°) 2148<br>E(C90) 178<br>E(C0) 44 |
| 1.0          | 3.10<br>5.52      | E(0°) 537<br>E(C90) 44<br>E(C0) 11   |
| 1.5          | 4.66<br>8.29      | E(0°) 239<br>E(C90) 20<br>E(C0) 5    |
| 2.0          | 6.21<br>11.05     | E(0°) 134<br>E(C90) 11<br>E(C0) 3    |
| 2.5          | 7.76<br>13.81     | E(0°) 86<br>E(C90) 7<br>E(C0) 2      |
| 3.0          | 9.31<br>16.57     | E(0°) 60<br>E(C90) 5<br>E(C0) 1      |

— C0/C180 (Half-peak divergence: 140.2°)  
— C90/C270 (Half-peak divergence: 114.4°)

### Illuminotechnical Features

|   |                |
|---|----------------|
| Light Output Ratio (LOR)                | 74 %           |
| Source lumens                           | 3241 lm        |
| Delivered lumens                        | 2414 lm        |
| Consumption                             | 45 W           |
| Luminaire efficacy                      | 53 lm/W        |
| Colour temperature                      | 3000 K         |
| Standard Deviation of Colour Matching   | 3 Step MacAdam |
| Colour rendering index                  | 85 Ra          |
| Junction temperature (lighting fixture) | 80             |
| Standard Operating Ambient Temperature  | 25             |

### LED Life / Failure Ratio

L80 B20 C0 80000h

### UGR

|                   |          |
|-------------------|----------|
| UGR axial         | 11.2     |
| UGR transversal   | 18.7     |
| X=4H   Y=8H       | S=0.25H  |
| Reflection factor | 70/50/20 |

### OPTICAL

|                             |               |
|-----------------------------|---------------|
| Light distribution simmetry | Symmetrical 2 |
| C0/C180 optics              | 140°          |
| C90/C270 optics             | 114°          |