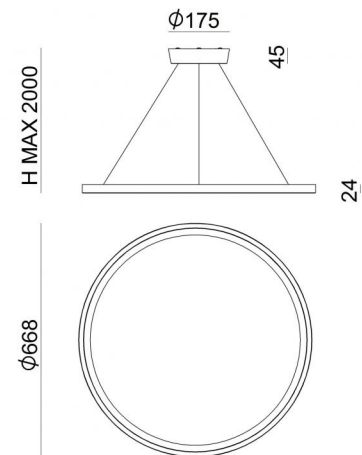




Pendant Luminaires | 220-240 V
200 topLED 42 W DC - 42 W AC | CRI 90
8619



Technical data	
Construction year	2018
Type	Surface
Installation position	Ceiling
Installation environment	Indoor
Light Source	LED
Optics	General Lighting
Light emission direction	downward
Power	42 W
Source lumens	5671 lm
Frequency	60 - 50 Hz
CCT / Tone	3000 K
Colour rendering index	90 Ra
C.C. / C.V.	AC
Safety class	1
IP	IP40
Glow wire test	850°
Direct mounting on normally flammable surfaces	Yes
CE	Yes
Driver included	Driver
Dimmable article	Phase cut
Directional	No
Tilting	No
Walk-over	No
Drive-over	No
Cable included	Yes
Cable length	2.3 m
Resin potting	No
Type of light emission	Double emission
Net weight	4.9 Kg
Electrostatic discharge protection	No
Surge protection	No

Finishing casing

Material	metal
Colour	Rose Gold
Processing	Electroplating

Finishing diffuser

Material	PC
Colour	opaline

Finishing mounting frame

Material	metal
Colour	Embossed white RAL 9003
Processing	Coating



Pendant Luminaires | 220-240 V | 200 topLED 42 W DC - 42 W AC | CRI 90 | Base
8619

Double emission pendant luminaires for indoor application. The warm white LED light source with a general lighting light distribution is composed of 200 topped LEDs with CCT of 3000 K and a CRI 90; the source luminous flux is 5671 lm, with a 135.0 lm/W nominal luminous efficacy.

The device body is made of metal and features a rose gold finish, processed by means of electroplating; the diffuser is made of PC; the mounting frame is made of metal, with a embossed white ral 9003 finish, processed by means of coating. The ingress protection degree is IP40; the total weight is of 4.9 kg.

The total absorbed power is 42 W. The power supply cable is included and features a 2.3 m lenght.

The device features protection class I and can be ceiling-mounted.

Compliant with the EN 60598-1 standard and its specific provisions.

Energy efficiency class

This product contains 2 light sources of energy efficiency class F.

Illuminotechnical Features

Light Output Ratio (LOR)	52 %
Source lumens	5671 lm
Delivered lumens	3002 lm
Consumption	42 W
Luminaire efficacy	71 lm/W
Colour temperature	3000 K
Standard Deviation of Colour Matching	3 Step MacAdam
Colour rendering index	90 Ra
Junction temperature (lighting fixture)	80
Standard Operating Ambient Temperature	25

LED Life / Failure Ratio

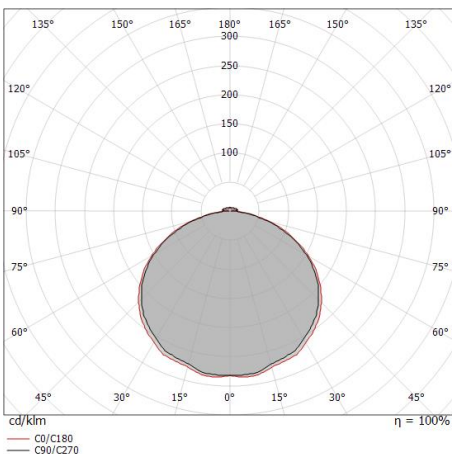
L80 B20 C0 80000h

UGR

UGR axial	17.2
UGR transversal	17.5
X=4H Y=8H	S=0.25H
Reflection factor	70/50/20

OPTICAL

Light distribution simmetry	Symmetrical
C0/C180 optics	124°



Distance [m]	Cone diameter [m]	Illuminance [lx]	E(0°)	E(C90)	E(C0)
0.5	1.87 1.93	3387	61.9°	177	168
1.0	3.75 3.86	847	61.9°	44	42
1.5	5.62 5.79	376	61.9°	20	19
2.0	7.49 7.72	212	61.9°	11	10
2.5	9.36 9.65	135	61.9°	7	7
3.0	11.24 11.58	94	61.9°	5	5

Distance [m] Cone diameter [m] Illuminance [lx]

— C0/C180 (Half-peak divergence: 125.2°)
 - - C90/C270 (Half-peak divergence: 123.8°)



Hinomaru_P | Pendant Luminaires | Accessories
8619



Dimmer
220-240V

Code
KIT0026



Dimmer
Radio-frequenza, 85-240V

Code
KIT0080