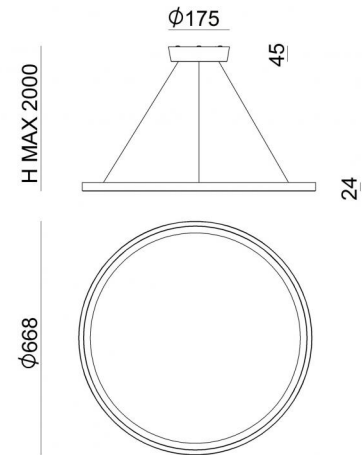




Pendant Luminaires | 220-240 V  
200 topLED 42 W DC - 42 W AC | CRI 90  
**8618**



Technical data	
Construction year	2018
Type	Surface
Installation position	Ceiling
Installation environment	Indoor
Light Source	LED
Optics	General Lighting
Light emission direction	downward
Power	42 W
Source lumens	5671 lm
Frequency	60 - 50 Hz
CCT / Tone	3000 K
Colour rendering index	90 Ra
C.C. / C.V.	AC
Safety class	1
IP	IP40
Glow wire test	850°
Direct mounting on normally flammable surfaces	Yes
CE	Yes
Driver included	Driver
Dimmable article	Phase cut
Directional	No
Tilting	No
Walk-over	No
Drive-over	No
Cable included	Yes
Cable length	2.3 m
Resin potting	No
Type of light emission	Double emission
Net weight	4.9 Kg
Electrostatic discharge protection	No
Surge protection	No

### Finishing casing

Material	metal
Processing	Electroplating

### Finishing diffuser

Material	PC
Colour	opaline

### Finishing mounting frame

Material	metal
Colour	Embossed white RAL 9003
Processing	Coating



Pendant Luminaires | 220-240 V | 200 topLED 42 W DC - 42 W AC | CRI 90 | Base  
**8618**

Double emission pendant luminaires for indoor application. The warm white LED light source with a general lighting light distribution is composed of 200 topLEDs with CCT of 3000 K and a CRI 90; the source luminous flux is 5671 lm, with a 135.0 lm/W nominal luminous efficacy.

The device body is made of metal, processed by means of electroplating; the diffuser is made of PC; the mounting frame is made of metal, with an embossed white ral 9003 finish, processed by means of coating. The ingress protection degree is IP40; the total weight is of 4.9 kg.

The total absorbed power is 42 W. The power supply cable is included and features a 2.3 m length.

The device features protection class I and can be ceiling-mounted.

Compliant with the EN 60598-1 standard and its specific provisions.

### Energy efficiency class

This product contains 2 light sources of energy efficiency class F.

### Illuminotechnical Features

Light Output Ratio (LOR)	52 %
Source lumens	5671 lm
Delivered lumens	3002 lm
Consumption	42 W
Luminaire efficacy	71 lm/W
Colour temperature	3000 K
Standard Deviation of Colour Matching	3 Step MacAdam
Colour rendering index	90 Ra
Junction temperature (lighting fixture)	80
Standard Operating Ambient Temperature	25

### LED Life / Failure Ratio

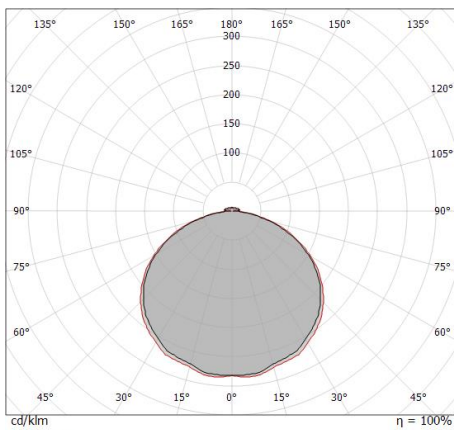
L80 B20 C0 80000h

### UGR

UGR axial	17.2
UGR transversal	17.5
X=4H   Y=8H	S=0.25H
Reflection factor	70/50/20

### OPTICAL

Light distribution symmetry	Symmetrical
C0/C180 optics	124°



Distance [m]	Cone diameter [m]	illuminance [lx]
0.5	1.87 1.93	E(0°) 3387 E(C90) 177 E(C0) 168
1.0	3.75 3.86	E(0°) 847 E(C90) 44 E(C0) 42
1.5	5.62 5.79	E(0°) 376 E(C90) 20 E(C0) 19
2.0	7.49 7.72	E(0°) 212 E(C90) 11 E(C0) 10
2.5	9.36 9.65	E(0°) 135 E(C90) 7 E(C0) 7
3.0	11.24 11.58	E(0°) 94 E(C90) 5 E(C0) 5

Distance [m]      Cone diameter [m]      illuminance [lx]

— C0/C180 (Half-peak divergence: 125.2°)  
 - - C90/C270 (Half-peak divergence: 123.8°)



Hinomaru\_P | Pendant Luminaires | Accessories  
**8618**



Dimmer  
220-240V

**Code**  
KIT0026



Dimmer  
Radio-frequenza, 85-240V

**Code**  
KIT0080