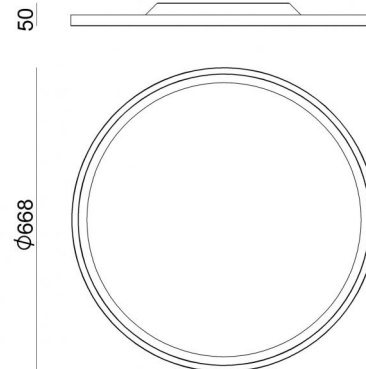




Ceiling Lights | 220-240 V  
200 topLED 42 W DC - 42 W AC | CRI 90  
**8611**



Technical data	
Construction year	2018
Type	Surface
Installation position	Wall lights - Ceiling
Installation environment	Indoor
Light Source	LED
Optics	General Lighting
Light emission direction	downward
Power	42 W
Source lumens	5671 lm
Frequency	60 - 50 Hz
CCT / Tone	3000 K
Colour rendering index	90 Ra
C.C. / C.V.	AC
Safety class	1
IP	IP40
Glow wire test	850°
Direct mounting on normally flammable surfaces	Yes
CE	Yes
Driver included	Driver
Dimmable article	Phase cut
Directional	No
Tilting	No
Walk-over	No
Drive-over	No
Cable included	No
Resin potting	No
Type of light emission	Double emission
Net weight	6.8 Kg
Electrostatic discharge protection	No
Surge protection	No

Finishing casing	
Material	metal
Colour	Rose Gold
Processing	Electroplating

Finishing diffuser	
Material	PC
Colour	opaline

Finishing mounting frame	
Material	metal
Colour	translucent
Processing	Washing



Ceiling Lights | 220-240 V | 200 topLED 42 W DC - 42 W AC | CRI 90 | Base  
8611

Double emission ceiling lights for indoor application. The warm white LED light source with a general lighting light distribution is composed of 200 topLED LEDs with CCT of 3000 K and a CRI 90; the source luminous flux is 5671 lm, with a 135.0 lm/W nominal luminous efficacy.

The device body is made of metal and features a rose gold finish, processed by means of electroplating; the diffuser is made of PC; the mounting frame is made of metal, with a translucent finish, processed by means of washing. The ingress protection degree is IP40; the total weight is of 6.8 kg.

The total absorbed power is 42 W.

The device features protection class I and can be wall lights or ceiling-mounted.

Compliant with the EN 60598-1 standard and its specific provisions.

### Energy efficiency class

This product contains 2 light sources of energy efficiency class F.

### Illuminotechnical Features

Light Output Ratio (LOR)	51 %
Source lumens	5671 lm
Delivered lumens	2898 lm
Consumption	42 W
Luminaire efficacy	69 lm/W
Colour temperature	3000 K
Standard Deviation of Colour Matching	3 Step MacAdam
Colour rendering index	90 Ra
Junction temperature (lighting fixture)	80
Standard Operating Ambient Temperature	25

### LED Life / Failure Ratio

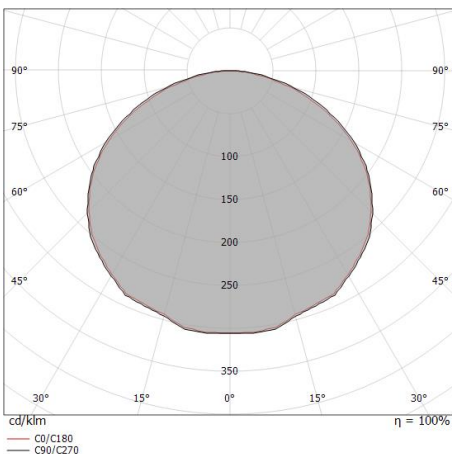
L80 B20 C0 80000h

### UGR

UGR axial	18
UGR transversal	17.7
X=4H   Y=8H	S=0.25H
Reflection factor	70/50/20

### OPTICAL

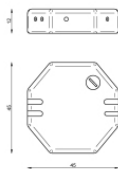
Light distribution symmetry	Symmetrical
C0/C180 optics	123°



Distance [m]	Cone diameter [m]	illuminance [lx]
0.5	1.91 1.86	E(0°) 3543 E(C90) 177 E(C0) 189
1.0	3.83 3.71	E(0°) 886 E(C90) 44 E(C0) 47
1.5	5.74 5.57	E(0°) 394 E(C90) 20 E(C0) 21
2.0	7.65 7.43	E(0°) 221 E(C90) 11 E(C0) 12
2.5	9.56 9.29	E(0°) 142 E(C90) 7 E(C0) 8
3.0	11.48 11.14	E(0°) 98 E(C90) 5 E(C0) 5

Distance [m]      Cone diameter [m]      illuminance [lx]

— C0/C180 (Half-peak divergence: 123.4°)  
— C90/C270 (Half-peak divergence: 124.8°)



Dimmer  
220-240V

**Code**  
KIT0026



Dimmer  
Radio-frequenza, 85-240V

**Code**  
KIT0080