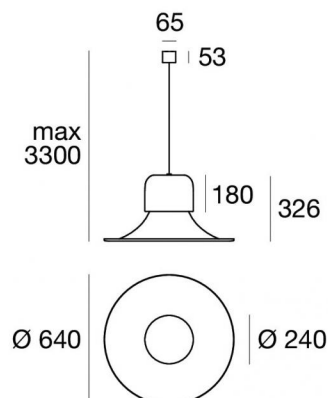


# Campana



Pendant Luminaires | 220-240 V  
1 topLED 28 W DC - 31 W AC | CRI 90  
**9300**



## Technical data

Construction year	2021
Type	Pendant Luminaires
Installation position	Ceiling
Installation environment	Indoor
Light Source	LED
Optics	General Lighting
Light emission direction	downward
Power	28 W
Source lumens	3234 lm
Frequency	50 - 60 Hz
CCT / Tone	2700 K
Colour rendering index	90 Ra
C.C. / C.V.	AC
Safety class	1
IP	IP20
Glow wire test	650°
Direct mounting on normally flammable surfaces	Yes
CE	Yes
Driver included	Driver
Dimmable article	DALI-2 - PUSH DIM
Directional	No
Tilting	No
Walk-over	No
Drive-over	No
Cable included	Yes
Cable length	3 m
Resin potting	No
Type of light emission	Single emission
Net weight	3.600 Kg
Electrostatic discharge protection	No
Surge protection	No

## Finishing casing

Material	Aluminium
Processing	Coating

## Finishing diffuser

Material	PMMA
Colour	opaline

## Finishing mounting frame

Material	metal
Processing	Coating

Pendant Luminaires | 220-240 V | 1 topLED 28 W DC - 31 W AC | CRI 90 | Base 9300

Single emission pendant luminaires for indoor application. The super warm LED light source with a general lighting light distribution is composed of 1 topLEDs with CCT of 2700 K and a CRI 90; the source luminous flux is 3234 lm, with a 115.5 lm/W nominal luminous efficacy.

The device body is made of aluminium, processed by means of coating; the diffuser is made of pmma; the mounting frame is made of metal, processed by means of coating. The ingress protection degree is IP20; the total weight is of 3.600 kg.

The total absorbed power is 31 W. The power supply cable is included and features a 3 m lenght.

The device features protection class I and can be ceiling-mounted.

Compliant with the EN 60598-1 standard and its specific provisions.

### Energy efficiency class

This product contains a light source of energy efficiency class F.

### Illuminotechnical Features

Light Output Ratio (LOR)	57 %
Source lumens	3234 lm
Delivered lumens	1848 lm
Consumption	31 W
Luminaire efficacy	59 lm/W
Colour temperature	2700 K
Standard Deviation of Colour Matching	3 Step MacAdam
Colour rendering index	90 Ra
Junction temperature (lighting fixture)	80
Standard Operating Ambient Temperature	25

### LED Life / Failure Ratio

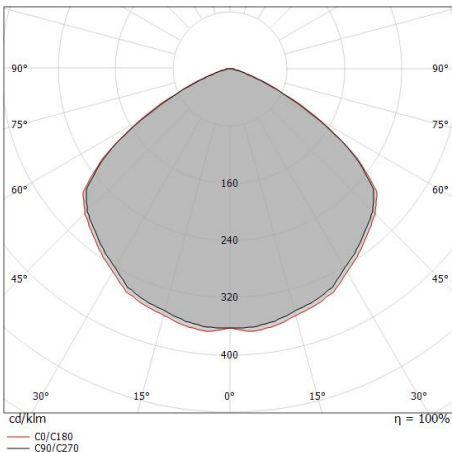
L70 B20 C0 72500h

### UGR

UGR axial	25.3
UGR transversal	25.4
X=4H   Y=8H	S=0.25H
Reflection factor	70/50/20

### OPTICAL

Light distribution simmetry	Symmetrical
C0/C180 optics	114°



Distance [m]	Cone diameter [m]	illuminance [lx]
0.5	1.55 1.56	E(0°) 2676 E(C90) 57.2° 214 E(C0) 57.3° 216
1.0	3.10 3.12	E(0°) 669 E(C90) 57.2° 54 E(C0) 57.3° 54
1.5	4.66 4.67	E(0°) 297 E(C90) 57.2° 24 E(C0) 57.3° 24
2.0	6.21 6.23	E(0°) 167 E(C90) 57.2° 13 E(C0) 57.3° 14
2.5	7.76 7.79	E(0°) 107 E(C90) 57.2° 9 E(C0) 57.3° 9
3.0	9.31 9.35	E(0°) 74 E(C90) 57.2° 6 E(C0) 57.3° 6

— C0/C180 (Half-peak divergence: 114.6°)  
- - C90/C270 (Half-peak divergence: 114.4°)