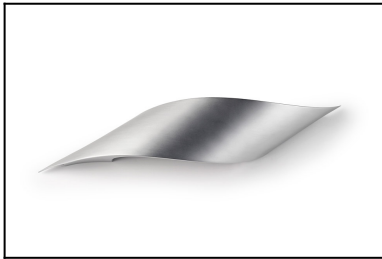
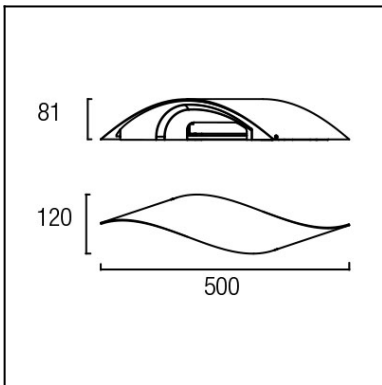


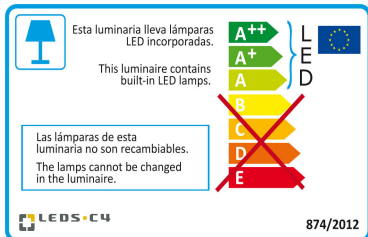
Design by Ramon Valls



The photograph may not match the reference exactly. Please read the product description to identify the finish.



Download photometric file .ldt / .ies



Click on image to download energy label

TECHNICAL CHARACTERISTICS

Type:	Wall fixture
IP Protection degrees:	IP20
Light source 1:	10 x LED Cree 10W Warm White - 3000K 850 lm ^(N) CRI 80
Total power consumption (W):	12.9
Voltage / Frequency:	110-240V/50-60Hz
Warranty (Years):	2
Option to extend the guarantee (Years):	5
Units per box:	6
Net Weight (Kg):	0.875
EAN:	8435381410636



MATERIALS / FINISHES

Structure material:	Aluminium	Diffuser material:	Methacrylate
Structure finish:	Satin	Diffuser finish:	Tinted

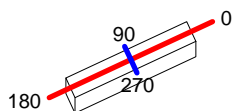
GEAR

Multi-voltage electronic gear included (110-240 V / 50-60 Hz)

Luminaire		Measur.		Lamp		
Code	05-1822-AF-AF	Code	05-1822-AF-AF	Code	05-1822-BW-BW	
Name	Aplique 10 led x1W CREE blanco	Name	Aplique 10 led x1W CREE blanco	Number	1	
Line	Eulumdat	Date	30-06-2014	Position		
Efficiency	100.00%	Coordinate system	CG	Total Flux	725.02 lm	
Maximum value	188.54 cd	Position	C=90.00 G=5.00	Asymmetrical		
Rectangular Luminaire	Length	81 mm	Width	500 mm	Height	120 mm
Rectangular Luminous Area	Length	25 mm	Width	130 mm	Height	120 mm
Horizontal Luminous Area	0.003250 m2	Emitting area on Plane 180°		0.003000 m2		
Emitting area on Plane 0°	0.003000 m2	Emitting area on Plane 270°		0.015600 m2		
Emitting area on Plane 90°	0.015600 m2	Glare area at 76°		0.003697 m2		
Symmetry Type	Asymmetrical	Maximum Gamma Angle		180		
Measurement Distance	0.00	Measurement Flux		725.02 lm		
Operator	Asselum T2	Source voltage				
Temperature	25.00 °C	Source current				
Humidity	60.00 %	Photocell				
Notes						

Luminaire Lamps						
Line	Code	Name	Flux [lm]	Pow. [W]	Q.ty	
Eulumdat	05-1822-BW-BW	05-1822-BW-BW - 10.00 W	725.02	10.00	1	
C.I.E.	59 86 96 50 100	D DIN 5040	C41			
F UTE	0.50 D + 0.50 T	B NBN	BZ 3 / 4 / BZ 4			

81mm x 500mm



C Halfplanes

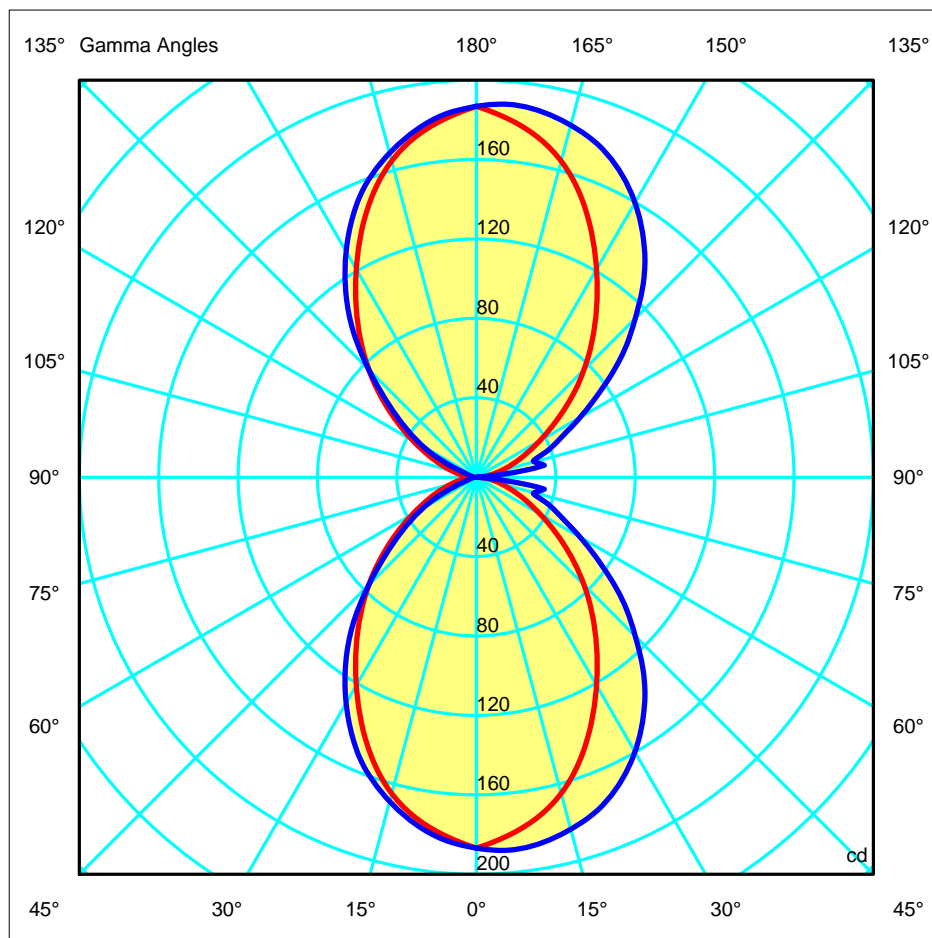
180.0 — 0.0

270.0 — 90.0

ULOR 50.00 %

DLOR 50.00 %

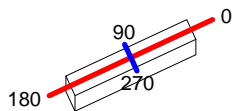
RN 50.00 %



Luminaire		Measur.		Lamp		
Code	05-1822-BW-BW	Code	05-1822-BW-BW	Code	05-1822-BW-BW	
Name	Aplique 10 led x1W CREE blanco	Name	Aplique 10 led x1W CREE blanco	Number	1	
Line	Eulumdat	Date	05-07-2013	Position		
Efficiency	100.00%	Coordinate system	CG	Total Flux	725.02 lm	
Maximum value	188.54 cd	Position	C=90.00 G=5.00	Asymmetrical		
Rectangular Luminaire	Length	81 mm	Width	500 mm	Height	120 mm
Rectangular Luminous Area	Length	25 mm	Width	130 mm	Height	120 mm
Horizontal Luminous Area	0.003250 m2	Emitting area on Plane 180°		0.003000 m2		
Emitting area on Plane 0°	0.003000 m2	Emitting area on Plane 270°		0.015600 m2		
Emitting area on Plane 90°	0.015600 m2	Glare area at 76°		0.003697 m2		
Symmetry Type	Asymmetrical	Maximum Gamma Angle		180		
Measurement Distance	0.00	Measurement Flux		725.02 lm		
Operator	Asselum T2	Source voltage				
Temperature	25.00 °C	Source current				
Humidity	60.00 %	Photocell				
Notes						

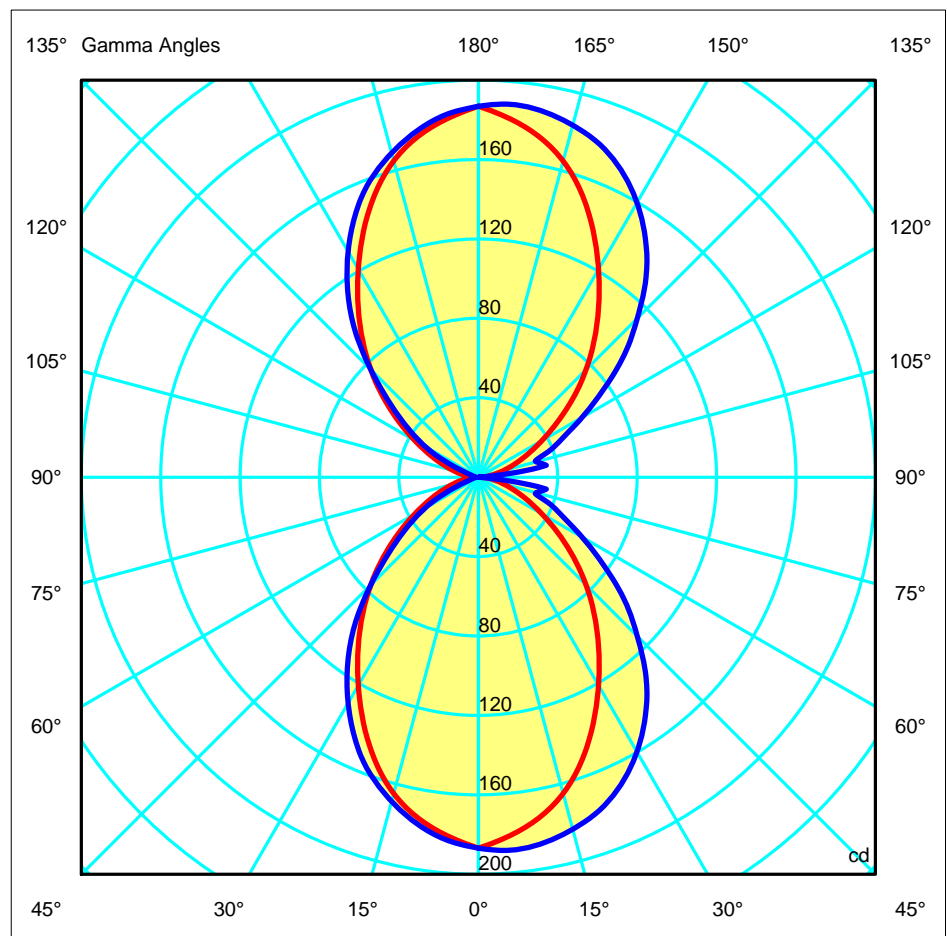
Luminaire Lamps						
Line	Code	Name	Flux [lm]	Pow. [W]	Q.ty	
Eulumdat	05-1822-BW-BW	05-1822-BW-BW - 10.00 W	725.02	10.00	1	
C.I.E.	59 86 96 50 100	D DIN 5040	C41			
F UTE	0.50 D + 0.50 T	B NBN	BZ 3 / 4 / BZ 4			

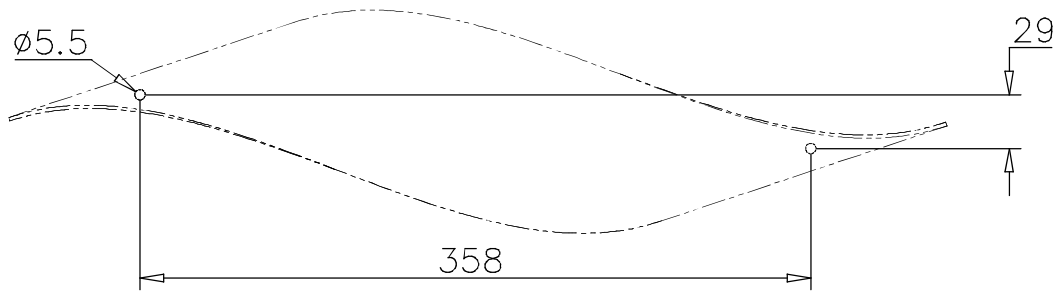
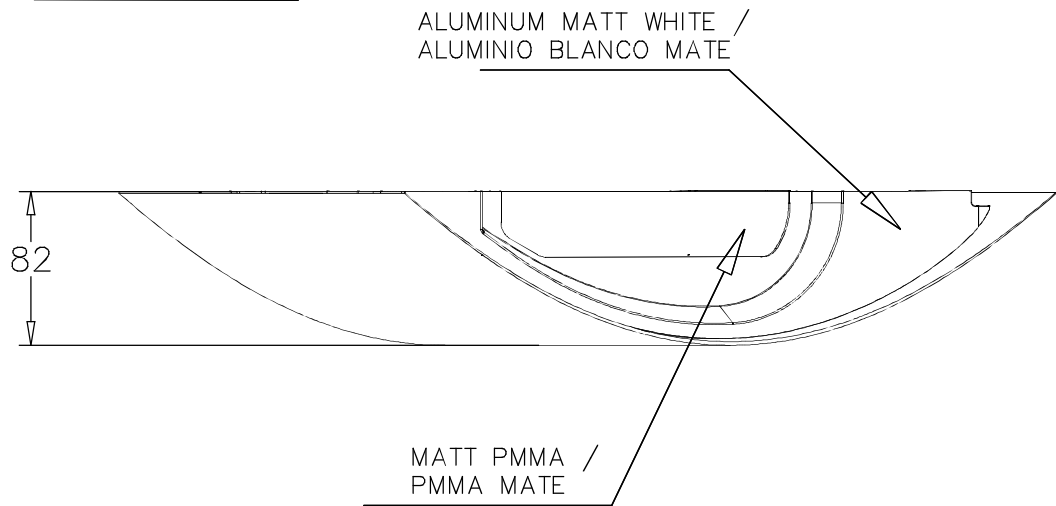
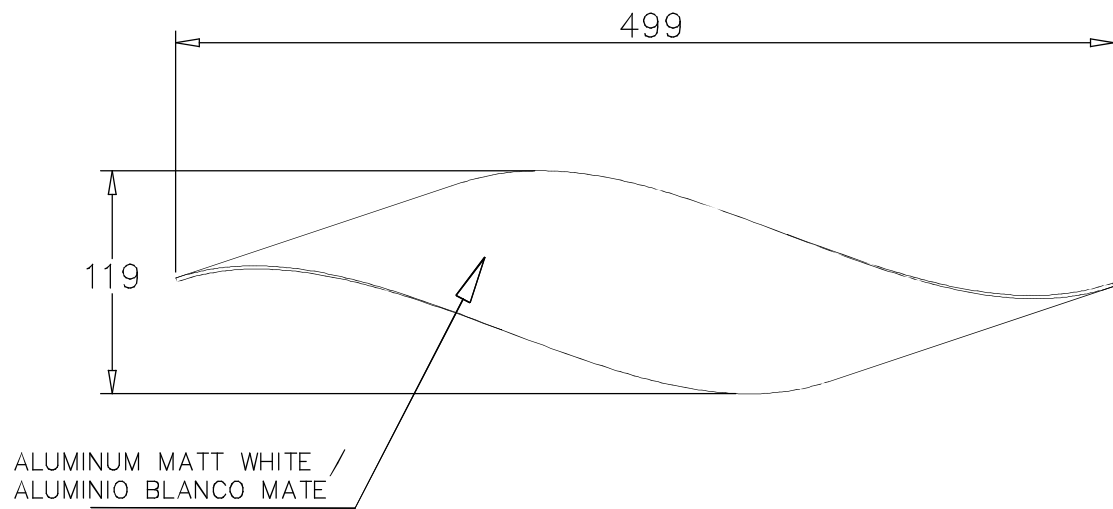
81mm x 500mm

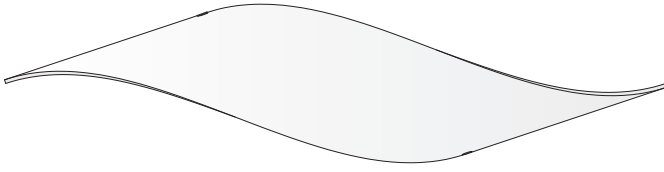


C Halfplanes
 180.0 — 0.0
 270.0 — 90.0

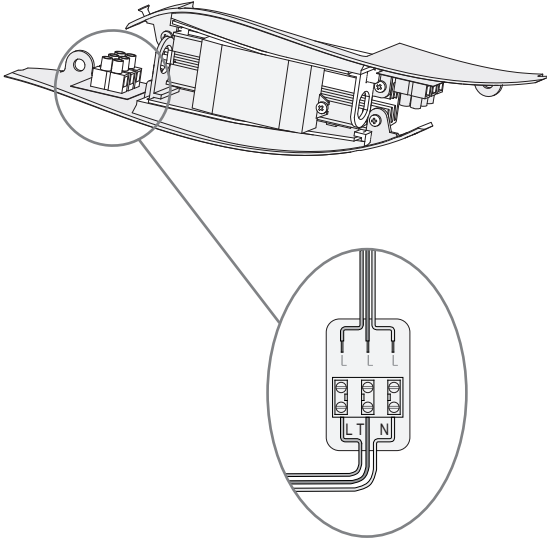
ULOR 50.00 %
 DLOR 50.00 %
 RN 50.00 %



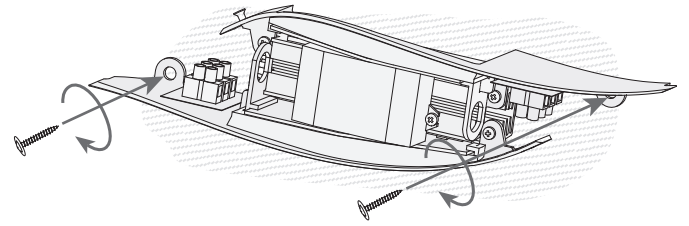




1

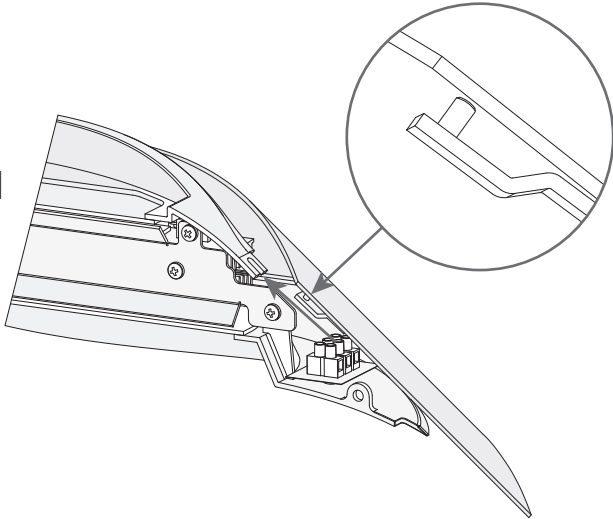


2

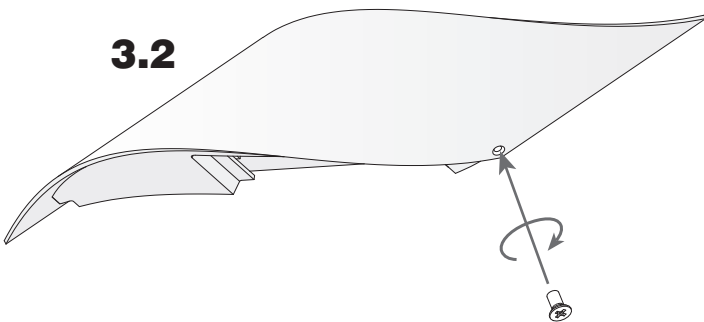


3

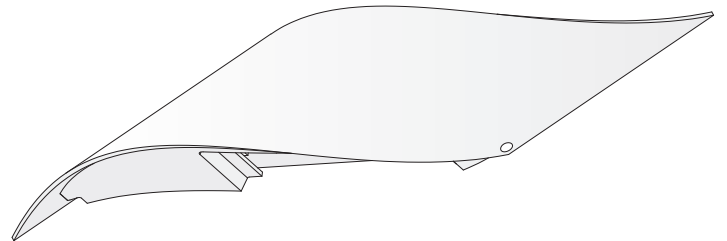
3.1

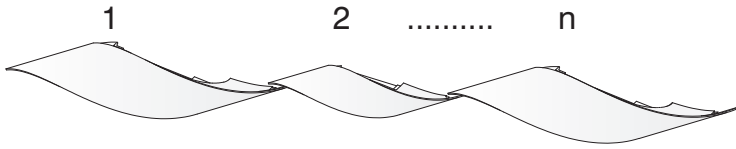


3.2

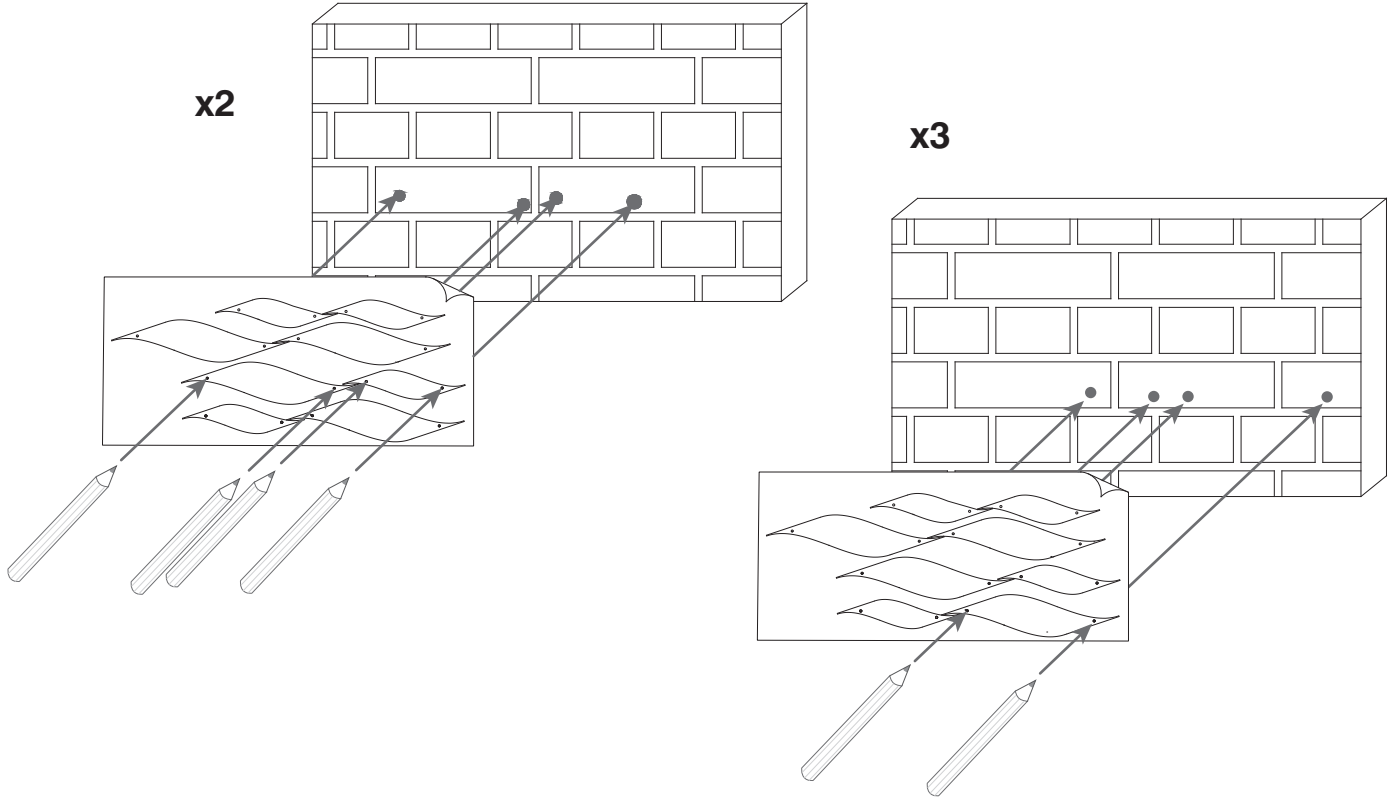


4

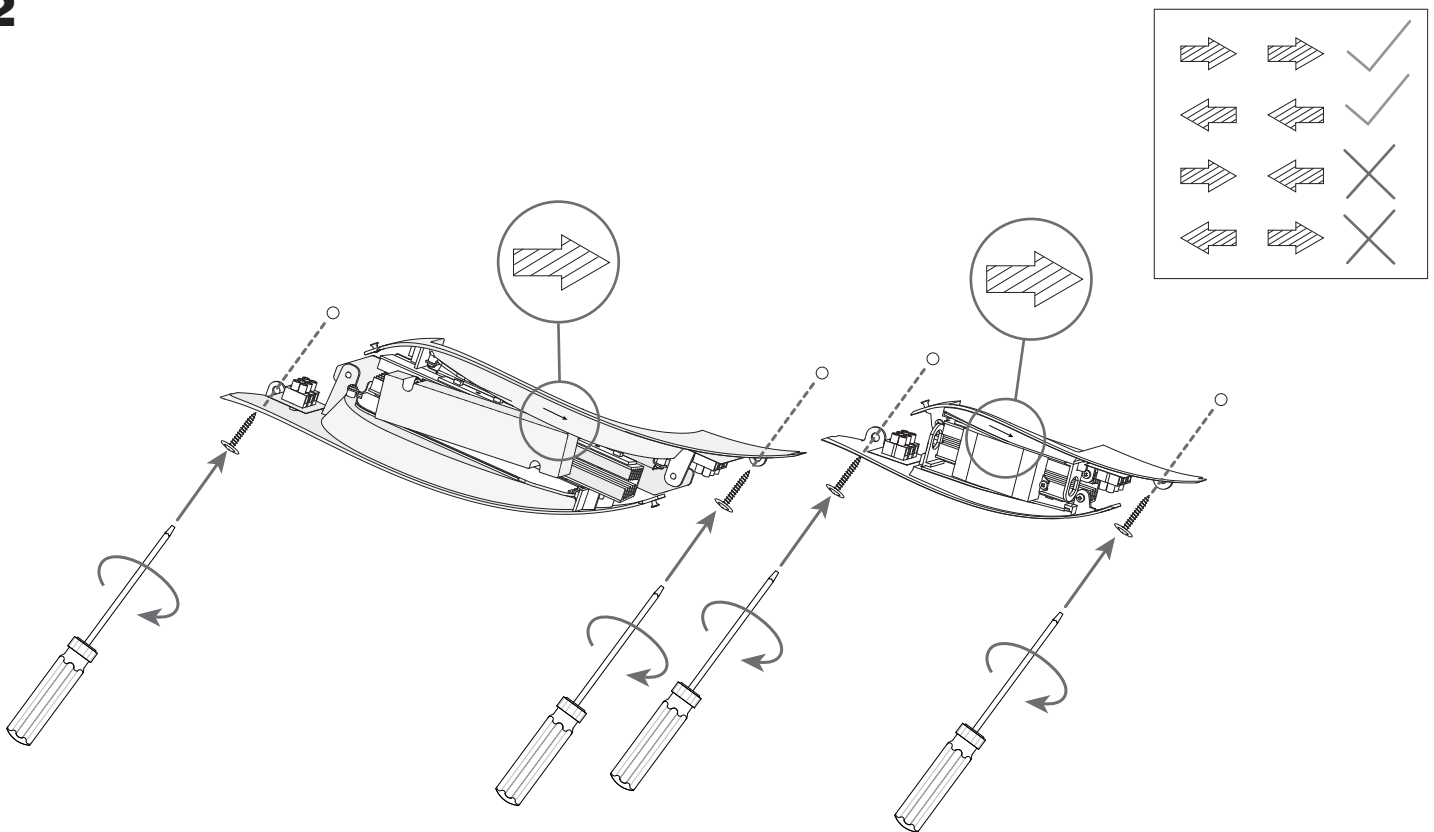


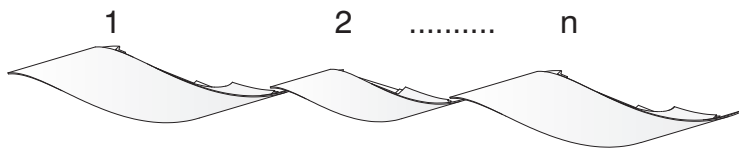


1

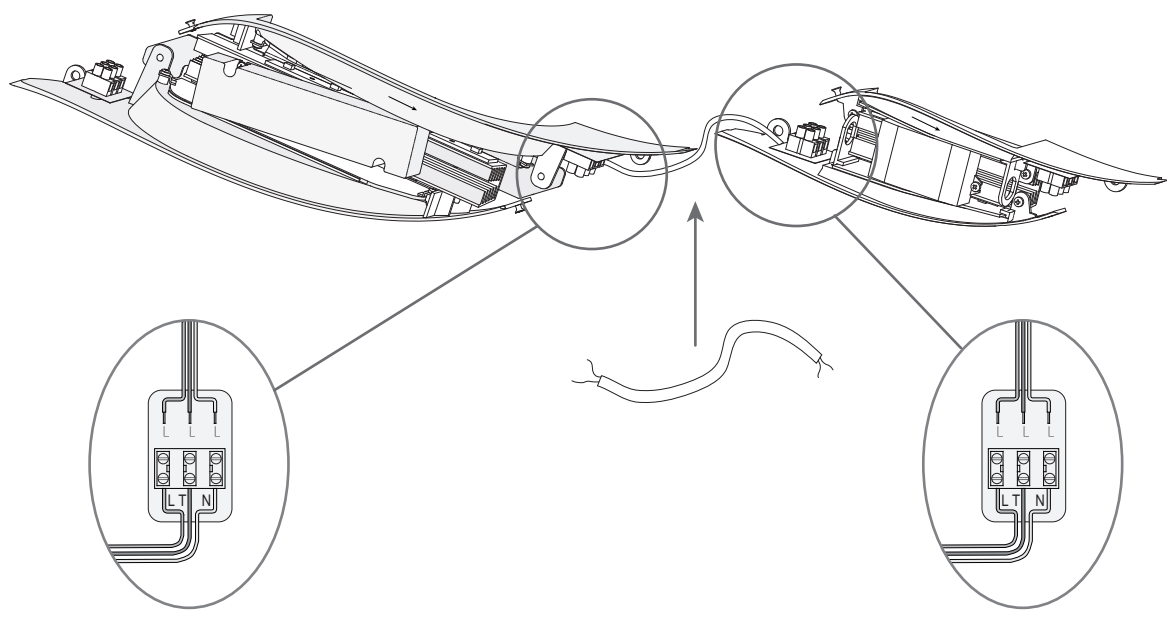


2





3



4

