

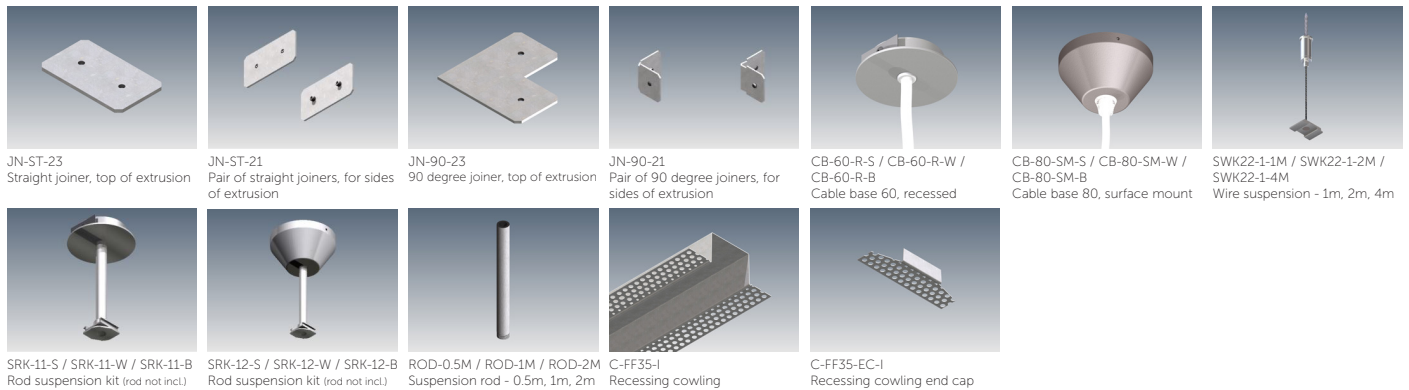
Flat Freddie 35 is a versatile profile suitable for a huge range of applications. Designed in conjunction with our Spec Series RGB+Twin White LED strip, Flat Freddie 35 offers a unique combination of a powerful white light with an independent RGB light - great for residential or hospitality applications.

MOUNTING OPTIONS			DIFFUSER OPTIONS			SUPER SERIES LED STRIP OPTIONS		
Surface mounted			Satin			Lumens per metre	Watts per metre	Colour temp.
Recessed						310lm		2700K
Rod suspended						330lm	3W	3000K
Wire suspended						345lm		4000K
						760lm		2700K
						800lm	7W	3000K
						840lm		4000K
						1520lm		2700K
						1600lm	14W	3000K
						1680lm		4000K
						1955lm		2700K
						2060lm	20W	3000K
						2160lm		4000K
						2400lm		2700K
						2530lm	26W	3000K
						2650lm		4000K

SPEC SERIES RGB+TWIN WHITE LED STRIP OPTIONS		
Lumens per metre	Watts per metre	Colour temp.
1990lm white	15W RGB, 25W White	3000K
2100lm white		4000K

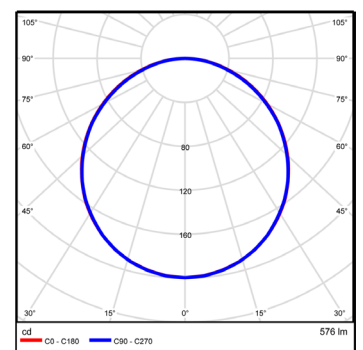
- LED strip options vary depending on region - please consult your local distributor for more information. Other LED strip options are available on request, including IP54 and IP67.
- All lumen values refer to the bare LED strip. Losses through diffuser/profile are not represented. Consult photometric data.
- 5 year manufacturer's warranty on Super Series & Spec Series LED strip.

ACCESSORIES



ADDITIONAL INFORMATION

Applications Bars, restaurants, kitchens, living rooms, dining rooms, reception counters, lobbies.
 Installation Interior or exterior (with IP67 rated LED strip).
 Materials Extruded aluminium body, PMMA diffuser, aluminium end caps.
 Finish Natural silver anodised or custom powder coat colours.
 Light source LED ribbon strip.
 Power supply 24V DC - remote driver options ranging from 6W up to 320W.
 Dimmable Various options available, please enquire.



Polar curve for 2250 lumen LED strip with satin diffuser.

