

BASIC Technopolymer Wall fixture

Designer: Josep Patsí



Description

Wall light for outdoor use.

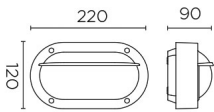
For frontal lighting and downlighting. Suitable for installation in marine environments. Structure material: Polypropylene. Structure finish: Urban grey. Blades finishes: NA. Diffuser material: Polycarbonate. Diffuser finish: Semitransparent. UV protection. Warranty: 5 Years.

Finish

Urban grey
Semitransparent
NA

Material

Polypropylene
Polycarbonate



TECHNICAL CHARACTERISTICS

Light source

Light source: LED SUNPU
Output (W): 7.5W
Color temperature: LED warm-white 3000K
CRI: 80
Photobiological risk: RG0
Real Lumen: 371
Qty Leds: 49
Lm/Real W: 53
Life Time: 50.000h L70B30
Bin / Grup: W9 o W10
MacAdam steps: 3
UGR: 13.6

GEAR

Brand: EAGLERISE
Gear included: Yes, electronic
Voltage / Frequency: 100-240 VAC
Power Factor: 0.80

Luminaire

Double cable exit: No
Drainage: No
Seaside: Yes
Uv Protection: Yes
Warranty: 5 Years

Logistics

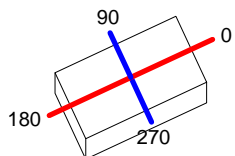
Energy Efficiency: LED A++
EAN Code: 8435381462932
Net Weight (Kg): 0.475
Weight in Kg (packaged): 0.605
Packing: 230 x 135 x 95
Masterbox: 12

The photograph may not match the reference exactly. Please read the product description to identify the finish.

Luminaire		Measur.		Lamp		
Code	05-9544	Code	05-9544	Code	GENIE ESAVER 18W/827	
Name	Aplique 18W fluor E27 dif opal	Name	Aplique 18W fluor E27 dif opal	Number	1	
Line	Eulumdat	Date	15-11-2011	Position		
Efficiency	11.62%	Coordinate system	CG	Total Flux	1100.00 lm	
Maximum value	43.82 cd	Position	C=90.00 G=20.00	Sym. on planes	270-90	
Rectangular Luminaire	Length	120 mm	Width	220 mm	Height	90 mm
Rectangular Luminous Area	Length	62 mm	Width	180 mm	Height	25 mm
Horizontal Luminous Area	0.011160 m2	Emitting area on Plane 180°	0.001550 m2			
Emitting area on Plane 0°	0.001550 m2	Emitting area on Plane 270°	0.004500 m2			
Emitting area on Plane 90°	0.004500 m2	Glare area at 76°	0.004204 m2			
Symmetry Type	Sym. on planes 270-90	Maximum Gamma Angle	180			
Measurement Distance	0.00	Measurement Flux	1100.00 lm			
Operator	Asselum T2	Source voltage				
Temperature	25.00 °C	Source current				
Humidity	60.00 %	Photocell				
Notes						

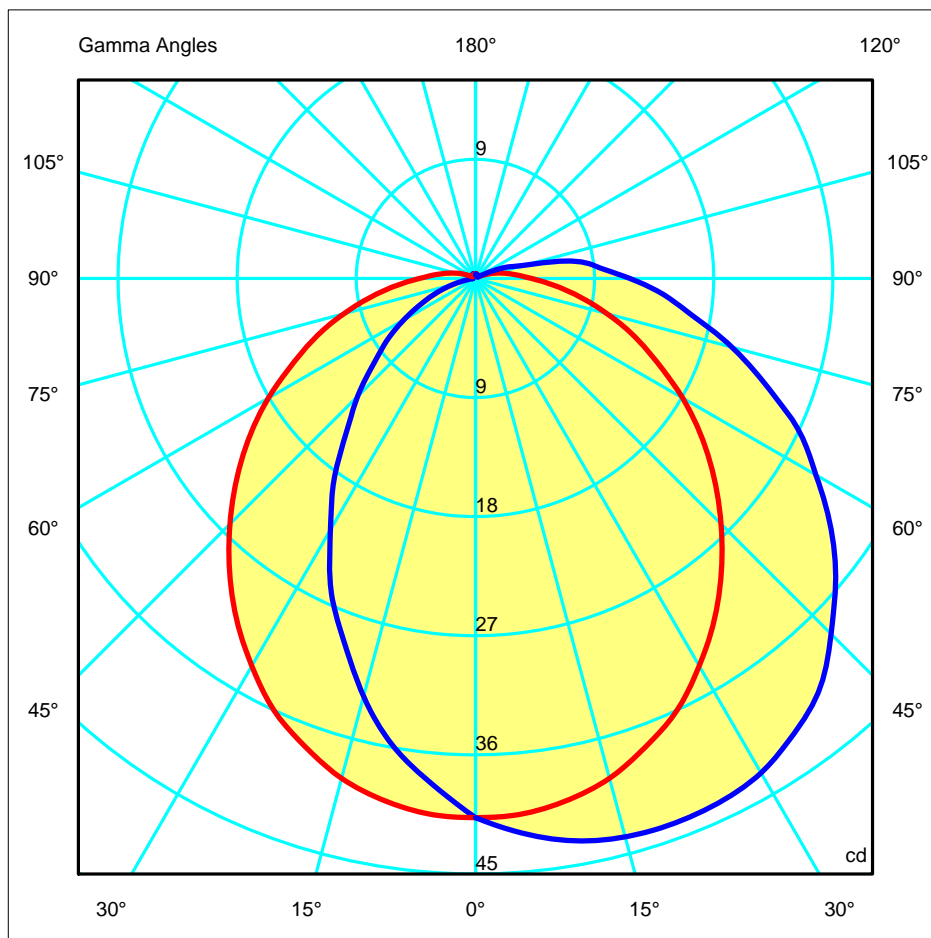
Luminaire Lamps					
Line	Code	Name	Flux [lm]	Pow. [W]	Q.ty
Eulumdat	GENIE ESAVER 18W/827	GENIE ESAVER 18W/827 - 18.00 W	1100.00	18.00	1
C.I.E.	44 73 90 94 12	D DIN 5040	A31		
F UTE	0.11 E + 0.01 T	B NBN	BZ 5		

120mm x 220mm



C Halfplanes
 270.0 ————
 180.0 ———— 0.0
 ———— 90.0

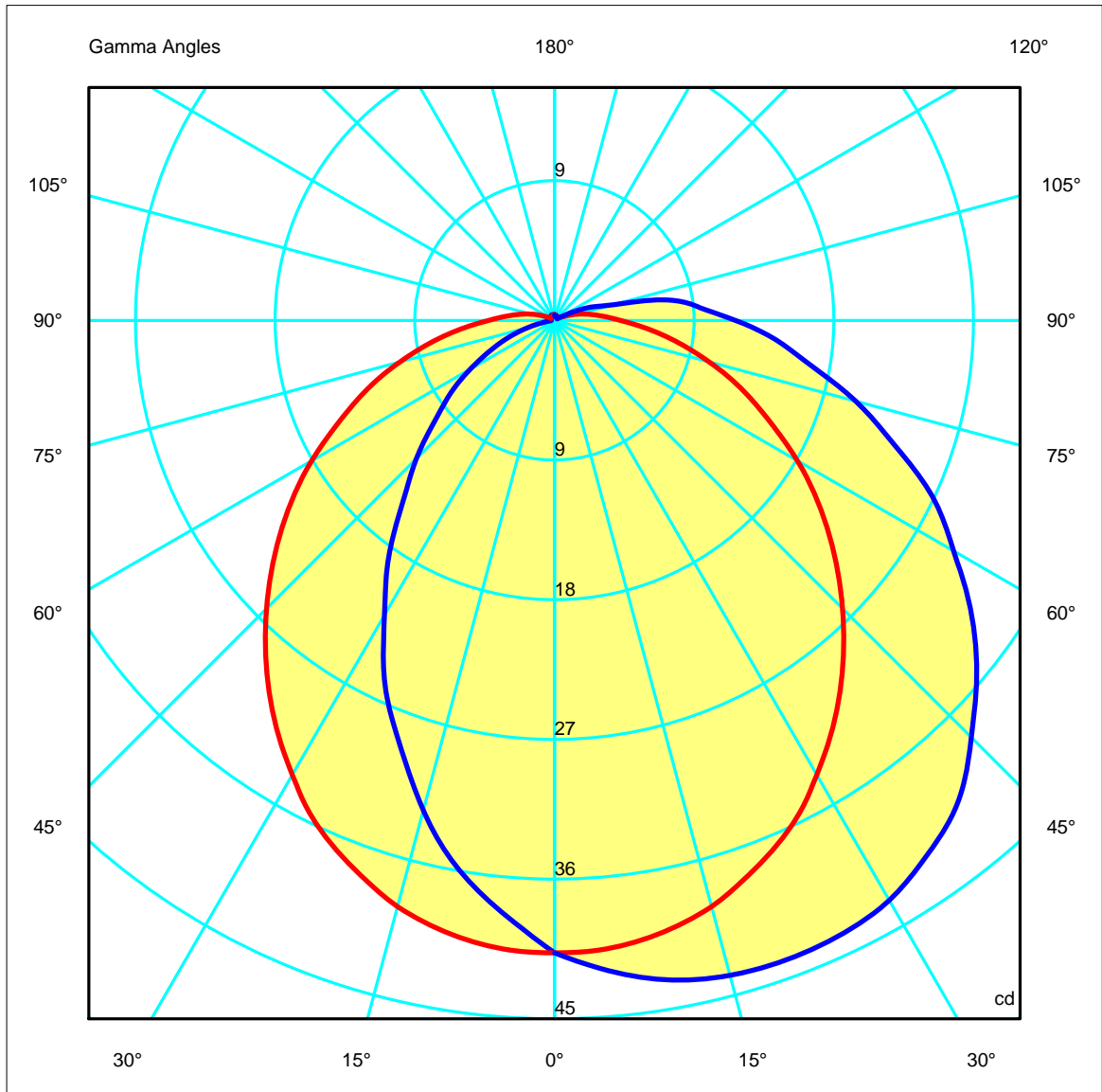
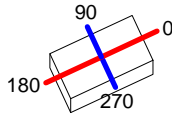
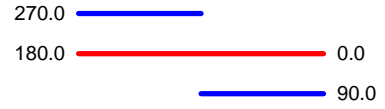
ULOR 0.70 %
 DLOR 10.92 %
 RN 6.04 %



Luminaire		Measur.		Lamp	
Code	05-9544	Code	05-9544	Code	GENIE ESAVER 18W/827
Name	Aplique 18W fluor E27 dif opal	Name	Aplique 18W fluor E27 dif opal	Number	1
Line	Eulumat	Date	15-11-2011	Position	
Efficiency	11.62%	Coordinate system	CG	Total Flux	1100.00 lm

120mm x 220mm

C Halfplanes



Luminaire

 Code 05-9544
 Name Aplique 18W fluor E27 dif opal
 Line Eulumdat

Measuram.

 Code 05-9544
 Name Aplique 18W fluor E27 dif opal
 Date 15-11-2011

Lamp

 Code GENIE ESAVER 18W/827
 Number 1
 Position

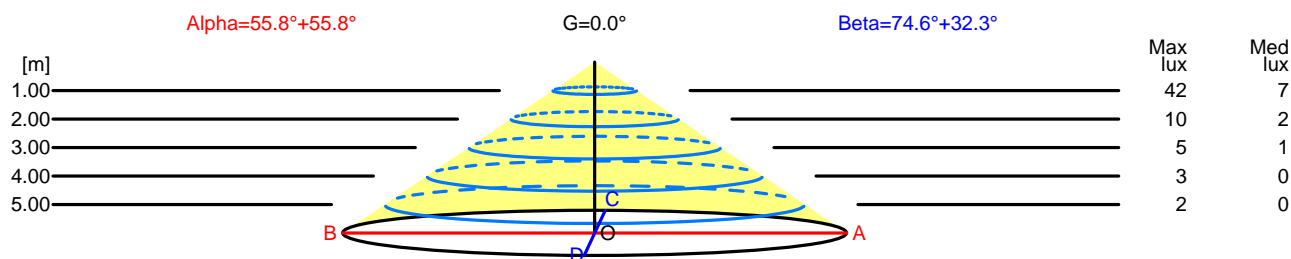
Efficiency	11.62%	Coordinate system	CG	Total Flux	1100.00 lm
------------	--------	-------------------	----	------------	------------

Width at 50.00 % of Max Intensity

H[m]	1.00	2.00	3.00	4.00	5.00	H[m]	1.00	2.00	3.00	4.00	5.00
OA	1.47	2.95	4.42	5.90	7.37	OC	3.62	7.24	10.86	14.48	18.10
OB	1.47	2.95	4.42	5.90	7.37	OD	0.63	1.26	1.90	2.53	3.16

Luminous Intensities [cd]

	0	5	15	25	35	45	55	65	75	85
OA	40.74	40.62	39.10	36.02	31.48	26.24	20.83	15.23	10.30	5.97
OB	40.74	40.62	39.10	36.02	31.48	26.24	20.83	15.23	10.30	5.97
OC	40.74	42.10	43.68	43.66	41.95	37.98	32.78	26.87	20.09	14.31
OD	40.74	38.30	32.67	25.86	18.64	12.60	8.17	4.51	1.77	0.27



H[m]	D[m]	Max lux	Med lux	Alpha=55.8°+55.8°	G=0.0	
1.00	2.95	42	7			
2.00	5.90	10	2			
3.00	8.84	5	1			
4.00	11.79	3	0			
5.00	14.74	2	0			

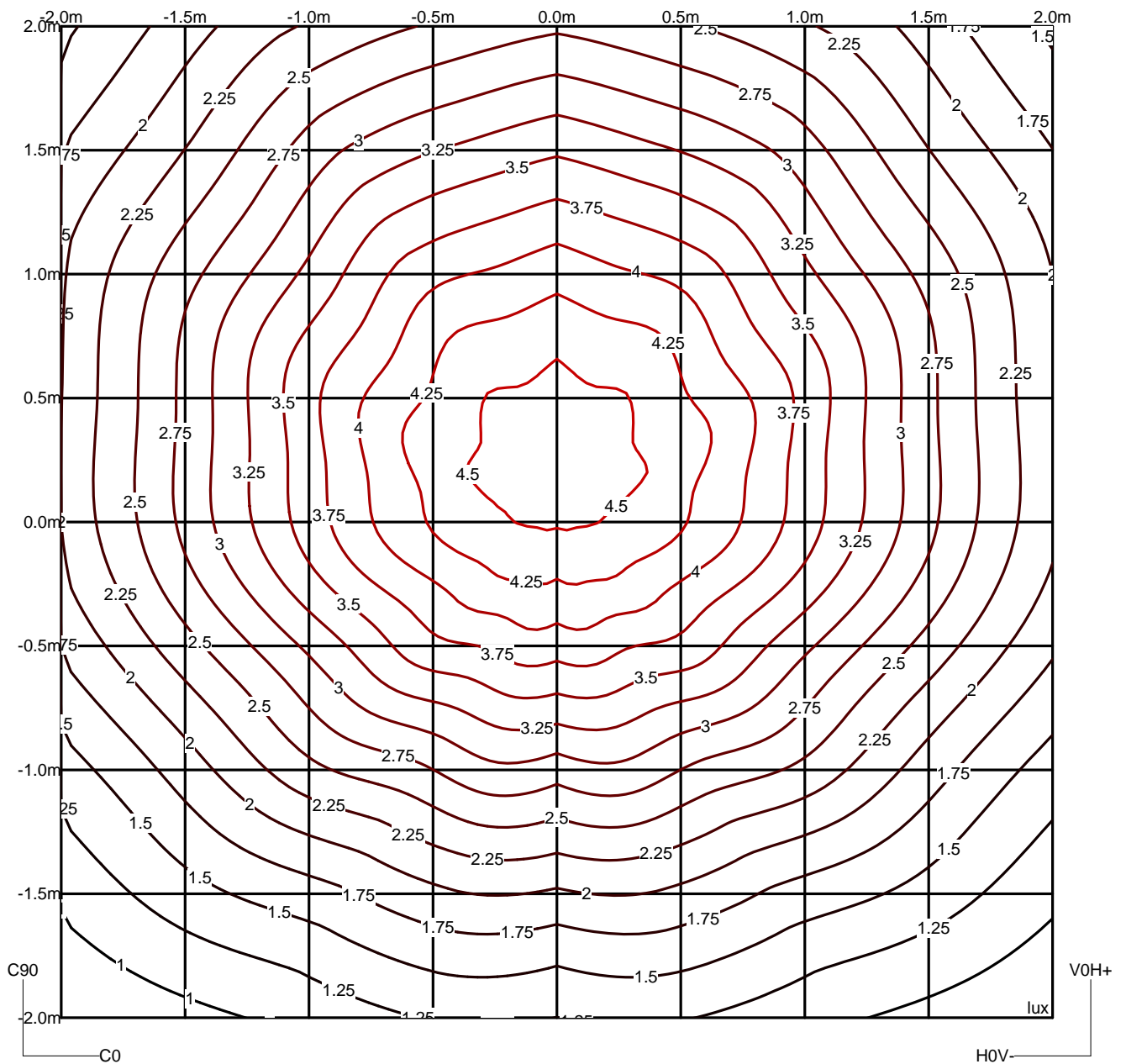
H[m]	D[m]	Max lux	Med lux	Beta=32.3°+74.6°	G=0.0	
1.00	4.25	42	7			
2.00	8.51	10	2			
3.00	12.76	5	1			
4.00	17.01	3	0			
5.00	21.26	2	0			

Luminaire Code 05-9544 Name Aplique 18W fluor E27 dif opal Line Eulumdat	Measuram. Code 05-9544 Name Aplique 18W fluor E27 dif opal Date 15-11-2011	Lamp Code GENIE ESAVER 18W/827 Number 1 Position
--	--	--

Efficiency 11.62%	Coordinate system CG	Total Flux 1100.00 lm
-------------------	----------------------	-----------------------

Isolux (Floor)

Luminaire position X=0.00m Y=0.00m Z=3.00m

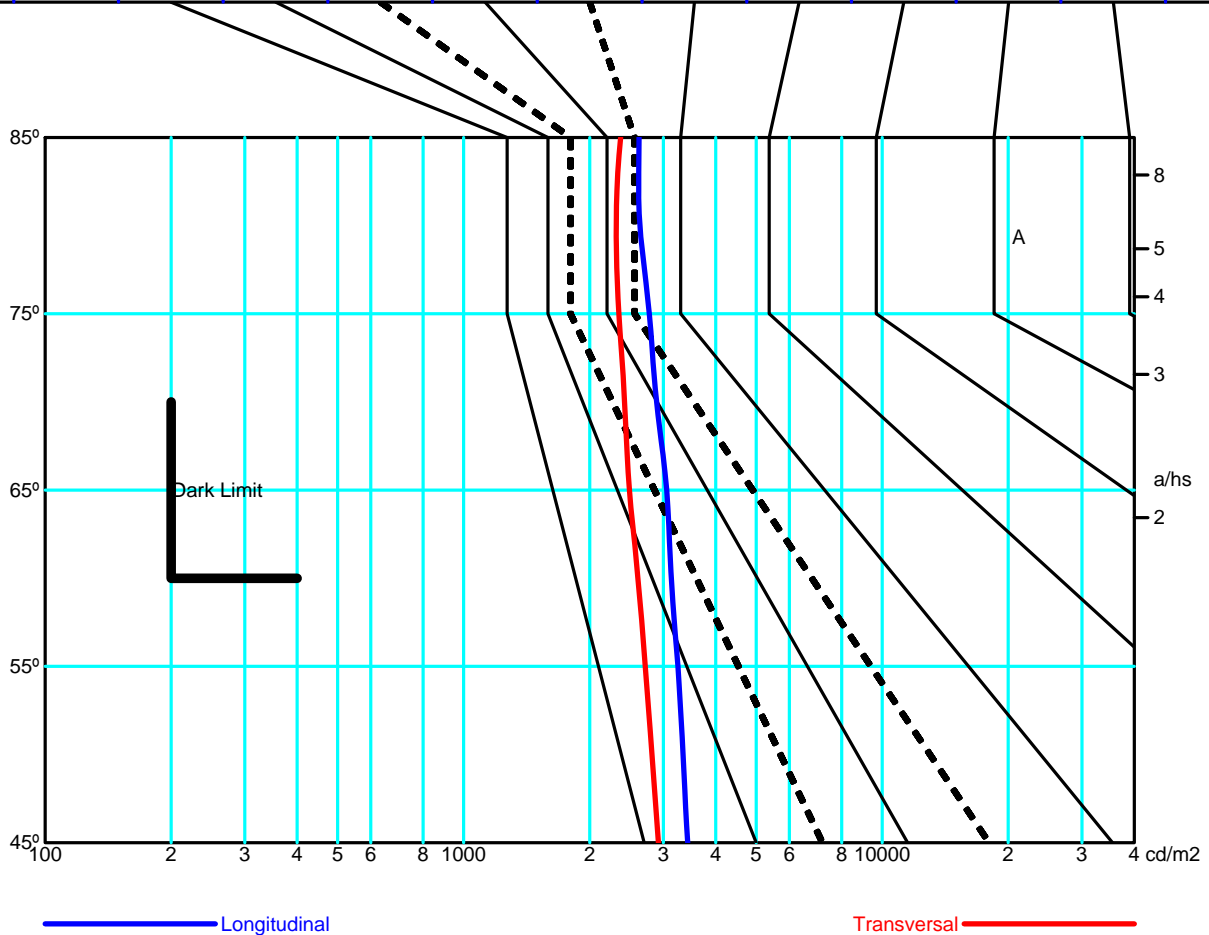


Luminaire	Measur.	Lamp
Code 05-9544	Code 05-9544	Code GENIE ESAVER 18W/827
Name Aplique 18W fluor E27 dif opal	Name Aplique 18W fluor E27 dif opal	Number 1
Line Eulumdat	Date 15-11-2011	Position

Efficiency 11.62%	Coordinate system CG	Total Flux 1100.00 lm
-------------------	----------------------	-----------------------

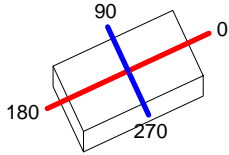
	Average Luminance [cd/m ²]										
	0.0°	45°	50°	55°	60°	65°	70°	75°	80°	85°	
	2920	2818	2716	2610	2488	2424	2348	2315	2372	---	
90.0°	3430	3342	3249	3133	3055	2890	2777	2637	2624	---	

Flush mounted or longitudinal view												
		Illumination(lx)										
A	A	2000	1000	750	500		<300					1.15
B	1		2000	1500	1000	750	500	<300				1.5
C					2000		1000	500	<300			1.85
D	2						2000	1000	500	<300		2.2
E	3							2000	1000	500	<300	2.55



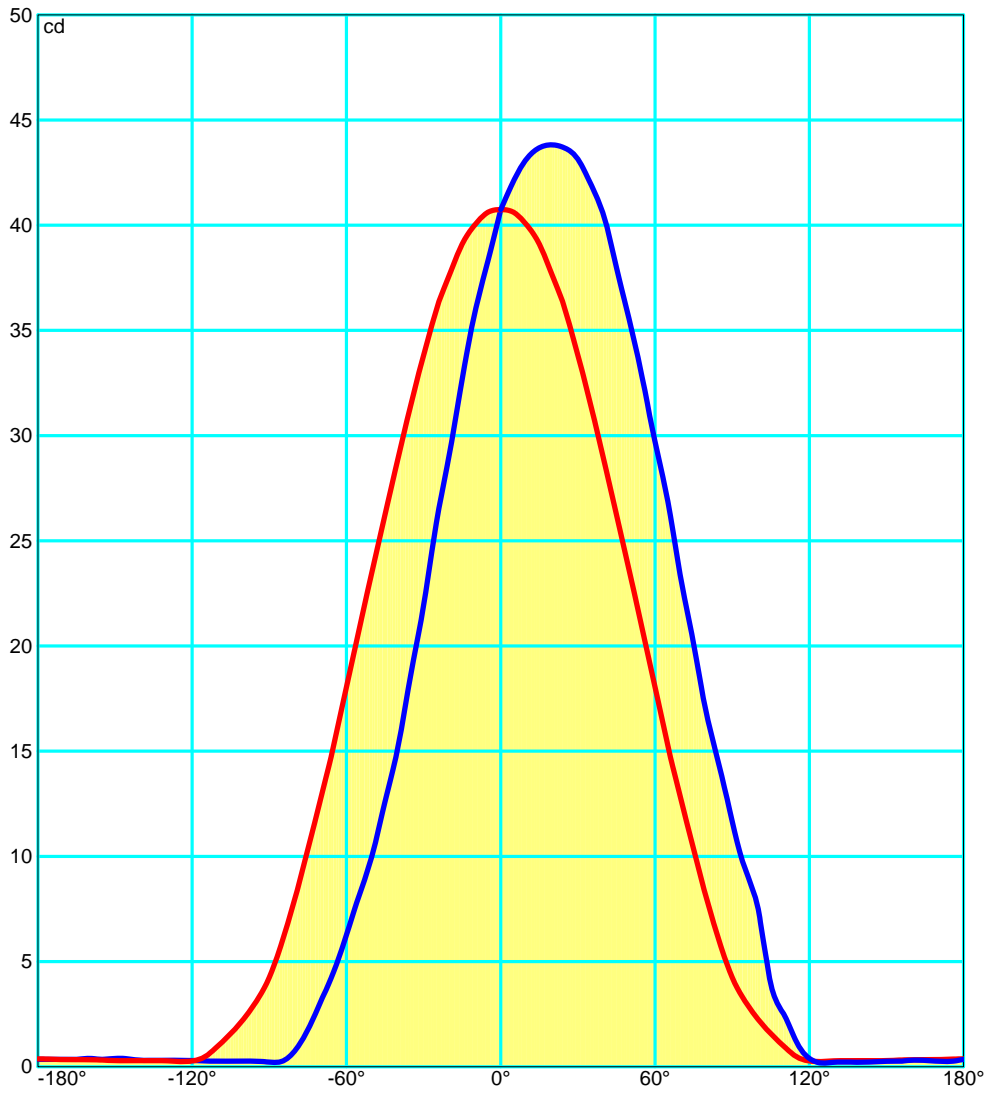
Luminaire		Measur.		Lamp	
Code	05-9544	Code	05-9544	Code	GENIE ESAVER 18W/827
Name	Aplique 18W fluor E27 dif opal	Name	Aplique 18W fluor E27 dif opal	Number	1
Line	Eulumat	Date	15-11-2011	Position	
Efficiency	11.62%	Coordinate system	CG	Total Flux	1100.00 lm

120mm x 220mm



C Halfplanes

270.0	
180.0	
	0.0
	90.0



Luminaire		Measur.		Lamp	
Code	05-9544	Code	05-9544	Code	GENIE ESAVER 18W/827
Name	Aplique 18W fluor E27 dif opal	Name	Aplique 18W fluor E27 dif opal	Number	1
Line	Eulumat	Date	15-11-2011	Position	
Efficiency	11.62%	Coordinate system	CG	Total Flux	1100.00 lm

UGR
S = 0.250

Reflectancies										
Ceiling/Cavity	0.7	0.7	0.5	0.5	0.3	0.7	0.7	0.5	0.5	0.3
Walls	0.5	0.3	0.5	0.3	0.3	0.5	0.3	0.5	0.3	0.3
WorkingPlane	0.2	0.2	0.2	0.2	0.2	0.2	0.2	0.2	0.2	0.2
RoomDimensions	ViewedCrosswise					ViewedEndwise				
x=2H y=2H	15.0	16.2	15.3	16.5	10.9	9.0	10.2	9.3	10.5	10.9
x=2H y=3H	16.7	17.8	17.1	18.2	11.6	9.7	10.8	10.1	11.2	11.6
x=2H y=4H	17.4	18.6	17.8	18.9	11.8	9.8	11.0	10.2	11.3	11.8
x=2H y=6H	18.2	19.2	18.6	19.7	11.8	9.8	10.9	10.3	11.3	11.8
x=2H y=8H	18.6	19.6	19.0	20.0	11.8	9.8	10.9	10.3	11.3	11.8
x=2H y=12H	18.9	19.8	19.4	20.4	11.7	9.8	10.7	10.2	11.2	11.7
x=4H y=2H	15.6	16.8	16.1	17.1	11.8	9.8	11.0	10.3	11.3	11.8
x=4H y=3H	17.6	18.5	18.0	19.0	12.6	10.7	11.6	11.1	12.2	12.6
x=4H y=4H	18.5	19.4	19.0	19.8	12.8	11.0	11.9	11.4	12.2	12.8
x=4H y=6H	19.3	20.1	19.9	20.6	12.9	11.0	11.9	11.6	12.3	12.9
x=4H y=8H	19.8	20.5	20.3	21.0	12.9	11.1	11.8	11.6	12.3	12.9
x=4H y=12H	20.2	20.8	20.7	21.4	12.8	11.1	11.7	11.6	12.3	12.8
x=8H y=4H	19.0	19.7	19.5	20.2	13.3	11.6	12.3	12.1	12.8	13.3
x=8H y=6H	20.1	20.6	20.6	21.2	13.5	11.8	12.4	12.4	12.9	13.5
x=8H y=8H	20.6	21.2	21.2	21.7	13.5	11.8	12.4	12.4	13.0	13.5
x=8H y=12H	21.1	21.6	21.7	22.1	13.5	11.8	12.3	12.4	12.8	13.5
x=12H y=4H	19.1	19.7	19.6	20.3	13.4	11.7	12.3	12.2	12.8	13.4
x=12H y=6H	20.2	20.8	20.8	21.4	13.7	12.0	12.6	12.6	13.1	13.7
x=12H y=8H	20.8	21.3	21.4	21.8	13.7	12.1	12.5	12.6	13.1	13.7

Luminaire	Measur.	Lamp
Code 05-9544	Code 05-9544	Code GENIE ESAVER 18W/827
Name Aplique 18W fluor E27 dif opal	Name Aplique 18W fluor E27 dif opal	Number 1
Line Eulumdat	Date 15-11-2011	Position

Efficiency 11.62%	Coordinate system CG	Total Flux 1100.00 lm
-------------------	----------------------	-----------------------

Total Flux=1100.00 Luminaire Flux=127.86

	0.60	0.80	1.00	1.25	1.50	2.00	2.50	3.00	4.00	5.00	10.00	20.00
RI	0.29	0.36	0.43	0.50	0.55	0.63	0.69	0.73	0.79	0.82	0.90	0.94
DRR	5	6	6	6	6	6	6	6	6	6	6	6
RC												

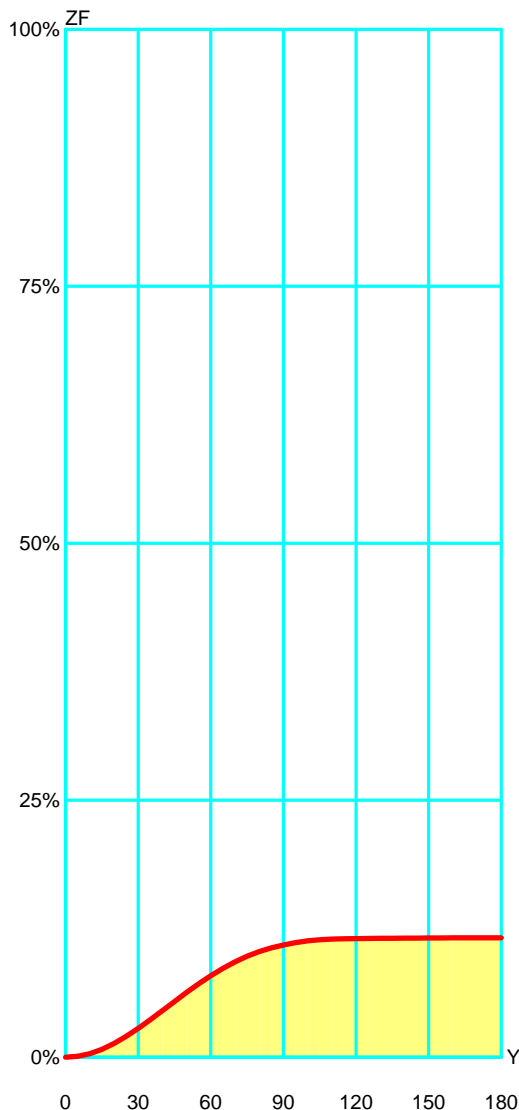
Zonal Flux per 1000 Lumen

	10	20	30	40	50	60	70	80	90	100	110	120	130	140	150	160	170	180
Y°	3	13	28	45	63	79	93	103	109	113	115	115	116	116	116	116	116	116
ZF(Y)																		

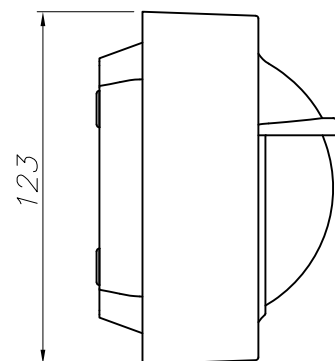
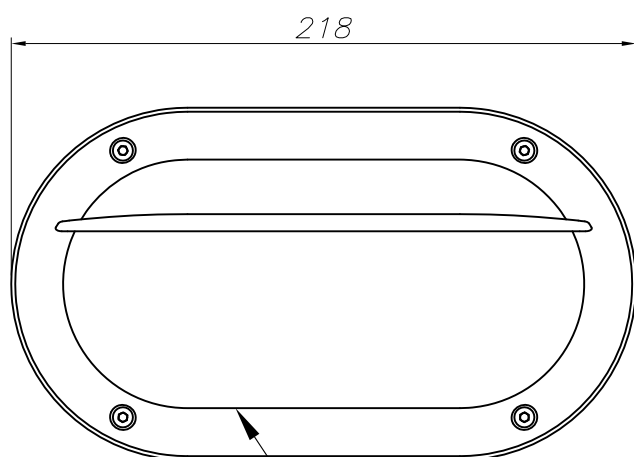
CIE Flux Codes

44 73 90 94 12

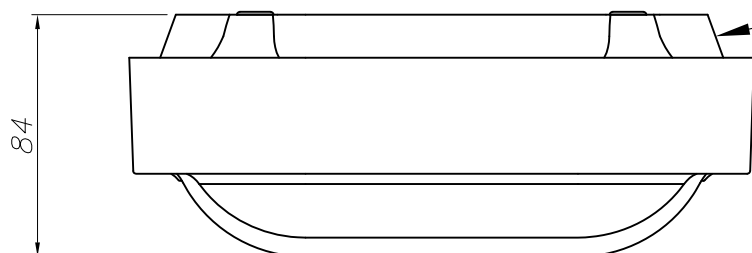
C.I.E.	5/6/6/6/6/6/6/6/6/6	LOR	11.62388 %
D DIN 5040	A31	ULOR	0.70184 %
F UTE	0.11 E + 0.01 T	DLOR	10.92204 %
B NBN	BZ 5	UFF	6.03791 %
RN	6.03791 %	DFF	93.96209 %
BLF	1.0	FFR	6.42590 %



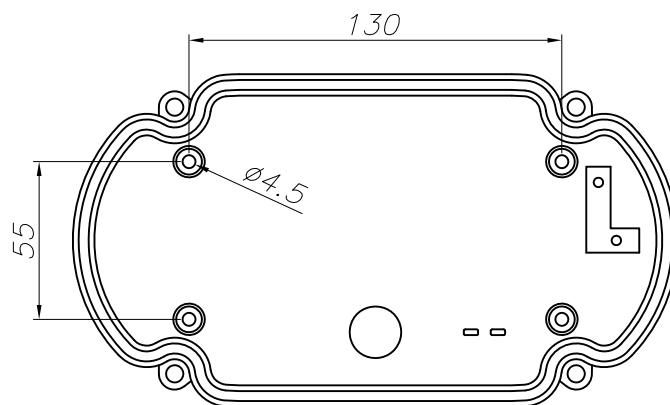
Zonal Flux				
Gamma °	Flux	Sum lm	Flux [%]	Sum [%]
0°	0.00	0.00	0.00%	0.00%
5°	0.88	0.88	0.76%	0.76%
10°	2.60	3.49	2.24%	3.00%
15°	4.21	7.70	3.62%	6.62%
20°	5.64	13.34	4.86%	11.48%
25°	6.86	20.20	5.90%	17.38%
30°	7.81	28.01	6.72%	24.10%
35°	8.47	36.48	7.29%	31.39%
40°	8.85	45.33	7.61%	39.00%
45°	8.93	54.26	7.68%	46.68%
50°	8.77	63.04	7.55%	54.23%
55°	8.42	71.46	7.24%	61.47%
60°	7.88	79.34	6.78%	68.25%
65°	7.17	86.50	6.17%	74.42%
70°	6.33	92.83	5.44%	79.86%
75°	5.41	98.24	4.66%	84.52%
80°	4.48	102.73	3.86%	88.38%
85°	3.62	106.35	3.11%	91.49%
90°	2.87	109.22	2.47%	93.96%
95°	2.25	111.47	1.94%	95.90%
100°	1.68	113.15	1.44%	97.34%
105°	1.12	114.26	0.96%	98.30%
110°	0.65	114.92	0.56%	98.86%
115°	0.33	115.25	0.29%	99.15%
120°	0.16	115.41	0.14%	99.29%
125°	0.11	115.52	0.10%	99.38%
130°	0.11	115.63	0.09%	99.47%
135°	0.10	115.73	0.09%	99.56%
140°	0.09	115.82	0.08%	99.64%
145°	0.09	115.91	0.08%	99.72%
150°	0.08	115.99	0.07%	99.79%
155°	0.07	116.06	0.06%	99.85%
160°	0.06	116.12	0.05%	99.90%
165°	0.05	116.17	0.04%	99.94%
170°	0.04	116.21	0.03%	99.97%
175°	0.02	116.23	0.02%	99.99%
180°	0.01	116.24	0.01%	100.00%



PC SEMITRASPARENTE MATE
SEMISTRANSPIRENT MATT PC



POLIPROPILENO
POLYPROPYLENE



PLANTILLA DE INSTALACIÓN
INSTALLATION TEMPLATE

