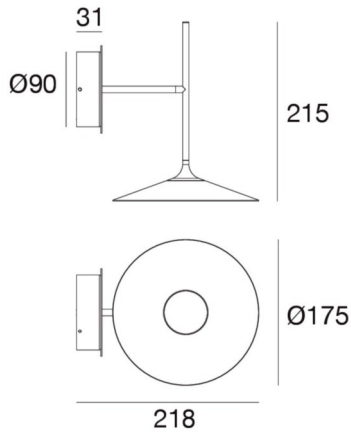


Poe Wall



Wall Lights | 220-240 V | topLED 7 W 250 mA | CRI 80
8502



Technical data	
Type	Wall Lights
Installation position	Wall lights
Installation environment	Indoor
Light Source	LED
Circuit structure	topLED
Optics	General Lighting
Light emission direction	upward
Power	7 W
Source lumens	785 lm
Frequency	60 - 50 Hz
CCT / Tone	3000 K
Colour rendering index	80 Ra
AC / DC	AC
Safety class	1
IP	IP20
Glow wire test	850°
Direct mounting on normally flammable surfaces	No
CE	Yes
ETL	No
Fire Rated (BS 476 PT21 compliant)	No
Driver included	Driver
Emergency mode	No
Motion sensor	No
Directional	No
Tilting	No
Walk-over	No
Drive-over	No
Cable included	No
Resin potting	No
Type of light emission	Single emission
Electrostatic discharge protection	No
Surge protection	No

Finishing casing	
Material	Iron
Colour	copper
Processing	Coating

Finishing diffuser	
Material	UV Resistant Polycarbonate
Colour	opaline
Processing	Sandblasting

Finishing mounting frame	
Material	Iron
Colour	copper
Processing	Coating

Wall Lights | 220-240 V | topLED 7 W 250 mA | CRI 80
8502

Single emission wall lights for indoor application. The warm white LED light source with a general lighting light distribution is composed of 1 topped LEDs with CCT of 3000 K and a CRI 80; the source luminous flux is 785 lm, with a 112.1 lm/W nominal luminous efficacy.

The device body is made of iron and features a copper finish, processed by means of coating; the diffuser is made of uv resistant polycarbonate with a sandblasting treatment; the mounting frame is made of iron, with a copper finish, processed by means of coating. The ingress protection degree is IP20;

The total absorbed power is 7 W.

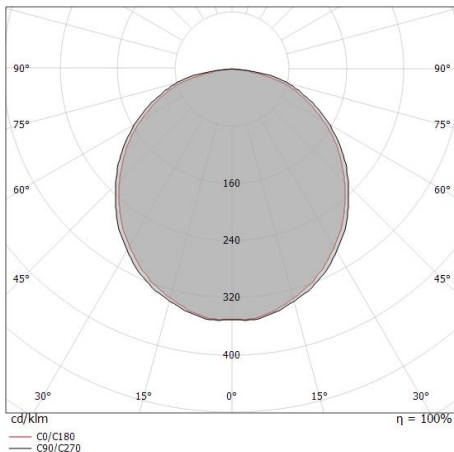
The device features protection class I and can be wall lights-mounted.

Compliant with the EN 60598-1 standard and its specific provisions.

Illuminotechnical Features	
Light Output Ratio (LOR)	68 %
Source lumens	785 lm
Delivered lumens	536 lm
Consumption	7 W
Luminaire efficacy	76 lm/W
Colour temperature	3000 K
Standard Deviation of Colour Matching	3 Step MacAdam
Colour rendering index	80 Ra
Junction temperature (lighting fixture)	80
Standard Operating Ambient Temperature	20
LED Life / Failure Ratio	
L70 B20 C0 72.5h	

UGR	
X=4H Y=8H	S=0.25H
Reflection factor	70/50/20
UGR transversal	> 28
UGR axial	> 28

OPTICAL	
Light distribution simmetry	Symmetrical 2
C0/C180 optics	110°
C90/C270 optics	113°



Distance [m]	Cone diameter [m]	E(0°)	E(C90)	E(C0)	Illuminance [lx]
0.5	1.50 1.42	752	65	72	
1.0	3.00 2.84	188	16	18	
1.5	4.50 4.25	84	7	8	
2.0	6.00 5.67	47	4	5	
2.5	7.50 7.09	30	3	3	
3.0	9.00 8.51	21	2	2	

Distance [m] Cone diameter [m] Illuminance [lx]

— C0/C180 (Half-peak divergence: 109.6°)
- - C90/C270 (Half-peak divergence: 112.6°)