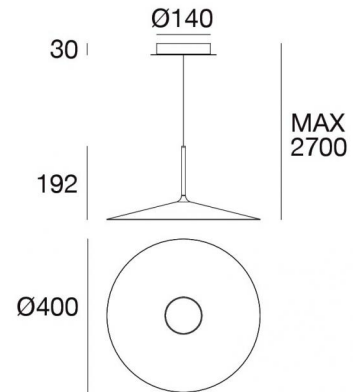


Poe Plus



Pendant Luminaires | 220-240 V
36 topLED 12 W DC - 15 W AC | CRI 80
8361



| Technical data | |
|--|--------------------|
| Construction year | 2018 |
| Type | Pendant Luminaires |
| Installation position | Ceiling |
| Installation environment | Indoor |
| Light Source | LED |
| Optics | General Lighting |
| Light emission direction | downward |
| Power | 12 W |
| Source lumens | 1623 lm |
| Frequency | 60 - 50 Hz |
| CCT / Tone | 3000 K |
| Colour rendering index | 80 Ra |
| C.C. / C.V. | AC |
| Safety class | 1 |
| IP | IP20 |
| Glow wire test | 850° |
| Direct mounting on normally flammable surfaces | No |
| CE | Yes |
| Driver included | Driver |
| Dimmable article | No |
| Directional | No |
| Tilting | No |
| Walk-over | No |
| Drive-over | No |
| Cable included | Yes |
| Cable length | 2.7 m |
| Resin potting | No |
| Type of light emission | Single emission |
| Net weight | 1.65 Kg |
| Electrostatic discharge protection | No |
| Surge protection | No |

| Finishing casing | |
|------------------|----------------|
| Material | Iron |
| Colour | black RAL 9005 |
| Processing | Powder coating |

| Finishing diffuser | |
|--------------------|----------------------------|
| Material | UV Resistant Polycarbonate |
| Colour | opaline |
| Processing | Sandblasting |

| Finishing mounting frame | |
|--------------------------|----------------|
| Material | Iron |
| Colour | black RAL 9005 |
| Processing | Powder coating |

Pendant Luminaires | 220-240 V | 36 topLED 12 W DC - 15 W AC | CRI 80 | Base 8361

Single emission pendant luminaires for indoor application. The warm white LED light source with a general lighting light distribution is composed of 36 topLEDs with CCT of 3000 K and a CRI 80; the source luminous flux is 1623 lm, with a 135.3 lm/W nominal luminous efficacy.

The device body is made of iron and features a black ral 9005 finish, processed by means of powder coating; the diffuser is made of uv resistant polycarbonate with a sandblasting treatment; the mounting frame is made of iron, with a black ral 9005 finish, processed by means of powder coating. The ingress protection degree is IP20; the total weight is of 1.65 kg.

The total absorbed power is 12 W. The power supply cable is included and features a 2.7 m length.

The device features protection class I and can be ceiling-mounted.

Compliant with the EN 60598-1 standard and its specific provisions.

Illuminotechnical Features

| | |
|---|----------------|
| Light Output Ratio (LOR) | 91 % |
| Source lumens | 1623 lm |
| Delivered lumens | 1483.1 lm |
| Consumption | 15 W |
| Luminaire efficacy | 98 lm/W |
| Colour temperature | 3000 K |
| Standard Deviation of Colour Matching | 3 Step MacAdam |
| Colour rendering index | 80 Ra |
| Junction temperature (lighting fixture) | 80 |
| Standard Operating Ambient Temperature | 20 |

LED Life / Failure Ratio

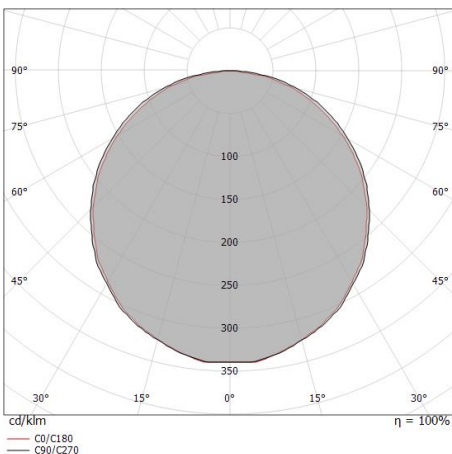
| |
|-------------------------------------|
| L70 B20 C0 72.5h (at Tj 115 Ta 25) |
|-------------------------------------|

UGR

| | |
|-------------------|----------|
| UGR axial | 28.1 |
| UGR transversal | 27.7 |
| X=4H Y=8H | S=0.25H |
| Reflection factor | 70/50/20 |

OPTICAL

| | |
|-----------------------------|-------------|
| Light distribution simmetry | Symmetrical |
| C0/C180 optics | 113° |



| Distance [m] | Cone diameter [m] | illuminance [lx] |
|--------------|-------------------|---------------------------------------|
| 0.5 | 1.59 1.50 | E(0°) 2013 E(C90) 153 E(C0) 173 |
| 1.0 | 3.18 3.00 | E(0°) 503 E(C90) 38 E(C0) 43 |
| 1.5 | 4.76 4.50 | E(0°) 224 E(C90) 17 E(C0) 19 |
| 2.0 | 6.35 6.00 | E(0°) 126 E(C90) 10 E(C0) 11 |
| 2.5 | 7.94 7.50 | E(0°) 81 E(C90) 6 E(C0) 7 |
| 3.0 | 9.53 9.00 | E(0°) 56 E(C90) 4 E(C0) 5 |

— C0/C180 (Half-peak divergence: 112.6°)
— C90/C270 (Half-peak divergence: 115.6°)