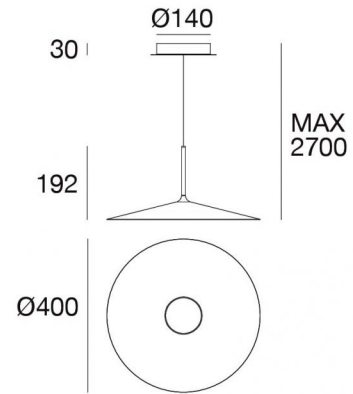
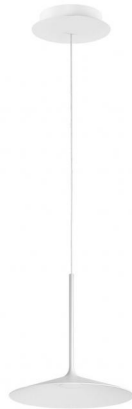


# Poe Plus



Pendant Luminaires | 220-240 V  
36 topLED 12 W DC - 15 W AC | CRI 80  
**8360**



Technical data	
Construction year	2018
Type	Pendant Luminaires
Installation position	Ceiling
Installation environment	Indoor
Light Source	LED
Optics	General Lighting
Light emission direction	downward
Power	12 W
Source lumens	1623 lm
Frequency	60 - 50 Hz
CCT / Tone	3000 K
Colour rendering index	80 Ra
C.C. / C.V.	AC
Safety class	1
IP	IP20
Glow wire test	850°
Direct mounting on normally flammable surfaces	No
CE	Yes
Driver included	Driver
Dimmable article	No
Directional	No
Tilting	No
Walk-over	No
Drive-over	No
Cable included	Yes
Cable length	2.7 m
Resin potting	No
Type of light emission	Single emission
Net weight	1.65 Kg
Electrostatic discharge protection	No
Surge protection	No

## Finishing casing

Material	Iron
Colour	Embossed white RAL 9003
Processing	Powder coating

## Finishing diffuser

Material	UV Resistant Polycarbonate
Colour	opaline
Processing	Sandblasting

## Finishing mounting frame

Material	Iron
Colour	Embossed white RAL 9003
Processing	Powder coating

Pendant Luminaires | 220-240 V | 36 topLED 12 W DC - 15 W AC | CRI 80 | Base  
8360

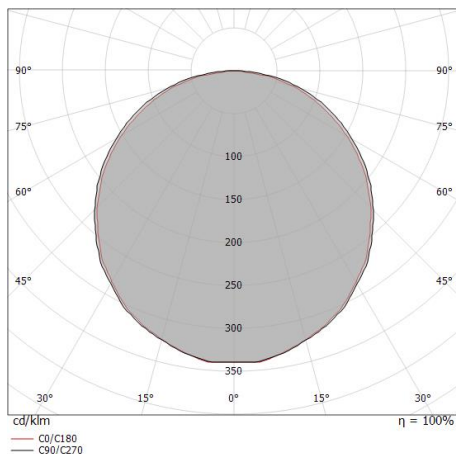
Single emission pendant luminaires for indoor application. The warm white LED light source with a general lighting light distribution is composed of 36 topLEDs with CCT of 3000 K and a CRI 80; the source luminous flux is 1623 lm, with a 135.3 lm/W nominal luminous efficacy.

The device body is made of iron and features a embossed white ral 9003 finish, processed by means of powder coating; the diffuser is made of uv resistant polycarbonate with a sandblasting treatment; the mounting frame is made of iron, with a embossed white ral 9003 finish, processed by means of powder coating. The ingress protection degree is IP20; the total weight is of 1.65 kg.

The total absorbed power is 12 W. The power supply cable is included and features a 2.7 m length.

The device features protection class I and can be ceiling-mounted.

Compliant with the EN 60598-1 standard and its specific provisions.



Distance [m]	Cone diameter [m]	illuminance [lx]
0.5	1.59 1.50	E(0°) 2013 E(C90) 153 E(C0) 173
1.0	3.18 3.00	E(0°) 503 E(C90) 38 E(C0) 43
1.5	4.76 4.50	E(0°) 224 E(C90) 17 E(C0) 19
2.0	6.35 6.00	E(0°) 126 E(C90) 10 E(C0) 11
2.5	7.94 7.50	E(0°) 81 E(C90) 6 E(C0) 7
3.0	9.53 9.00	E(0°) 56 E(C90) 4 E(C0) 5

— C0/C180 (Half-peak divergence: 112.6°)  
— C90/C270 (Half-peak divergence: 115.6°)

Illuminotechnical Features	
Light Output Ratio (LOR)	91 %
Source lumens	1623 lm
Delivered lumens	1483.1 lm
Consumption	15 W
Luminaire efficacy	98 lm/W
Colour temperature	3000 K
Standard Deviation of Colour Matching	3 Step MacAdam
Colour rendering index	80 Ra
Junction temperature (lighting fixture)	80
Standard Operating Ambient Temperature	20
LED Life / Failure Ratio	
L70 B20 C0 72.5h (at Tj 115 Ta 25 )	

UGR	
UGR axial	28.1
UGR transversal	27.7
X=4H   Y=8H	S=0.25H
Reflection factor	70/50/20

OPTICAL	
Light distribution simmetry	Symmetrical
C0/C180 optics	113°