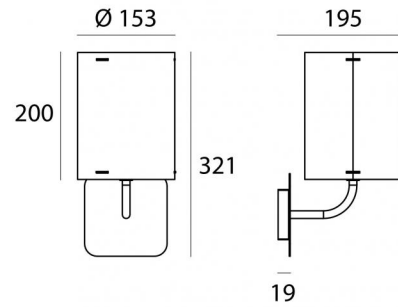


Thank You_W1



Wall Lights | 220-240 V | 1xE27
8053



| Technical data | |
|--|---------------------|
| Type | Surface |
| Installation position | Wall lights |
| Installation environment | Indoor |
| Lamp cap | 1 x E27 Max 57W |
| Frequency | 50-60 Hz |
| Optics | General Lighting |
| Light emission direction | downward and upward |
| Safety class | 1 |
| IP | IP20 |
| Glow wire test | 650° |
| Direct mounting on normally flammable surfaces | Yes |
| CE | Yes |
| Dimmable article | No |
| Directional | No |
| Tilting | No |
| Walk-over | No |
| Drive-over | No |
| Cable included | No |
| Resin potting | No |
| Net weight | 0,958 Kg |

Finishing casing

| | |
|------------|-------------------------|
| Material | Iron |
| Colour | Embossed white RAL 9003 |
| Processing | Coating |

Finishing diffuser

| | |
|----------|-----------------|
| Material | Wood |
| Colour | ash wood finish |

Finishing mounting frame

| | |
|------------|-------------------------|
| Material | Iron |
| Colour | Embossed white RAL 9003 |
| Processing | Coating |



Wall Lights | 220-240 V | 1xE27
8053

Double emission wall lights for indoor application. Compatibility: LED lamp, halogen 57 W; lamp cap 1xE27.

The device body is made of iron and features a embossed white ral 9003 finish, processed by means of coating; the diffuser is made of wood; the mounting frame is made of iron, with a embossed white ral 9003 finish, processed by means of coating. The ingress protection degree is IP20; the total weight is of 0,958 kg.

The device features protection class I and can be wall lights-mounted.

Compliant with the EN 60598-1 standard and its specific provisions.

Illuminotechnical Features

| | |
|------------------------|--------|
| Source lumens | 915 lm |
| Colour temperature | 2800 K |
| Colour rendering index | 100 Ra |