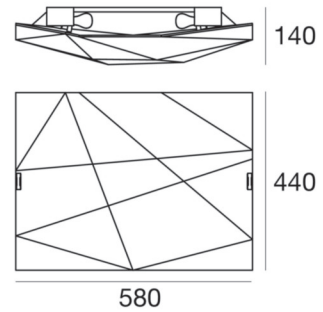
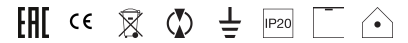


Face_S



Ceiling Lights | 220-240 V | 4xE27
7477



Technical data	
Type	Surface
Installation position	Ceiling
Installation environment	Indoor
Optics	General Lighting
Light emission direction	downward
Safety class	1
IP	IP20
Glow wire test	850°
Direct mounting on normally flammable surfaces	Yes
CE	Yes
ETL	No
Fire Rated (BS 476 PT21 compliant)	No
Motion sensor	No
Directional	No
Tilting	No
Walk-over	No
Drive-over	No
Cable included	No
Resin potting	No
Net weight	3.700 Kg

Finishing casing	
Material	Iron
Colour	embossed white RAL 9003
Processing	Coating

Finishing diffuser	
Material	Glass
Colour	white
Processing	Sandblasting



Ceiling Lights | 220-240 V | 4xE27
7477

Double emission ceiling lights for indoor application. Compatibility: LED lamp, compact fluo 20 W, halogen 46 W; lamp cap 4xE27.

The device body is made of iron and features a embossed white ral 9003 finish, processed by means of coating; the diffuser is made of glass with a sandblasting treatment. The ingress protection degree is IP20; the total weight is of 3.700 kg.

The device features protection class I and can be ceiling-mounted.

Compliant with the EN 60598-1 standard and its specific provisions.

Illuminotechnical Features	
Colour temperature	2500 K
Colour rendering index	100 Ra