

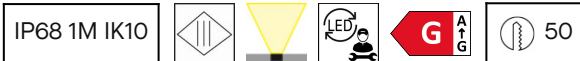


Aqua Recessed PC

Underwater IP68 1M Aqua Recessed PC LED 2.2 LED neutral-white 4000K White 52lm

Technical features

- Luminaire total power: 2.2W
- Real lumens: 52
- Real lm/W: 24
- Correlated Colour Temperature (CCT): LED neutral-white 4000K
- Lens / reflector angle: FLOOD 96°
- Structure material: Aluminium, Polycarbonate
- Structure finish: White
- Diffuser material: Glass
- Diffuser finish: Sandblasted
- Equipment necessary but not included
- Voltage / frequency: 3V/max.700mA
- Useful life: 50,000h L80B20
- Warranty: 5 años
- Resistant to marine environments: Yes



Luminotechnic features

- CRI: 80
- MacAdam steps: 3
- Photobiological risk: RG2

Lampholder	Quantity	Light source power (W)	Correlated Colour Temperature (CCT)
LED	1	2.2W	LED neutral-white 4000K

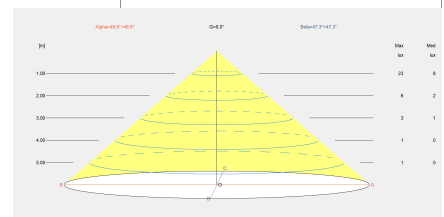
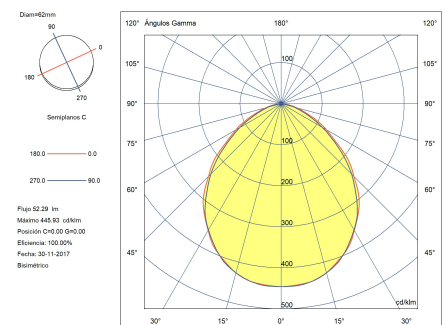
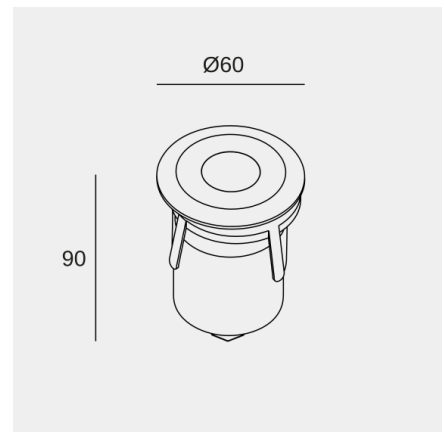


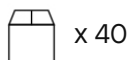
Image may not match reference. LedsC4 reserves the right to amend any of the product's components. The data related to flux, power and colour temperature may be subject to changes made by the manufacturer.



Aqua Recessed PC

Underwater IP68 1M Aqua Recessed PC LED 2.2 LED neutral-white 4000K White 52lm

Logistics



x 40

Net weight (kg): 0.15

Packaged weight (kg): 0.49

Packaging: 80mm x 80mm x 140mm

Image may not match reference. LedsC4 reserves the right to amend any of the product's components. The data related to flux, power and colour temperature may be subject to changes made by the manufacturer.



Aqua Recessed PC

Underwater IP68 1M Aqua Recessed PC LED 2.2 LED neutral-white 4000K White 52lm

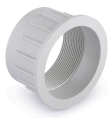
Accessories included



Recessed box



Coloured interchangeable filters



Base for flush mounting

Optional accessories



71-E112-00-00

IP68 anti-condensation connector with two inlets

Structure material: Technopolymer

Dimensions: 23 x 88 x NA

Net weight (kg): 0.04



71-9199-05-05

IP68 connector with six inlets

Structure material:

Dimensions: NA x NA x NA

Net weight (kg): 0.26



71-E512-00-00

Structure material: Nylon

Dimensions: 24 x 71 x NA

Image reference. LedsC4 reserves the right to amend any of the product's components. The data related to flux, power and colour temperature may be subject to changes made by the manufacturer.

Optional accessories



71-E513-00-00

Structure material: Nylon
Dimensions: 25 x 102 x 65

Image may not match reference. LedsC4 reserves the right to amend any of the product's components. The data related to flux, power and colour temperature may be subject to changes made by the manufacturer.