



Aqua Recessed AISI 316

Underwater IP68 1M Aqua Recessed AISI 316 GU5.3 5 AISI 316 stainless steel 1474lm

Technical features

- Luminaire total power: 5W
- Lens / reflector angle: FLOOD 58°
- Structure material: Stainless steel AISI316
- Structure finish: AISI 316 stainless steel
- Diffuser material: Glass
- Diffuser finish: Transparent
- Max. size of light bulb: 60/NA mm
- Recommended light bulb: GU5.3
- Equipment necessary but not included
- Voltage / frequency: 12V/50-60Hz
- Warranty: 5 años
- Resistant to marine environments: Yes
- Easily recyclable luminaire



Luminotechnic features

Lampholder	Quantity	Light source power (W)	Correlated Colour Temperature (CCT)
GU5.3	1	Max. power 5W	-

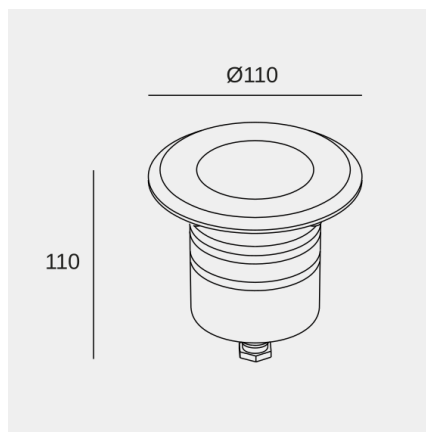


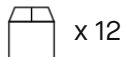
Image may not match reference. LedsC4 reserves the right to amend any of the product's components. The data related to flux, power and colour temperature may be subject to changes made by the manufacturer.



Aqua Recessed AISI 316

Underwater IP68 1M Aqua Recessed AISI 316 GU5.3 5 AISI 316 stainless steel 1474lm

Logistics



x 12

Net weight (kg): 0.68

Packaged weight (kg): 0.99

Packaging: 110mm x 110mm x 170mm

Image may not match reference. LedsC4 reserves the right to amend any of the product's components. The data related to flux, power and colour temperature may be subject to changes made by the manufacturer.



Aqua Recessed AISI 316

Underwater IP68 1M Aqua Recessed AISI 316 GU5.3 5 AISI 316 stainless steel 1474lm

Accessories included



Recess case

Optional accessories



71-E112-00-00

IP68 anti-condensation connector with two inlets

Structure material: Technopolymer
Dimensions: 23 x 88 x NA
Net weight (kg): 0.04



71-E122-00-00

IP68 anti-condensation connector with four inlets

Structure material: Technopolymer
Dimensions: 54 x 88 x 28
Net weight (kg): 0.09



71-9199-05-05

IP68 connector with six inlets

Structure material:
Dimensions: NA x NA x NA
Net weight (kg): 0.26



71-E512-00-00

Structure material: Nylon
Dimensions: 24 x 71 x NA



71-E513-00-00

Image reference. LedsC4 reserves the right to amend any of the product's components. The data related to flux, power and colour temperature may be substituted by the manufacturer.

Structure material: Nylon
Dimensions: 25 x 102 x 65