

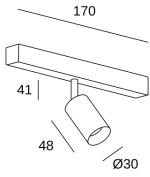
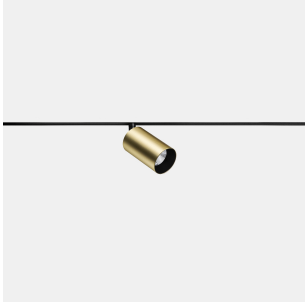


## Atom Low Voltage 29

**35-7286-DN-00**

Leds C4 Team

Spotlight Atom Low Voltage 29 3.1W LED warm-white 3000K CRI 90 37.1° ON-OFF Matte gold 269lm



### TECHNICAL FEATURES



Total power consumption of light (W) : 3.1W

Voltage / frequency : 48 VDC

Real lumens : 269

Dimming protocol : ON-OFF

Real lm/W : 87

Useful life : 50.000h L90B10

Correlated Colour Temperature (CCT) : LED warm-white 3000K

Warranty : 5 Years

UGR : <=16

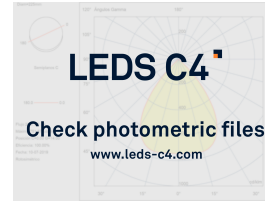
Easily recycled luminaire

Structure material : Aluminium

Structure finish : Matte gold

### LUMINOTECHNIC FEATURES

Lampholder	Quantity	Light source power (W)
LED	1	3.1W



### LOGISTICS

Net weight (kg): 0.09

Packaged weight (kg): 0.14

Packaging: 190mm x 90mm x 35mm

