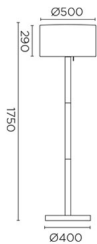


25-9614-14-M1

V0

Smooth Chillout

Designer: Francesc Vilaró

**Description**

Chillout light for outdoor use.

For general lighting. Specially designed to conceal all mounting screws. Suitable for installation in marine environments. Cable meters included: 5. Structure material: Aluminium. Structure finish: White. Diffuser material: Plastic. Diffuser finish: White. UV protection. Warranty: 5 Years.

Finish

White
White

Material

Aluminium
Plastic

**TECHNICAL CHARACTERISTICS****Light source**

Lampholder: 1 x E27
Output (W): MAX 30W
Total power consumption (W): 30
Lamp maximum dimension: 170/NA
mm
Quantity: 1

GEAR

Brand: NA

Luminaire

Double cable exit: No
Drainage: No
Seaside: Yes
Cable meters included: 5
Uv Protection: Yes
Warranty: 5 Years

Logistics

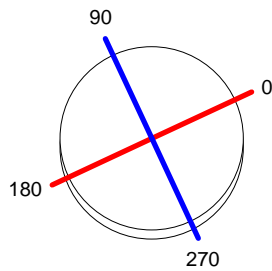
Energy Efficiency: NO BULB
EAN Code: 8435111091067
Net Weight (Kg): 9.000
Weight in Kg (packaged): 10.630
Packing: 610 x 535 x 320
Masterbox: 1

The photograph may not match the reference exactly. Please read the product description to identify the finish.

Luminaire		Measurem.		Lamp	
Code	25-9614-14-M1	Code	25-9614-14-M1	Code	STANDAR GOC 100W O
Name	Pie salón SMOOTH 100W E27 A55	Name	Pie salón SMOOTH 100W E27 A55	Number	1
Line	- LEDS-C4	Date	10-09-2015	Position	Universal
Luminaire Flux	886.87 lm	Luminaire Power	100.00 W	Efficacy	8.87 lm/W
		Efficiency			66.18%
Lamps Flux	1340.00 lm	Maximum value	104.49 cd	Position	C=75.00 G=155.00
		CG			Asymmetrical
Round Luminaire	Diam.	500 mm	Height	290 mm	
Round Luminous Area	Diam.	500 mm	Height	290 mm	
Horizontal Luminous Area	0.196350 m2	Emitting area on Plane 180°	0.145000 m2		
Emitting area on Plane 0°	0.145000 m2	Emitting area on Plane 270°	0.145000 m2		
Emitting area on Plane 90°	0.145000 m2	Glare area at 76°	0.188194 m2		
Coordinate system	CG	Symmetry Type	Asymmetrical		
Date	10-09-2015	Maximum Gamma Angle	180		
Measurement Distance	6.44	Measurement Flux	1271.00 lm		
Operator	Asselum T2	Source voltage	230.00 V		
Temperature	24.00 °C	Source current			
Humidity	58.00 %	Photocell	Prc		
Notes					

Luminaire Lamps						
Line	Code	Name	Flux [lm]	Pow. [W]	Q.ty	
PHILIPS 2005 ILCOS IA,IB,IC	STANDAR GOC 100W O	STANDAR GOCCIA 100W E27 OPALE	1340.00	100.00	1	
C.I.E.	19 45 73 39 66	D DIN 5040	D12			
F UTE	0.26 J + 0.40 T	B NBN	BZ 9			

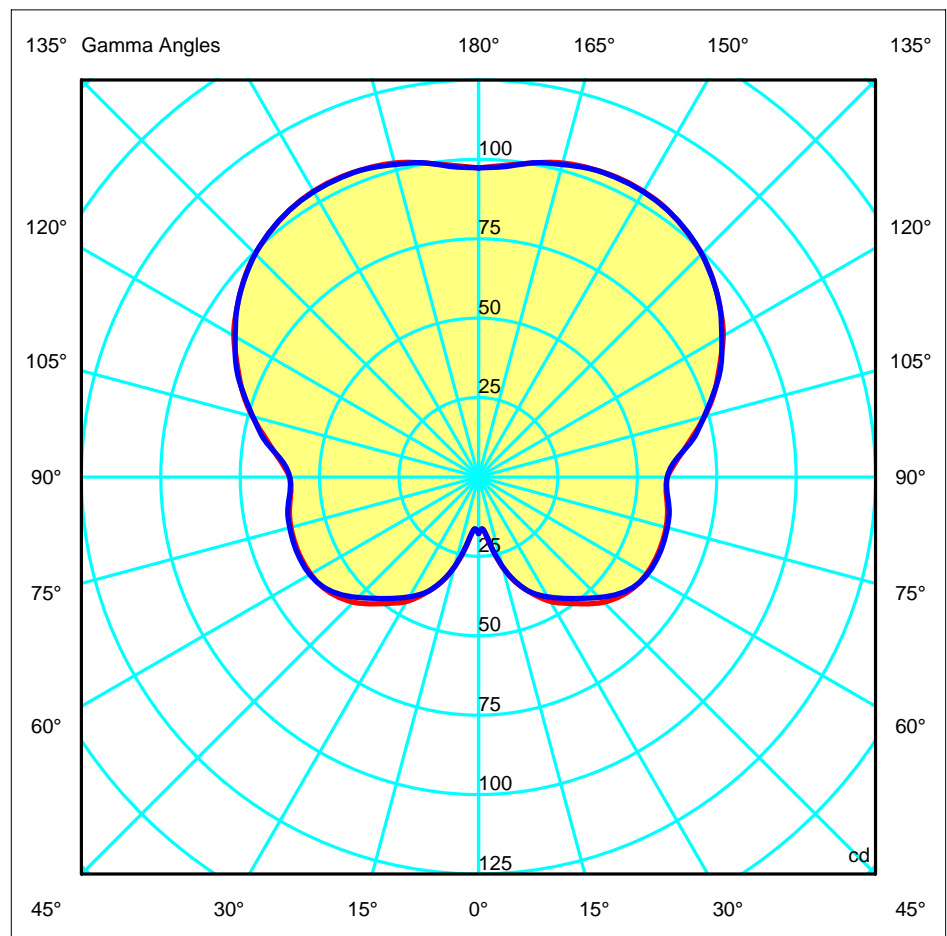
Diam=500mm



C Halfplanes

180.0 — 0.0
270.0 — 90.0

ULOR 40.36 %
DLOR 25.82 %
RN 60.98 %



Luminaire	Code 25-9614-14-M1	Measur.	Code 25-9614-14-M1	Lamp	Code STANDAR GOC 100W O
Name	Pie salón SMOOTH 100W E27 A55	Name	Pie salón SMOOTH 100W E27 A55	Number	1
Line	- LEDS-C4	Date	10-09-2015	Position	Universal

Luminaire Flux	886.87 lm	Luminaire Power	100.00 W	Efficacy	8.87 lm/W	Efficiency	66.18%
-----------------------	-----------	------------------------	----------	-----------------	-----------	-------------------	--------

Lamps Flux	1340.00 lm	Maximum value	104.49 cd	Position	C=75.00 G=155.00	CG	Asymmetrical
-------------------	------------	----------------------	-----------	-----------------	------------------	-----------	--------------

Luminous Intensity Table cd Table 1/1

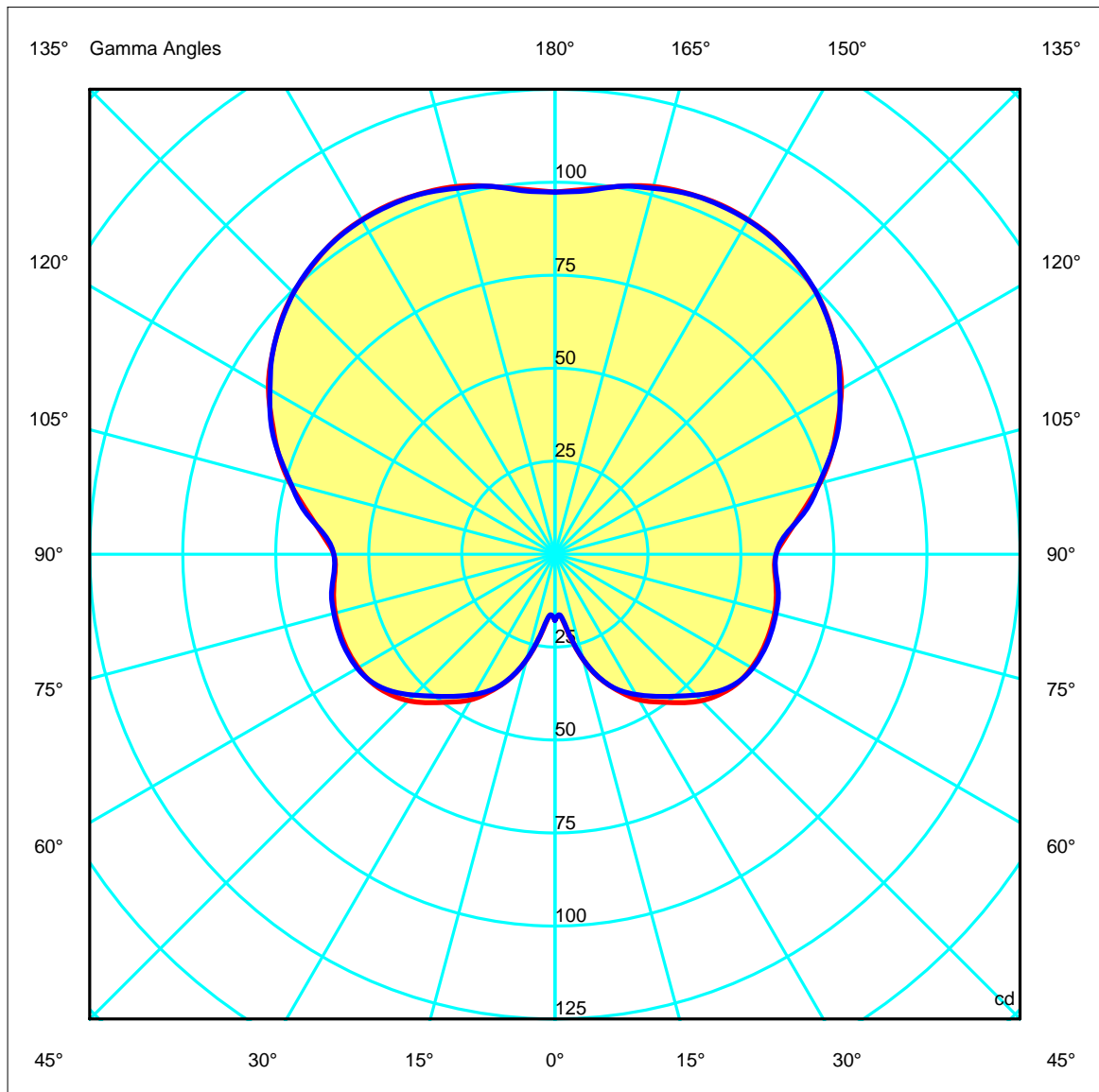
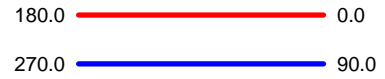
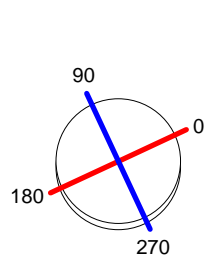
	C 0.00	C 15.00	C 30.00	C 45.00	C 60.00	C 75.00	C 90.00	C 105.00	C 120.00	C 135.00	C 150.00	C 165.00
G 0.0	17.79	17.79	17.79	17.79	17.79	17.79	17.79	17.79	17.79	17.79	17.79	17.79
G 5.0	16.66	16.60	15.86	16.10	15.87	16.54	16.49	16.54	15.87	16.10	15.86	16.60
G 10.0	22.04	22.25	21.52	21.27	21.55	22.06	21.65	22.06	21.55	21.27	21.52	22.25
G 15.0	29.39	29.07	28.70	28.57	28.78	29.33	29.23	29.33	28.78	28.57	28.70	29.07
G 20.0	35.70	35.22	35.36	34.52	35.27	35.71	35.50	35.71	35.27	34.52	35.36	35.22
G 25.0	40.59	40.81	40.38	39.39	39.95	40.56	40.28	40.56	39.95	39.39	40.38	40.81
G 30.0	45.23	45.14	45.45	44.26	44.27	44.64	43.57	44.64	44.27	44.26	45.45	45.14
G 35.0	48.53	49.51	49.69	48.21	48.14	48.43	46.59	48.43	48.14	48.21	49.69	49.51
G 40.0	52.15	53.20	53.37	52.18	51.35	51.77	49.93	51.77	51.35	52.18	53.37	53.20
G 45.0	55.73	56.02	56.17	56.14	53.86	54.49	53.59	54.49	53.86	56.14	56.17	56.02
G 50.0	58.34	58.28	58.33	58.74	56.11	57.10	57.33	57.10	56.11	58.74	58.33	58.28
G 55.0	60.18	59.61	60.10	60.22	58.67	59.37	59.99	59.37	58.67	60.22	60.10	59.61
G 60.0	61.02	60.50	60.93	61.04	60.55	60.63	61.35	60.63	60.55	61.04	60.93	60.50
G 65.0	61.43	61.00	61.42	61.48	61.68	61.37	61.81	61.37	61.68	61.48	61.42	61.00
G 70.0	61.39	60.99	61.40	61.42	61.70	61.70	61.84	61.70	61.70	61.42	61.40	60.99
G 75.0	61.15	60.74	61.17	61.16	61.41	61.50	61.52	61.50	61.41	61.16	61.17	60.74
G 80.0	60.41	60.32	60.57	60.62	60.95	60.87	60.97	60.87	60.95	60.62	60.57	60.32
G 85.0	59.37	59.10	59.37	59.47	59.68	59.56	59.62	59.56	59.68	59.47	59.37	59.10
G 90.0	59.44	58.84	59.09	59.09	59.45	59.36	59.43	59.36	59.45	59.09	59.09	58.84
G 95.0	62.90	61.91	62.66	62.43	63.05	62.91	62.35	62.91	63.05	62.43	62.66	61.91
G100.0	67.75	68.01	67.74	67.94	67.93	67.90	68.55	67.90	67.93	67.94	67.74	68.01
G105.0	73.72	73.25	73.75	73.53	73.76	73.60	73.51	73.60	73.76	73.53	73.75	73.25
G110.0	79.13	78.70	79.05	78.89	79.21	79.21	79.05	79.21	79.05	78.89	79.05	78.70
G115.0	83.83	83.90	83.75	83.89	84.34	84.34	84.28	84.34	84.34	83.89	83.75	83.90
G120.0	88.95	88.23	89.01	88.59	89.05	89.19	88.42	89.19	89.05	88.59	89.01	88.23
G125.0	92.83	92.91	92.95	92.72	92.63	92.99	92.83	92.99	92.63	92.72	92.95	92.91
G130.0	96.46	96.17	96.44	96.33	96.30	96.64	96.32	96.64	96.30	96.33	96.44	96.17
G135.0	99.38	98.97	99.36	99.30	99.13	99.68	99.36	99.68	99.13	99.30	99.36	98.97
G140.0	101.35	101.22	101.49	101.38	101.27	101.95	101.54	101.95	101.27	101.38	101.49	101.22
G145.0	103.13	102.66	103.19	103.03	102.78	103.50	103.02	103.50	102.78	103.03	103.19	102.66
G150.0	103.87	103.73	104.03	103.96	103.57	104.23	103.72	104.23	103.57	103.96	104.03	103.73
G155.0	103.96	104.05	104.15	103.88	104.03	104.49	103.72	104.49	104.03	103.88	104.15	104.05
G160.0	103.36	103.70	103.59	103.46	103.33	103.68	103.25	103.68	103.33	103.46	103.59	103.70
G165.0	102.36	102.56	102.46	102.38	102.12	102.44	101.84	102.44	102.12	102.38	102.46	102.56
G170.0	100.43	100.37	100.47	100.44	100.23	100.44	100.46	100.44	100.23	100.44	100.47	100.37
G175.0	98.50	98.56	98.54	98.47	98.41	98.27	98.11	98.27	98.41	98.47	98.54	98.56
G180.0	97.35	97.35	97.35	97.35	97.35	97.35	97.35	97.35	97.35	97.35	97.35	97.35

	C 180.00	C 195.00	C 210.00	C 225.00	C 240.00	C 255.00	C 270.00	C 285.00	C 300.00	C 315.00	C 330.00	C 345.00
G 0.0	17.79	17.79	17.79	17.79	17.79	17.79	17.79	17.79	17.79	17.79	17.79	17.79
G 5.0	16.66	16.60	15.86	16.10	15.87	16.54	16.49	16.54	15.87	16.10	15.86	16.60
G 10.0	22.04	22.25	21.52	21.27	21.55	22.06	21.65	22.06	21.55	21.27	21.52	22.25
G 15.0	29.39	29.07	28.70	28.57	28.78	29.33	29.23	29.33	28.78	28.57	28.70	29.07
G 20.0	35.70	35.22	35.36	34.52	35.27	35.71	35.50	35.71	35.27	34.52	35.36	35.22
G 25.0	40.59	40.81	40.38	39.39	39.95	40.56	40.28	40.56	39.95	39.39	40.38	40.81
G 30.0	45.23	45.14	45.45	44.26	44.27	44.64	43.57	44.64	44.27	44.26	45.45	45.14
G 35.0	48.53	49.51	49.69	48.21	48.14	48.43	46.59	48.43	48.14	48.21	49.69	49.51
G 40.0	52.15	53.20	53.37	52.18	51.35	51.77	49.93	51.77	51.35	52.18	53.37	53.20
G 45.0	55.73	56.02	56.17	56.14	53.86	54.49	53.59	54.49	53.86	56.14	56.17	56.02
G 50.0	58.34	58.28	58.33	58.74	56.11	57.10	57.33	57.10	56.11	58.74	58.33	58.28
G 55.0	60.18	59.61	60.10	60.22	58.67	59.37	59.99	59.37	58.67	60.22	60.10	59.61
G 60.0	61.02	60.50	60.93	61.04	60.55	60.63	61.35	60.63	60.55	61.04	60.93	60.50
G 65.0	61.43	61.00	61.42	61.48	61.68	61.37	61.81	61.37	61.68	61.48	61.42	61.00
G 70.0	61.39	60.99	61.40	61.42	61.70	61.70	61.84	61.70	61.70	61.42	61.40	60.99
G 75.0	61.15	60.74	61.17	61.16	61.41	61.50	61.52	61.50	61.41	61.16	61.17	60.74
G 80.0	60.41	60.32	60.57	60.62	60.95	60.87	60.97	60.87	60.95	60.62	60.57	60.32
G 85.0	59.37	59.10	59.37	59.47	59.68	59.56	59.62	59.56	59.68	59.47	59.37	59.10
G 90.0	59.44	58.84	59.09	59.09	59.45	59.36	59.43	59.36	59.45	59.09	59.09	58.84
G 95.0	62.90	61.91	62.66	62.43	63.05	62.91	62.35	62.91	63.05	62.43	62.66	61.91
G100.0	67.75	68.01	67.74	67.94	67.93	67.90	68.55	67.90	67.93	67.94	67.74	68.01
G105.0	73.72	73.25	73.75	73.53	73.76	73.60	73.51	73.60	73.76	73.53	73.75	73.25
G110.0	79.13	78.70	79.05	78.89	79.21	79.21	79.05	79.21	79.05	78.89	79.05	78.70
G115.0	83.83	83.90	83.75	83.89	84.34	84.34	84.28	84.34	84.34	83.89	83.75	83.90
G120.0	88.95	88.23	89.01	88.59	89.05	89.19	88.42	89.19	89.05	88.59	89.01	88.23
G125.0	92.83	92.91	92.95	92.72	92.63	92.99	92.83	92.99	92.63	92.72	92.95	92.91
G130.0	96.46	96.17	96.44	96.33	96.30	96.64	96.32	96.64	96.30	96.33	96.44	96.17
G135.0	99.38	98.97	99.36	99.30	99.13	99.68	99.36	99.68	99.13	99.30	99.36	98.97
G140.0	101.35	101.22	101.49	101.38	101.27	101.95	101.54	101.95	101.27	101.38	101.49	101.22
G145.0	103.13	102.66	103.19	103.03	102.78	103.50	103.02	103.50	102.78	103.03	103.19	102.66
G150.0	103.87	103.73	104.03	103.96	103.57	104.23	103.72	104.23	103.57	103.96	104.03	103.73
G155.0	103.96	104.05	104.15	103.88	104.03	104.49	103.72	104.49	104.03	103.88	104.15	104.05
G160.0	103.36	103.70	103.59	103.46	103.33	103.68	103.25	103.68	103.33	103.46	103.59	103.70
G165.0	102.36	102.56	102.46	102.38	102.12	102.44	101.84	102.44	102.12	102.38	102.46	102.56
G170.0	100.43	100.37	100.47	100.44	100.23	100.44	100.46	100.44	100.23	100.44	100.47	100.37
G175.0	98.50	98.56	98.54	98.47	98.41	98.27	98.11	98.27	98.41	98.47	98.54	98.56
G180.0	97.35	97.35	97.35	97.35	97.35	97.35	97.35	97.35	97.35	97.35	97.35	97.35

Luminaire		Measurem.		Lamp			
Code	25-9614-14-M1	Code	25-9614-14-M1	Code	STANDAR GOC 100W O		
Name	Pie salón SMOOTH 100W E27 A55	Name	Pie salón SMOOTH 100W E27 A55	Number	1		
Line	- LEDS-C4	Date	10-09-2015	Position	Universal		
Luminaire Flux	886.87 lm	Luminaire Power	100.00 W	Efficacy	8.87 lm/W	Efficiency	66.18%
Lamps Flux	1340.00 lm	Maximum value	104.49 cd	Position	C=75.00 G=155.00	CG	Asymmetrical

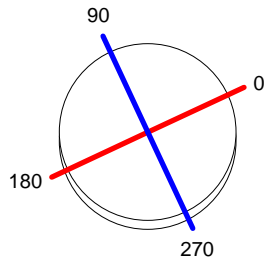
Diam=500mm

C Halfplanes

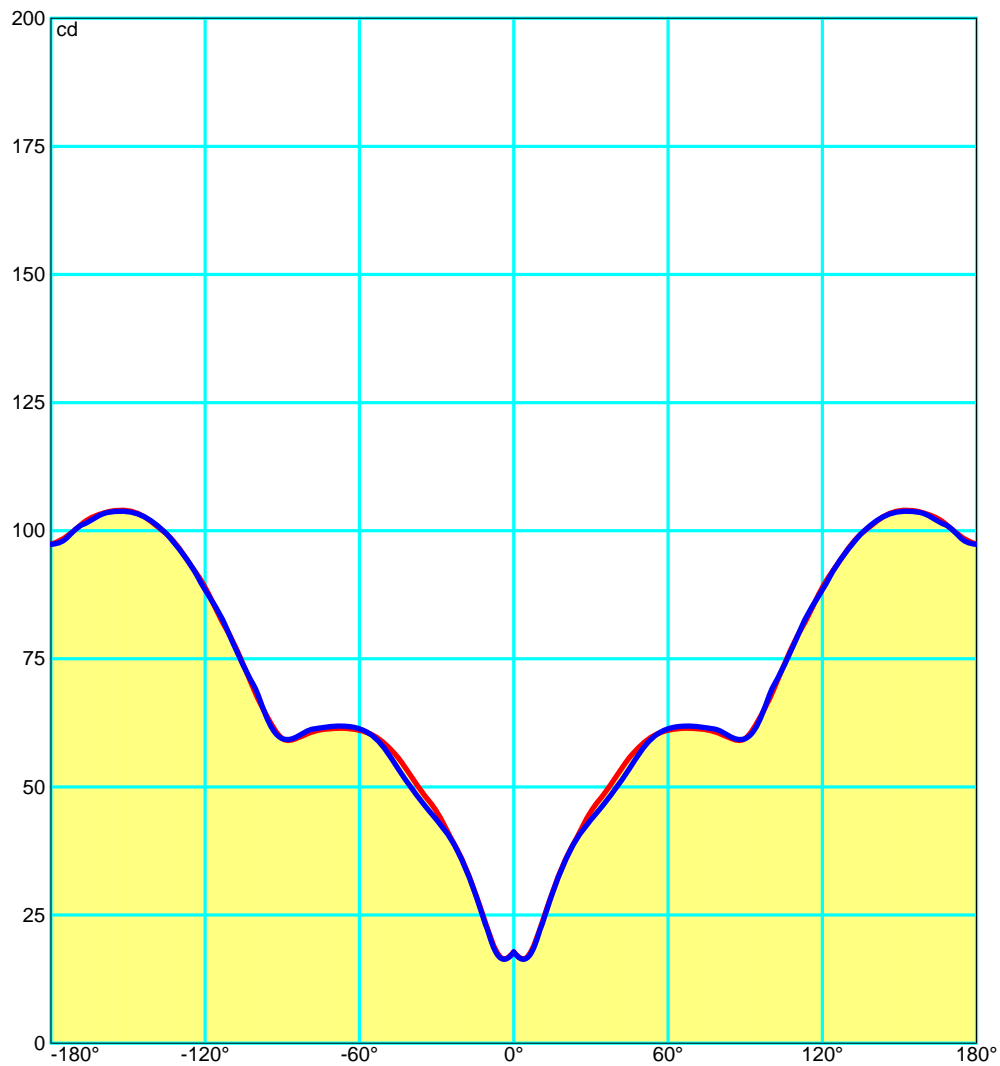


Luminaire		Measurem.		Lamp			
Code	25-9614-14-M1	Code	25-9614-14-M1	Code	STANDAR GOC 100W O		
Name	Pie salón SMOOTH 100W E27 A55	Name	Pie salón SMOOTH 100W E27 A55	Number	1		
Line	- LEDS-C4	Date	10-09-2015	Position	Universal		
Luminaire Flux	886.87 lm	Luminaire Power	100.00 W	Efficacy	8.87 lm/W	Efficiency	66.18%
Lamps Flux	1340.00 lm	Maximum value	104.49 cd	Position	C=75.00 G=155.00	CG	Asymmetrical

Diam=500mm



C Halfplanes



Luminaire		Measur.		Lamp			
Code	25-9614-14-M1	Code	25-9614-14-M1	Code	STANDAR GOC 100W O		
Name	Pie salón SMOOTH 100W E27 A55	Name	Pie salón SMOOTH 100W E27 A55	Number	1		
Line	- LEDS-C4	Date	10-09-2015	Position	Universal		
Luminaire Flux	886.87 lm	Luminaire Power	100.00 W	Efficacy	8.87 lm/W	Efficiency	66.18%
Lamps Flux	1340.00 lm	Maximum value	104.49 cd	Position	C=75.00 G=155.00	CG	Asymmetrical

UGR
S = 0.250

Reflectancies										
Ceiling/Cavity	0.7	0.7	0.5	0.5	0.3	0.7	0.7	0.5	0.5	0.3
Walls	0.5	0.3	0.5	0.3	0.3	0.5	0.3	0.5	0.3	0.3
WorkingPlane	0.2	0.2	0.2	0.2	0.2	0.2	0.2	0.2	0.2	0.2
RoomDimensions	ViewedCrosswise					ViewedEndwise				
x=2H y=2H	3.4	4.2	4.4	5.2	6.6	3.4	4.2	4.3	5.2	6.6
x=2H y=3H	6.2	6.9	7.2	8.0	9.4	6.2	7.0	7.2	8.0	9.4
x=2H y=4H	7.6	8.3	8.6	9.4	10.8	7.6	8.3	8.7	9.4	10.8
x=2H y=6H	9.0	9.7	10.0	10.7	12.2	9.0	9.7	10.1	10.8	12.2
x=2H y=8H	9.7	10.3	10.7	11.4	12.9	9.7	10.4	10.8	11.5	12.9
x=2H y=12H	10.4	11.0	11.4	12.1	13.5	10.4	11.0	11.5	12.1	13.5
x=4H y=2H	4.4	5.1	5.4	6.2	7.5	4.4	5.1	5.4	6.1	7.5
x=4H y=3H	7.3	7.9	8.3	9.0	10.4	7.3	7.9	8.4	9.0	10.4
x=4H y=4H	8.8	9.4	9.9	10.4	11.9	8.9	9.4	9.9	10.5	11.9
x=4H y=6H	10.4	10.9	11.4	11.9	13.4	10.4	10.9	11.5	12.0	13.4
x=4H y=8H	11.1	11.6	12.2	12.7	14.2	11.2	11.6	12.3	12.7	14.2
x=4H y=12H	11.9	12.3	13.0	13.4	14.9	11.9	12.4	13.0	13.4	14.9
x=8H y=4H	9.4	9.9	10.5	11.0	12.4	9.5	9.9	10.5	11.0	12.4
x=8H y=6H	11.2	11.6	12.3	12.7	14.2	11.2	11.6	12.3	12.7	14.2
x=8H y=8H	12.1	12.5	13.2	13.6	15.1	12.2	12.5	13.3	13.6	15.1
x=8H y=12H	13.0	13.3	14.1	14.5	16.0	13.1	13.4	14.2	14.5	16.0
x=12H y=4H	9.5	10.0	10.6	11.1	12.6	9.6	10.0	10.7	11.1	12.6
x=12H y=6H	11.4	11.8	12.5	12.9	14.4	11.5	11.8	12.6	12.9	14.4
x=12H y=8H	12.4	12.7	13.5	13.8	15.4	12.5	12.8	13.6	13.9	15.4

Luminaire		Measur.		Lamp	
Code	25-9614-14-M1	Code	25-9614-14-M1	Code	STANDAR GOC 100W O
Name	Pie salón SMOOTH 100W E27 A55	Name	Pie salón SMOOTH 100W E27 A55	Number	1
Line	- LEDS-C4	Date	10-09-2015	Position	Universal
Luminaire Flux	886.87 lm	Luminaire Power	100.00 W	Efficacy	8.87 lm/W
Lamps Flux	1340.00 lm	Maximum value	104.49 cd	Position	C=75.00 G=155.00
					CG Asymmetrical

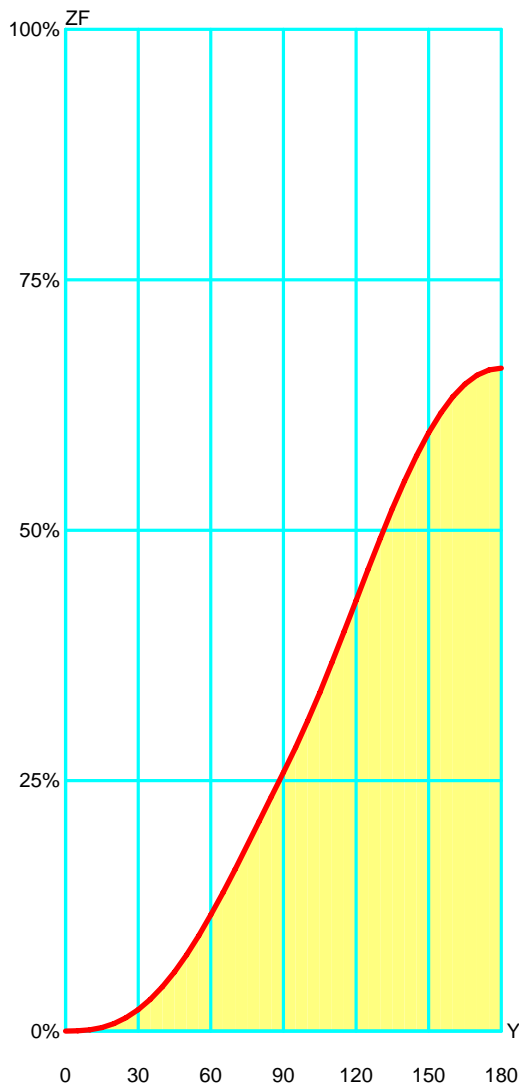
Total Flux=1340.00 Luminaire Flux=886.87

RI	0.60	0.80	1.00	1.25	1.50	2.00	2.50	3.00	4.00	5.00	10.00	20.00
DRR	0.11	0.17	0.22	0.28	0.33	0.42	0.48	0.53	0.60	0.65	0.78	0.87
RC	10	10	10	10	10	10	10	10	10	10	10	10

Zonal Flux per 1000 Lumen																		
Y°	10	20	30	40	50	60	70	80	90	100	110	120	130	140	150	160	170	180
ZF(Y)	1	8	21	44	76	116	161	210	258	310	368	430	492	549	597	633	655	662

CIE Flux Codes
19 45 73 39 66

C.I.E.	10	LOR	66.18408 %
D DIN 5040	D12	ULOR	40.36233 %
F UTE	0.26 J + 0.40 T	DLOR	25.82175 %
B NBN	BZ 9	UFF	60.98495 %
RN	60.98495 %	DFF	39.01505 %
BLF	1.0	FFR	156.31135 %



Zonal Flux				
Gamma °	Flux	Sum lm	Flux [%]	Sum [%]
0°	0.00	0.00	0.00%	0.00%
5°	0.30	0.30	0.05%	0.05%
10°	1.01	1.32	0.15%	0.20%
15°	2.24	3.56	0.34%	0.54%
20°	3.95	7.51	0.60%	1.14%
25°	5.91	13.43	0.89%	2.03%
30°	8.02	21.45	1.21%	3.24%
35°	10.25	31.70	1.55%	4.79%
40°	12.54	44.24	1.90%	6.68%
45°	14.84	59.08	2.24%	8.93%
50°	17.03	76.11	2.57%	11.50%
55°	19.05	95.16	2.88%	14.38%
60°	20.78	115.95	3.14%	17.52%
65°	22.18	138.12	3.35%	20.87%
70°	23.22	161.34	3.51%	24.38%
75°	23.93	185.28	3.62%	27.99%
80°	24.34	209.61	3.68%	31.67%
85°	24.36	233.97	3.68%	35.35%
90°	24.25	258.22	3.66%	39.02%
95°	24.89	283.11	3.76%	42.78%
100°	26.47	309.58	4.00%	46.78%
105°	28.26	337.84	4.27%	51.05%
110°	29.77	367.61	4.50%	55.54%
115°	30.81	398.42	4.66%	60.20%
120°	31.36	429.78	4.74%	64.94%
125°	31.33	461.11	4.73%	69.67%
130°	30.70	491.81	4.64%	74.31%
135°	29.51	521.32	4.46%	78.77%
140°	27.74	549.06	4.19%	82.96%
145°	25.46	574.52	3.85%	86.81%
150°	22.74	597.26	3.44%	90.24%
155°	19.64	616.90	2.97%	93.21%
160°	16.25	633.15	2.45%	95.67%
165°	12.66	645.81	1.91%	97.58%
170°	8.98	654.79	1.36%	98.93%
175°	5.31	660.09	0.80%	99.74%
180°	1.75	661.84	0.26%	100.00%

Luminaire		Measurem.		Lamp			
Code	25-9614-14-M1	Code	25-9614-14-M1	Code	STANDAR GOC 100W O		
Name	Pie salón SMOOTH 100W E27 A55	Name	Pie salón SMOOTH 100W E27 A55	Number	1		
Line	- LEDS-C4	Date	10-09-2015	Position	Universal		
Luminaire Flux	886.87 lm	Luminaire Power	100.00 W	Efficacy	8.87 lm/W	Efficiency	66.18%
Lamps Flux	1340.00 lm	Maximum value	104.49 cd	Position	C=75.00 G=155.00	CG	Asymmetrical

Right beam angle not found, gamma = -27

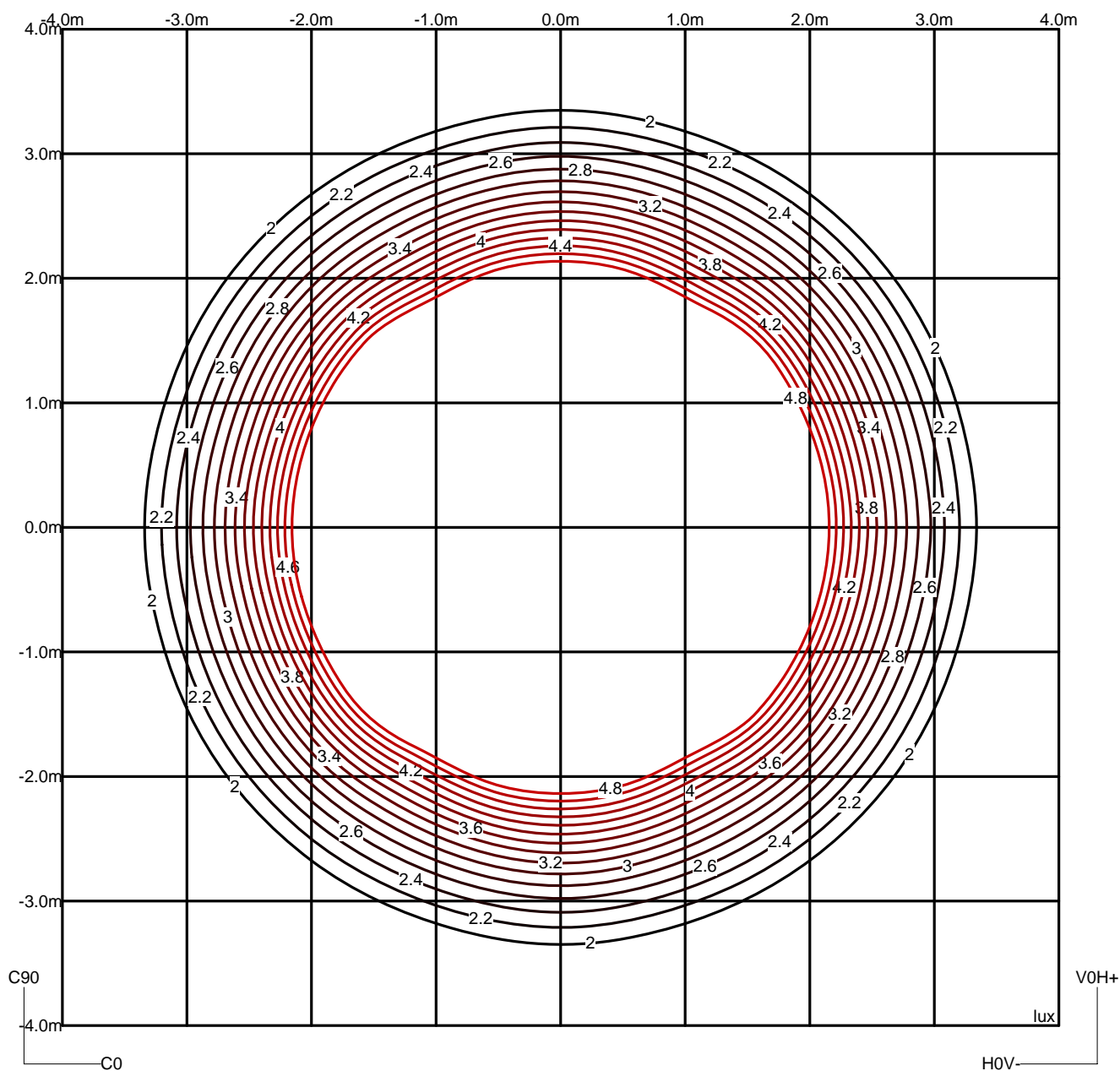
Right beam angle not found, gamma = -27

Right beam angle not found, gamma = -27

Luminaire		Measuram.		Lamp			
Code	25-9614-14-M1	Code	25-9614-14-M1	Code	STANDAR GOC 100W O		
Name	Pie salón SMOOTH 100W E27 A55	Name	Pie salón SMOOTH 100W E27 A55	Number	1		
Line	- LEDS-C4	Date	10-09-2015	Position	Universal		
Luminaire Flux	886.87 lm	Luminaire Power	100.00 W	Efficacy	8.87 lm/W	Efficiency	66.18%
Lamps Flux	1340.00 lm	Maximum value	104.49 cd	Position	C=75.00 G=155.00	CG	Asymmetrical

Isolux (Floor)

Luminaire position X=0.00m Y=0.00m Z=1.75m



Luminaire				Measur.				Lamp			
Code	25-9614-14-M1			Code	25-9614-14-M1			Code	STANDAR GOC 100W O		
Name	Pie salón SMOOTH 100W E27 A55			Name	Pie salón SMOOTH 100W E27 A55			Number	1		
Line	- LEDS-C4			Date	10-09-2015			Position	Universal		
Luminaire Flux	886.87 lm			Luminaire Power	100.00 W			Efficacy	8.87 lm/W		
Lamps Flux	1340.00 lm			Maximum value	104.49 cd			Position	C=75.00 G=155.00		
								Efficiency	66.18%		
								CG	Asymmetrical		

Utilizations CIE

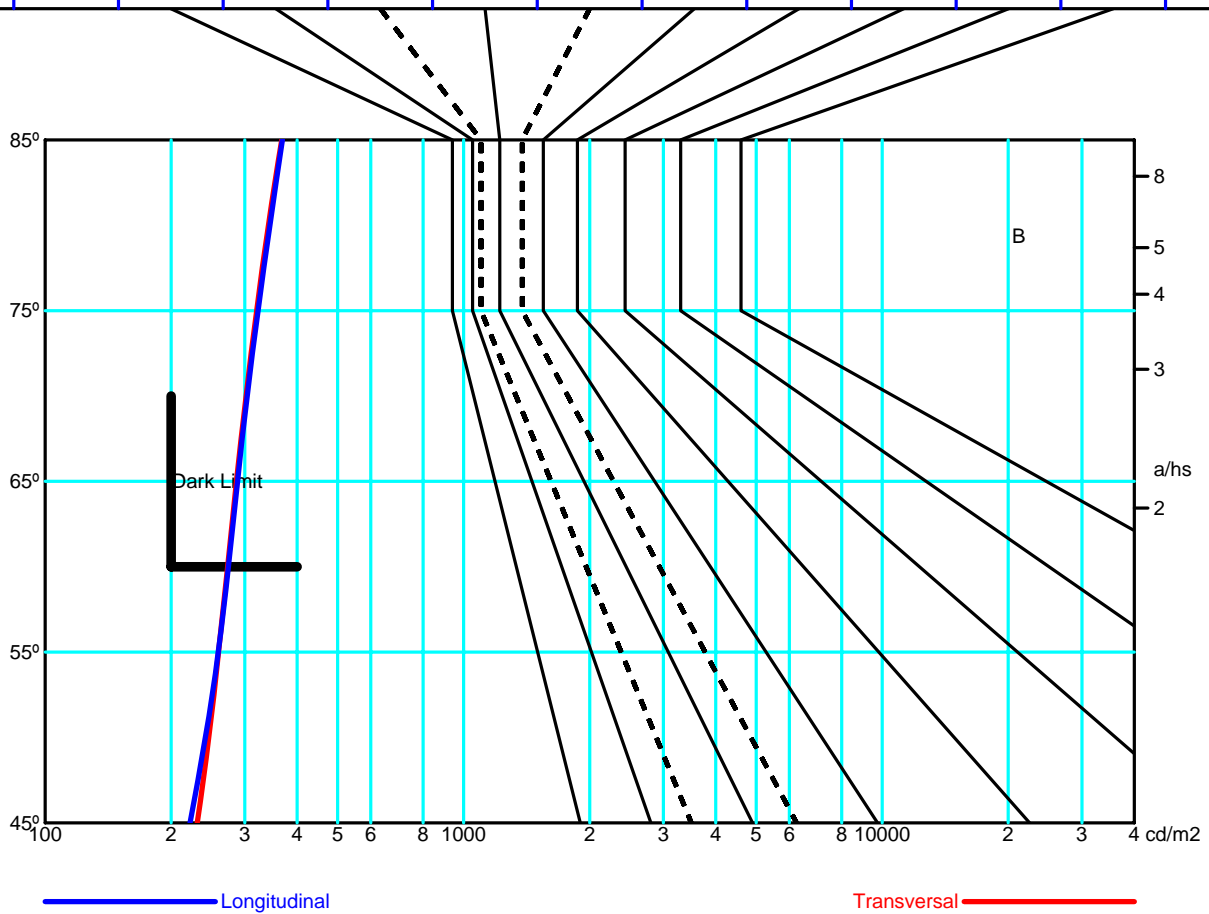
Mounting	Direct	Normalization		Normalised		Suspension Ratio ^b /3						Standard CIE Settings											
Ceiling																							
K	8873	8773	8871	8771	7773	7771	7753	7553	7751	7551	7731	7331	7711	7111	5551	5531	5331	5511	5111	3331	3311	1111	0000
0.60	420	377	400	361	359	345	321	273	313	267	292	220	277	188	250	236	208	225	180	197	190	164	151
0.80	463	425	433	399	404	381	361	316	347	305	322	256	304	222	285	268	242	256	212	230	220	194	179
1.00	493	459	452	423	436	405	391	349	370	332	344	283	324	248	311	293	269	278	237	255	244	218	202
1.25	519	489	466	441	465	424	420	381	389	356	363	309	342	274	335	316	293	300	262	279	267	241	224
1.50	538	511	474	453	486	436	441	406	403	374	377	328	356	294	352	333	312	317	281	298	286	260	242
2.00	562	540	482	466	515	450	472	442	420	397	396	355	375	323	376	357	340	341	310	325	312	288	269
2.50	577	558	485	472	533	457	493	467	431	411	408	374	388	343	391	373	358	358	331	344	331	309	288
3.00	587	571	486	475	546	462	509	485	438	421	416	387	398	358	401	385	371	370	346	357	345	324	303
4.00	600	587	486	478	562	466	530	511	446	433	427	404	411	379	415	400	389	387	367	376	365	346	323
5.00	607	597	485	479	572	468	544	528	450	440	434	415	419	393	423	410	401	398	381	388	378	360	336
10.00	622	617	480	477	592	469	574	565	458	453	448	438	439	424	439	431	426	422	413	414	407	393	367
20.00	629	626	476	474	601	467	591	586	461	459	455	450	449	442	447	441	439	436	431	428	424	412	384
Wall																							
K	8873	8773	8871	8771	7773	7771	7753	7553	7751	7551	7731	7331	7711	7111	5551	5531	5331	5511	5111	3331	3311	1111	0000
0.60	262	239	238	218	227	207	179	157	167	147	140	113	121	90	137	116	106	101	86	100	88	78	69
0.80	311	288	276	257	271	243	221	197	203	182	174	144	152	118	167	145	133	128	110	124	110	97	86
1.00	349	327	304	287	306	270	255	230	231	210	201	171	179	143	191	169	157	151	132	144	130	114	100
1.25	386	365	330	315	340	296	290	266	258	239	229	199	206	170	215	193	181	175	156	165	151	131	116
1.50	415	395	350	336	367	316	319	295	280	262	252	223	229	194	235	213	202	196	177	183	169	146	129
2.00	456	440	379	367	407	345	362	341	313	297	287	260	265	231	265	245	234	228	210	210	197	171	151
2.50	487	472	399	389	436	366	395	375	337	323	313	289	292	261	287	269	259	253	236	232	219	190	168
3.00	510	497	415	407	459	382	421	403	356	344	334	312	314	285	305	288	279	273	257	249	237	206	182
4.00	545	534	439	433	493	407	460	445	385	375	366	347	348	323	334	318	311	304	291	277	266	231	205
5.00	571	562	458	453	519	427	490	476	408	399	390	374	374	353	355	342	335	329	317	298	288	252	224
10.00	643	638	515	512	591	485	573	564	473	468	461	452	450	437	420	411	406	402	394	364	357	314	283
20.00	707	705	569	568	655	540	644	639	533	530	526	520	519	511	480	474	471	468	464	425	420	375	341
Working Pl.																							
K	8873	8773	8871	8771	7773	7771	7753	7553	7751	7551	7731	7331	7711	7111	5551	5531	5331	5511	5111	3331	3311	1111	0000
0.60	251	226	234	212	211	198	153	130	147	126	112	84	87	57	112	85	75	65	51	66	50	39	29
0.80	314	288	289	266	265	247	203	176	193	169	155	121	126	88	147	118	106	96	77	92	74	57	44
1.00	364	338	332	310	309	286	246	217	232	207	193	155	162	118	178	148	134	124	102	114	95	73	57
1.25	414	388	373	352	353	323	290	261	272	246	232	192	200	153	209	179	164	155	131	139	120	91	73
1.50	452	428	404	385	388	353	327	297	304	278	264	224	232	184	235	206	190	181	156	159	140	107	86
2.00	509	487	449	432	440	395	383	355	351	328	314	276	283	235	275	247	232	224	198	192	174	132	108
2.50	548	528	478	464	476	424	424	397	384	364	350	315	321	275	304	278	264	255	231	217	200	151	124
3.00	576	559	499	487	503	445	454	430	409	390	377	345	349	306	325	301	288	280	257	236	219	166	137
4.00	615	600	527	517	539	473	497	476	443	427	415	387	390	353	355	334	322	315	294	262	248	188	156
5.00	639	627	545	537	563	491	526	508	465	451	440	416	418	385	374	356	346	339	321	280	267	203	169
10.00	695	688	584	579	616	531	593	582	515	507	499	485	484	464	420	408	403	397	386	324	316	240	202
20.00	727	723	605	603	647	554	634	628	544	540	535	527	526	515	448	441	438	434	428	353	347	265	224

LM53 SHR C0-C180: 3.201 SHR C90-C270: 3.201 SHR Square: 2.570

Luminaire		Measuram.		Lamp			
Code	25-9614-14-M1	Code	25-9614-14-M1	Code	STANDAR GOC 100W O		
Name	Pie salón SMOOTH 100W E27 A55	Name	Pie salón SMOOTH 100W E27 A55	Number	1		
Line	- LEDS-C4	Date	10-09-2015	Position	Universal		
Luminaire Flux	886.87 lm	Luminaire Power	100.00 W	Efficacy	8.87 lm/W	Efficiency	66.18%
Lamps Flux	1340.00 lm	Maximum value	104.49 cd	Position	C=75.00 G=155.00	CG	Asymmetrical

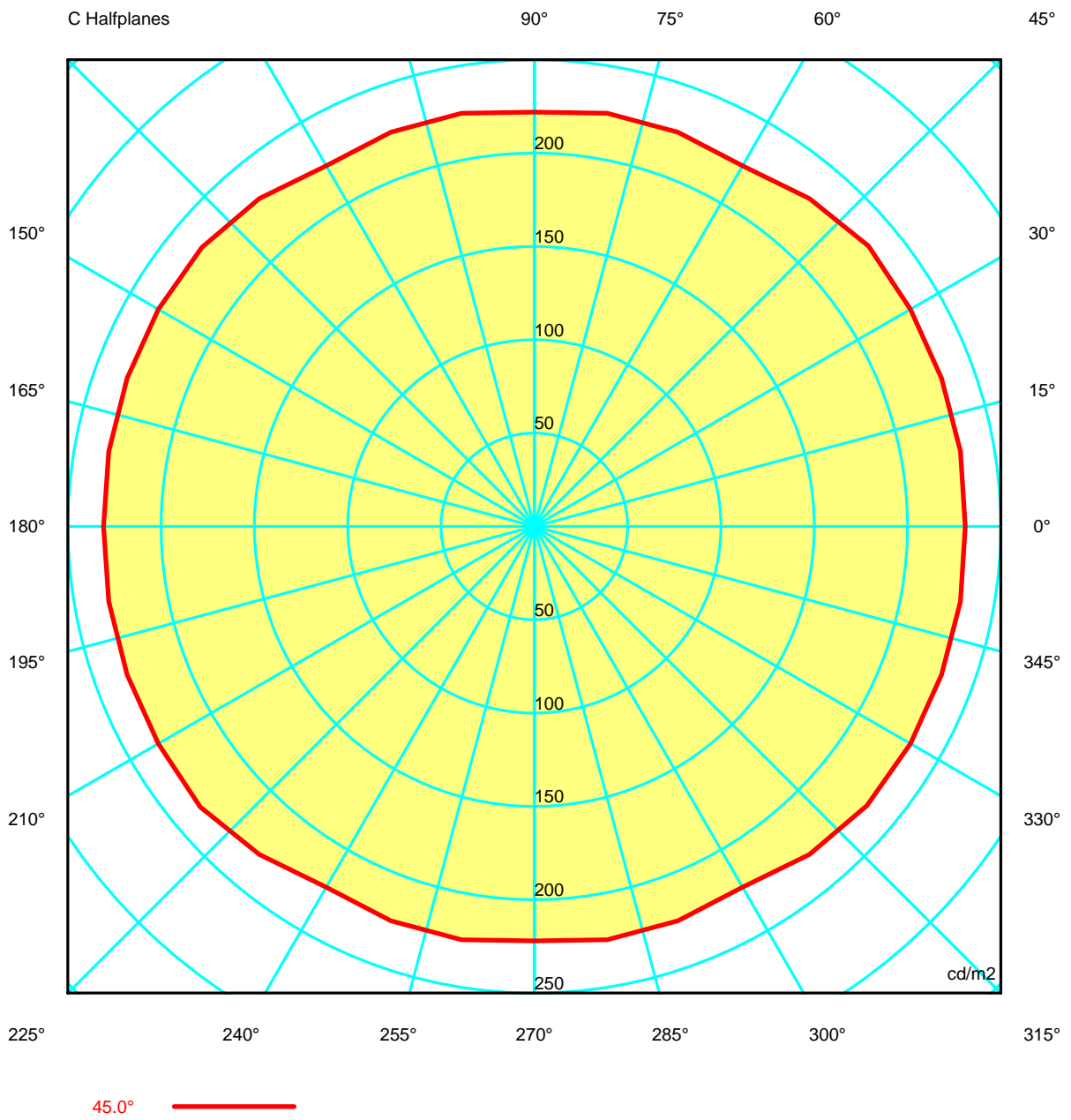
Average Luminance [cd/m ²]										
	45°	50°	55°	60°	65°	70°	75°	80°	85°	
0.0°	231	246	260	273	287	302	320	342	367	---
90.0°	222	242	259	274	288	304	322	345	369	---

Flush mounted or transversal view												
		Illumination(lx)										
A	A	2000	1000	750	500		<300				1.15	
B	1		2000	1500	1000	750	500	<300			1.5	
C					2000		1000	500	<300		1.85	
D	2						2000	1000	500	<300	2.2	
E	3							2000	1000	500	<300	2.55



Luminaire		Measur.		Lamp			
Code	25-9614-14-M1	Code	25-9614-14-M1	Code	STANDAR GOC 100W O		
Name	Pie salón SMOOTH 100W E27 A55	Name	Pie salón SMOOTH 100W E27 A55	Number	1		
Line	- LEDS-C4	Date	10-09-2015	Position	Universal		
Luminaire Flux	886.87 lm	Luminaire Power	100.00 W	Efficacy	8.87 lm/W	Efficiency	66.18%
Lamps Flux	1340.00 lm	Maximum value	104.49 cd	Position	C=75.00 G=155.00	CG	Asymmetrical

Luminance



Luminaire		Measurem.		Lamp	
Code	25-9614-14-M1	Code	25-9614-14-M1	Code	STANDAR GOC 100W O
Name	Pie salón SMOOTH 100W E27 A55	Name	Pie salón SMOOTH 100W E27 A55	Number	1
Line	- LEDS-C4	Date	10-09-2015	Position	Universal

Luminaire Flux	886.87 lm	Luminaire Power	100.00 W	Efficacy	8.87 lm/W	Efficiency	66.18%
----------------	-----------	-----------------	----------	----------	-----------	------------	--------

Lamps Flux	1340.00 lm	Maximum value	104.49 cd	Position	C=75.00 G=155.00	CG	Asymmetrical
------------	------------	---------------	-----------	----------	------------------	----	--------------

Luminance cd/m2 Table 1/3

	C 0.00	C 10.00	C 20.00	C 30.00	C 40.00	C 50.00	C 60.00	C 70.00	C 80.00	C 90.00	C 100.00	C 110.00	C 120.00
G 0.0	90.59	90.59	90.59	90.59	90.59	90.59	90.59	90.59	90.59	90.59	90.59	90.59	90.59
G 5.0	79.99	79.81	78.45	76.15	76.93	76.96	76.21	78.37	79.34	79.21	79.34	78.37	76.21
G 10.0	100.86	101.95	100.92	98.47	97.36	97.47	98.61	100.57	100.39	99.08	100.39	100.57	98.61
G 15.0	129.35	128.46	127.38	126.33	125.80	125.82	126.70	128.51	128.96	128.68	128.96	128.51	126.70
G 20.0	152.48	150.70	150.80	151.06	148.36	147.88	150.68	152.41	152.27	151.65	152.27	152.41	150.68
G 25.0	169.67	170.44	170.42	168.79	165.63	164.77	166.97	169.17	169.26	168.38	169.26	169.17	166.97
G 30.0	186.47	185.86	186.54	187.40	184.16	182.48	182.51	184.28	182.47	179.64	182.47	183.53	182.51
G 35.0	198.87	201.67	203.86	203.62	199.56	197.49	197.30	198.08	195.69	190.95	195.69	198.08	197.30
G 40.0	214.06	217.14	219.19	219.06	216.15	212.32	210.78	212.86	209.84	204.96	209.84	212.86	210.78
G 45.0	230.87	231.81	232.17	232.70	233.76	229.36	223.13	224.83	224.79	222.01	224.79	224.83	223.13
G 50.0	245.86	245.82	245.30	245.83	248.34	244.05	236.46	238.46	241.65	241.61	241.65	238.46	236.46
G 55.0	260.07	258.00	257.89	259.72	261.03	258.00	253.55	254.86	258.01	259.24	258.01	254.86	253.55
G 60.0	272.72	270.73	270.75	272.33	273.03	272.15	270.60	270.26	272.26	274.19	272.26	270.26	270.60
G 65.0	286.53	284.75	285.00	286.49	286.69	287.17	287.68	286.46	286.86	288.28	286.86	286.46	287.68
G 70.0	301.81	300.04	300.35	301.86	301.91	302.31	303.31	303.31	303.54	304.00	303.53	303.31	303.31
G 75.0	320.35	318.41	318.77	320.45	320.47	320.69	321.72	322.13	322.23	322.29	322.23	322.13	321.72
G 80.0	341.52	340.91	341.42	342.44	342.49	343.28	344.57	344.28	344.23	344.70	344.23	344.28	344.57
G 85.0	367.48	365.99	366.19	367.50	367.89	368.56	369.40	368.93	368.72	369.05	368.72	368.93	369.40
G 90.0	409.95	406.49	406.35	407.53	407.43	408.27	410.01	409.60	409.46	409.88	409.46	409.60	410.01

Luminaire		Measurem.		Lamp	
Code	25-9614-14-M1	Code	25-9614-14-M1	Code	STANDAR GOC 100W O
Name	Pie salón SMOOTH 100W E27 A55	Name	Pie salón SMOOTH 100W E27 A55	Number	1
Line	- LEDS-C4	Date	10-09-2015	Position	Universal

Luminaire Flux	886.87 lm	Luminaire Power	100.00 W	Efficacy	8.87 lm/W	Efficiency	66.18%
Lamps Flux	1340.00 lm	Maximum value	104.49 cd	Position	C=75.00 G=155.00	CG	Asymmetrical

Luminance cd/m2 Table 2/3

	C 130.00	C 140.00	C 150.00	C 160.00	C 170.00	C 180.00	C 190.00	C 200.00	C 210.00	C 220.00	C 230.00	C 240.00	C 250.00
G 0.0	90.59	90.59	90.59	90.59	90.59	90.59	90.59	90.59	90.59	90.59	90.59	90.59	90.59
G 5.0	76.96	76.92	76.15	78.49	79.81	79.99	80.17	78.49	76.15	76.92	76.96	76.21	78.37
G 10.0	97.47	97.34	98.47	101.02	101.70	100.86	101.70	101.02	98.47	97.34	97.47	98.61	100.57
G 15.0	125.82	125.81	126.33	127.32	128.61	129.35	128.61	127.32	126.33	125.81	125.82	126.70	128.51
G 20.0	147.87	148.39	151.06	150.65	151.06	152.48	151.06	150.65	151.06	148.39	147.87	150.68	152.41
G 25.0	164.78	165.62	168.79	170.48	170.29	169.67	170.29	170.48	168.79	165.62	164.78	166.97	169.17
G 30.0	181.70	184.17	187.40	186.54	186.22	186.47	186.22	186.54	187.40	184.17	182.48	182.51	184.28
G 35.0	196.60	199.52	203.62	204.06	201.18	198.87	201.18	204.06	203.62	199.52	197.49	197.30	198.08
G 40.0	212.33	216.11	219.06	219.41	216.58	214.06	216.58	219.41	219.06	216.11	212.33	210.78	212.85
G 45.0	229.37	232.61	232.70	232.24	231.63	230.87	231.63	232.24	232.70	233.75	229.37	223.13	224.83
G 50.0	244.05	246.98	245.83	245.69	245.81	245.86	245.81	245.30	245.83	248.34	244.05	236.46	238.46
G 55.0	257.99	261.06	259.72	257.73	258.41	260.07	258.41	257.73	259.72	261.06	257.99	253.55	254.86
G 60.0	272.14	273.06	272.33	270.59	271.13	272.72	271.13	270.59	272.33	273.06	272.14	270.60	270.26
G 65.0	287.16	286.72	286.49	284.86	285.12	286.53	285.12	284.86	286.49	286.72	287.16	287.68	286.46
G 70.0	302.30	301.91	301.86	300.21	300.41	301.81	300.41	301.86	301.91	301.86	302.30	303.31	303.31
G 75.0	320.68	320.50	320.45	318.61	318.81	320.35	318.81	318.61	320.45	320.50	320.68	321.72	322.14
G 80.0	343.28	342.50	342.44	341.36	341.05	341.52	341.05	341.36	342.44	342.50	343.28	344.57	344.28
G 85.0	368.55	367.91	367.50	366.07	366.29	367.48	366.29	366.07	367.50	367.91	368.55	369.40	368.93
G 90.0	408.25	407.47	407.53	406.35	407.17	409.95	407.17	406.35	407.53	407.47	408.25	410.01	409.60

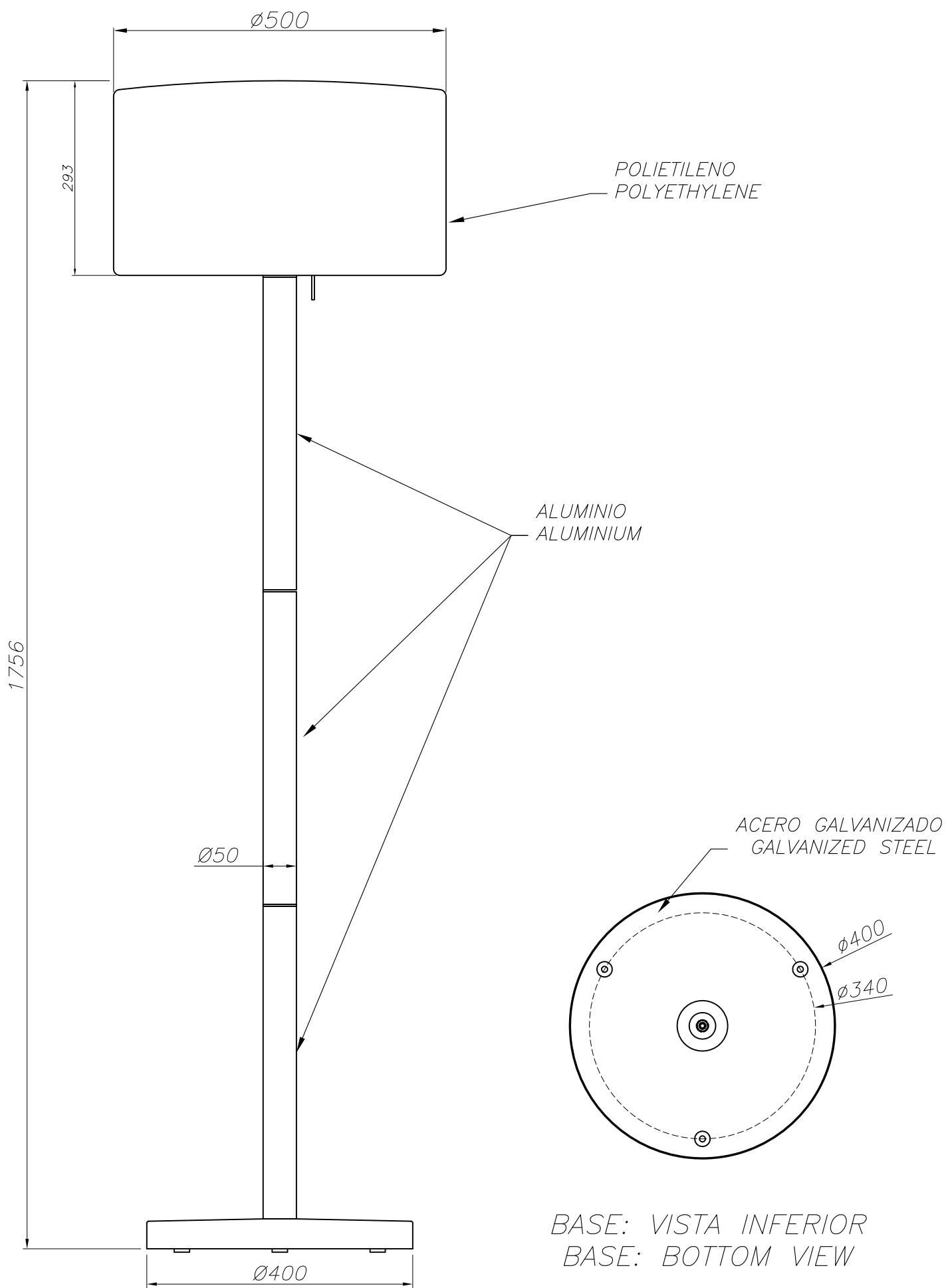
Luminaire		Measur.		Lamp	
Code	25-9614-14-M1	Code	25-9614-14-M1	Code	STANDAR GOC 100W O
Name	Pie salón SMOOTH 100W E27 A55	Name	Pie salón SMOOTH 100W E27 A55	Number	1
Line	- LEDS-C4	Date	10-09-2015	Position	Universal

Luminaire Flux	886.87 lm	Luminaire Power	100.00 W	Efficacy	8.87 lm/W	Efficiency	66.18%
----------------	-----------	-----------------	----------	----------	-----------	------------	--------

Lamps Flux	1340.00 lm	Maximum value	104.49 cd	Position	C=75.00 G=155.00	CG	Asymmetrical
------------	------------	---------------	-----------	----------	------------------	----	--------------

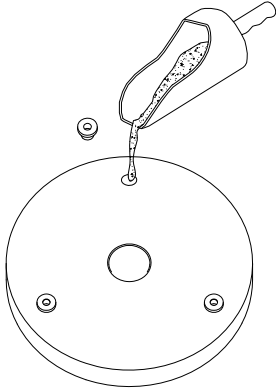
Luminance cd/m2 Table 3/3

	C 260.00	C 270.00	C 280.00	C 290.00	C 300.00	C 310.00	C 320.00	C 330.00	C 340.00	C 350.00
G 0.0	90.59	90.59	90.59	90.59	90.59	90.59	90.59	90.59	90.59	90.59
G 5.0	79.34	79.21	79.34	78.37	76.21	76.96	76.93	76.15	78.45	79.81
G 10.0	100.39	99.08	100.39	100.57	98.61	97.47	97.36	98.47	100.92	101.95
G 15.0	128.96	128.68	128.96	128.51	126.70	125.82	125.80	126.33	127.38	128.46
G 20.0	152.27	151.65	152.27	152.41	150.68	147.88	148.36	151.06	150.80	150.70
G 25.0	169.26	168.38	169.26	169.17	166.97	164.77	165.63	168.79	170.42	170.44
G 30.0	182.47	179.64	182.47	183.53	182.51	181.70	184.16	187.40	186.54	185.86
G 35.0	195.69	190.95	195.69	198.08	197.30	196.59	199.56	203.62	203.86	201.67
G 40.0	209.84	204.96	209.84	212.86	210.78	212.32	216.15	219.06	219.19	217.14
G 45.0	224.79	222.01	224.79	224.83	223.13	229.36	232.61	232.70	232.17	231.81
G 50.0	241.65	241.61	241.65	238.46	236.46	244.05	246.98	245.83	245.69	245.82
G 55.0	258.01	259.24	258.01	254.86	253.55	258.00	261.03	259.72	257.89	258.00
G 60.0	272.26	274.19	272.26	270.26	270.60	272.15	273.03	272.33	270.75	270.73
G 65.0	286.86	288.28	286.86	286.46	287.68	287.17	286.69	286.49	285.00	284.75
G 70.0	303.53	304.00	303.53	303.31	303.31	302.31	301.91	301.86	300.35	300.04
G 75.0	322.23	322.29	322.23	322.13	321.72	320.69	320.47	320.45	318.77	318.41
G 80.0	344.23	344.70	344.23	344.28	344.57	343.28	342.49	342.44	341.42	340.91
G 85.0	368.72	369.05	368.72	368.93	369.40	368.56	367.89	367.50	366.19	365.99
G 90.0	409.46	409.88	409.46	409.60	410.01	408.27	407.43	407.53	406.35	406.49

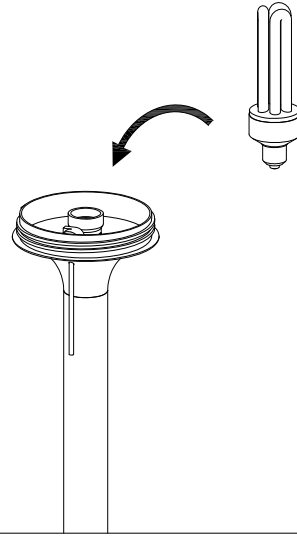


BASE: VISTA INFERIOR
BASE: BOTTOM VIEW

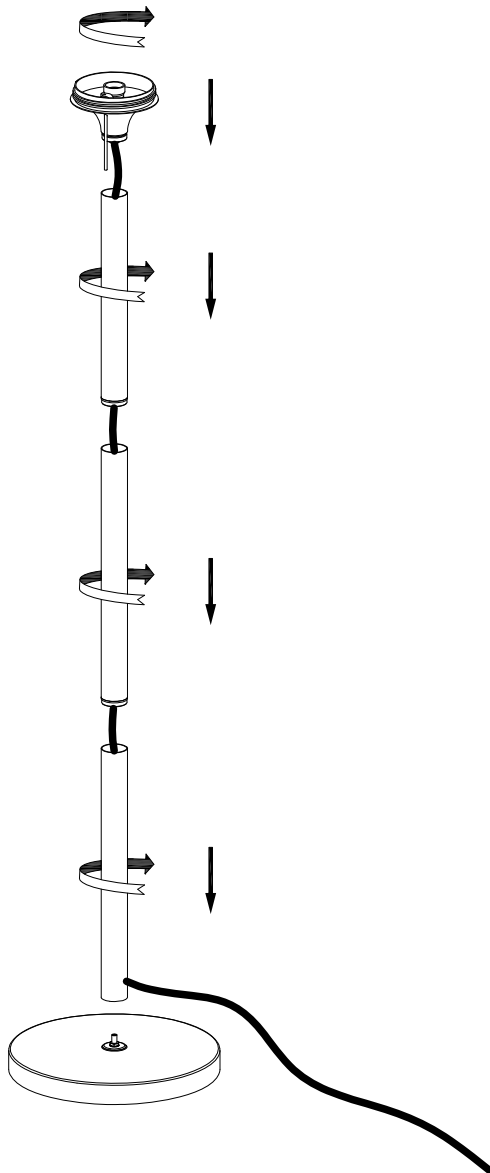
①



③



②



④

