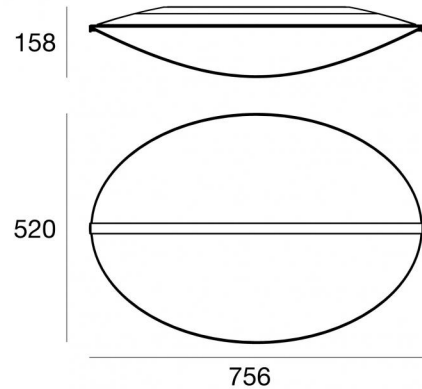
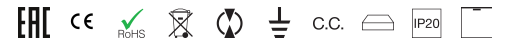




Ceiling Lights | 220-240 V  
140 topLED 35 W DC - 40 W AC | CRI 90  
**8167**



| Technical data                                 |                  |
|--|------------------|
| Construction year                              | 2018             |
| Type   | Surface          |
| Installation position                          | Ceiling          |
| Installation environment                       | Indoor           |
| Light Source                                   | LED              |
| Optics   | General Lighting |
| Light emission direction                       | downward         |
| Power  | 35 W             |
| Source lumens                                  | 4370 lm          |
| Frequency                                      | 60 - 50 Hz       |
| CCT / Tone                                     | 3000 K           |
| Colour rendering index                         | 90 Ra            |
| C.C. / C.V.                                    | AC               |
| Safety class                                   | 1                |
| IP   | IP20             |
| Glow wire test                                 | 650°             |
| Direct mounting on normally flammable surfaces | Yes              |
| CE   | Yes              |
| Driver included                                | Driver           |
| Dimmable article                               | Phase cut        |
| Directional                                    | No               |
| Tilting  | No               |
| Walk-over                                      | No               |
| Drive-over                                     | No               |
| Cable included                                 | No               |
| Resin potting                                  | No               |
| Type of light emission                         | Double emission  |
| Net weight                                     | 3.045 Kg         |
| Electrostatic discharge protection             | No               |
| Surge protection                               | No               |

| Finishing casing |           |
|------------------|-----------|
| Material         | Aluminium |
| Colour           | white     |
| Processing       | Coating   |

| Finishing diffuser |                  |
|--------------------|------------------|
| Material           | PMMA             |
| Colour             | transparent      |
| Processing         | Laser engravings |

| Finishing mounting frame |         |
|--------------------------|---------|
| Material                 | Iron    |
| Colour                   | white   |
| Processing               | Coating |

Ceiling Lights | 220-240 V | 140 topLED 35 W DC - 40 W AC | CRI 90 | Base 8167

Double emission ceiling lights for indoor application. The warm white LED light source with a general lighting light distribution is composed of 140 topLED LEDs with CCT of 3000 K and a CRI 90; the source luminous flux is 4370 lm, with a 124.9 lm/W nominal luminous efficacy.

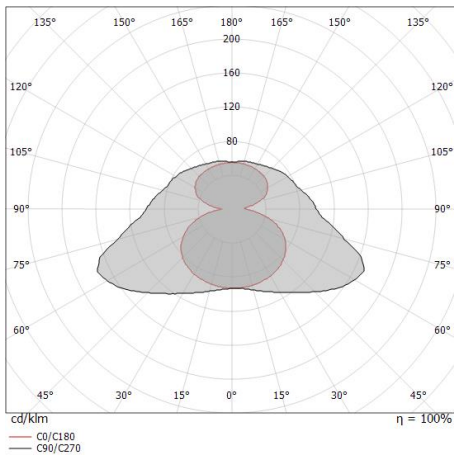
The device body is made of aluminium and features a white finish, processed by means of coating; the diffuser is made of pmma with a laser engravings treatment; the mounting frame is made of iron, with a white finish, processed by means of coating. The ingress protection degree is IP20; the total weight is of 3.045 kg.

The total absorbed power is 35 W.

The device features protection class I and can be ceiling-mounted.

Compliant with the EN 60598-1 standard and its specific provisions.

| Illuminotechnical Features              |                |
|---|----------------|
| Light Output Ratio (LOR)                | 95 %           |
| Source lumens                           | 4370 lm        |
| Delivered lumens                        | 4159 lm        |
| Consumption                             | 40 W           |
| Luminaire efficacy                      | 103 lm/W       |
| Colour temperature                      | 3000 K         |
| Standard Deviation of Colour Matching   | 3 Step MacAdam |
| Colour rendering index                  | 90 Ra          |
| Junction temperature (lighting fixture) | 80             |
| Standard Operating Ambient Temperature  | 25             |
| LED Life / Failure Ratio                |                |
| L80 B20 C0 80000h                       |                |
| OPTICAL                                 |                |
| Light distribution symmetry             | Symmetrical 2  |
| C90/C270 optics                         | 180°           |





Diphy\_S | Ceiling Lights | Accessories  
8167



Dimmer  
220-240V

**Code**  
KIT0026



Dimmer  
Radio-frequenza, 85-240V

**Code**  
KIT0080