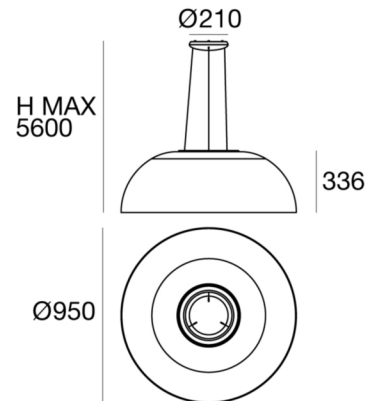
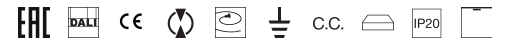


Pendant Luminaires | 220-240 V
topLED 55 W DC - 55 W AC | CRI 80
8891



Technical data	
Designer	Mirco Crosatto
Construction year	2019
Type	Surface
Installation position	Ceiling
Installation environment	Indoor
Light Source	LED
Optics	General Lighting
Light emission direction	downward and upward
Power	55 W
Source lumens	7150 lm
Frequency	60 - 50 Hz
CCT / Tone	3000 K
Colour rendering index	80 Ra
C.C. / C.V.	AC
Safety class	1
IP	IP20
Glow wire test	650°
Direct mounting on normally flammable surfaces	No
CE	Yes
Driver included	Driver
Dimmable article	DALI - PUSH DIM
Directional	No
Tilting	No
Walk-over	No
Drive-over	No
Cable included	Yes
Cable length	2,5 m
Resin potting	No
Type of light emission	Double emission
Net weight	6,51 Kg
Electrostatic discharge protection	No
Surge protection	No
Optics technology	Optilight TM

Finishing casing

Material	Die-cast Aluminium
Colour	embossed white RAL 9003

Finishing diffuser

Colour	transparent
Processing	Laser engravings

Finishing mounting frame

Material	Iron
Colour	embossed white RAL 9003
Processing	Coating

Cables Pendant Luminaires

Max cable length	5300 mm
------------------	---------

Pendant Luminaires | 220-240 V | topLED 55 W DC - 55 W AC | CRI 80 | Base 8891

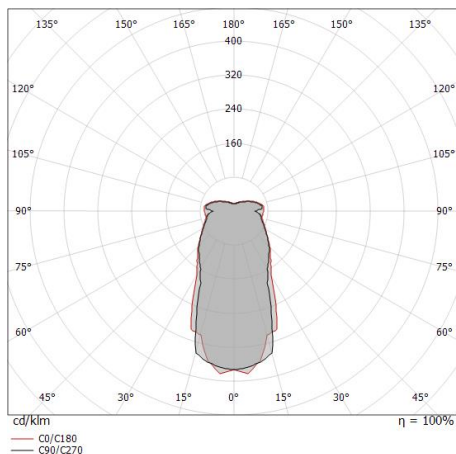
Double emission pendant luminaires for indoor application. The warm white LED light source with a general lighting light distribution is composed of 252 topped LEDs with CCT of 3000 K and a CRI 80; the source luminous flux is 7150 lm, with a 130.0 lm/W nominal luminous efficacy.

The device body is made of die-cast aluminium and features a embossed white ral 9003 finish; the diffuser is made with a laser engravings treatment; the mounting frame is made of iron, with a embossed white ral 9003 finish, processed by means of coating. The ingress protection degree is IP20; the total weight is of 6,51 kg.

The total absorbed power is 55 W. The power supply cable is included and features a 2,5 m length.

The device features protection class I and can be ceiling-mounted.

Compliant with the EN 60598-1 standard and its specific provisions.



Distance [m]	Cone diameter [m]	illuminance [lx]
0.5	0.46 0.54	E(0°) 4484 E(C90) 24.9° 1674 E(C0) 28.3° 1580
1.0	0.93 1.08	E(0°) 1121 E(C90) 24.9° 418 E(C0) 28.3° 395
1.5	1.39 1.62	E(0°) 498 E(C90) 24.9° 186 E(C0) 28.3° 176
2.0	1.86 2.15	E(0°) 280 E(C90) 24.9° 105 E(C0) 28.3° 99
2.5	2.32 2.69	E(0°) 179 E(C90) 24.9° 67 E(C0) 28.3° 63
3.0	2.79 3.23	E(0°) 125 E(C90) 24.9° 46 E(C0) 28.3° 44

— C0/C180 (Half-peak divergence: 56.6°)
— C90/C270 (Half-peak divergence: 49.8°)

Illuminotechnical Features	
Light Output Ratio (LOR)	41 %
Source lumens	7150 lm
Delivered lumens	2998 lm
Consumption	55 W
Luminaire efficacy	54 lm/W
Colour temperature	3000 K
Standard Deviation of Colour Matching	3 Step MacAdam
Colour rendering index	80 Ra
Junction temperature (lighting fixture)	80
Standard Operating Ambient Temperature	25

LED Life / Failure Ratio	
L70 B20 C0 72.5h (at Tj 115 Ta 25)	

UGR	
UGR axial	< 19
UGR transversal	< 19
X=4H Y=8H	S=0.25H
Reflection factor	70/50/20

OPTICAL	
Light distribution simmetry	Symmetrical 2
C0/C180 optics	57°
C90/C270 optics	50°



Demi | Pendant Luminaires | Accessories
8891



Dimmer
Bluetooth, 220-240V

Code
KIT0079