



Afrodita Infinite

LedsC4 Team

Wall fixture IP66 Afrodita Infinite LED 24.8 LED warm-white 3000K 0-10V/1-10V Urban grey 1388lm

Technical features

- Luminaire total power: 24.8W
- Real lumens: 1388
- Real lm/W: 56
- Correlated Colour Temperature (CCT): LED warm-white 3000K
- Lens / reflector angle: FLOOD 90°
- Structure material: Aluminium
- Structure finish: Urban grey
- Diffuser material: Glass
- Diffuser finish: Sandblasted
- Voltage / frequency: 120-277V/50-60Hz
- Dimming protocol: 0-10V/1-10V
- Power Factor: 0.95
- Useful life: 50,000h L80B20
- Max. temperature: 50°C
- Warranty: 5 años
- Resistant to marine environments: Yes
- Easily recyclable luminaire



Luminotechnic features

- CRI: 80
- MacAdam steps: 3
- Photobiological risk: RGO
- UGR crosswise: 20.9
- UGR lengthwise: 18.9

Lampholder	Quantity	Light source power (W)
LED	1	20.3W

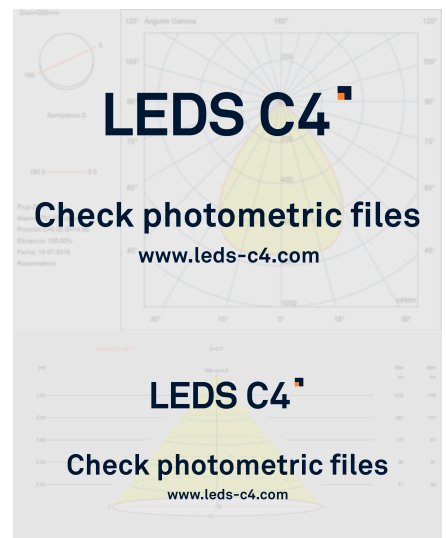
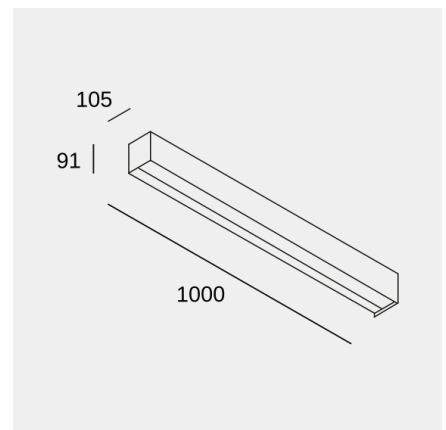


Image may not match reference. LedsC4 reserves the right to amend any of the product's components. The data related to flux, power and colour temperature may be subject to changes made by the manufacturer.



Afrodita Infinite

LedsC4 Team

Wall fixture IP66 Afrodita Infinite LED 24.8 LED warm-white 3000K 0-10V/1-10V Urban grey 1388lm

Logistics



x 2

Net weight (kg): 5.87

Packaged weight (kg): 6.36

Packaging: 145mm x 135mm x
1030mm

Image may not match reference. LedsC4 reserves the right to amend any of the product's components. The data related to flux, power and colour temperature may be subject to changes made by the manufacturer.