



Afrodita Tech Small Single Emission

LedsC4 Team

Wall fixture IP65 Afrodita Tech Small Single Emission LED 7.1W LED warm-white 3000K ON-OFF Urban grey 180lm

Technical features

- Luminaire total power: 7.1W
- Real lumens: 180
- Real lm/W: 25
- Correlated Colour Temperature (CCT): LED warm-white 3000K
- Lens / reflector angle: FLOOD 68°
- UGR: <=22
- Structure material: Aluminium
- Structure finish: Urban grey
- Diffuser material: Glass
- Diffuser finish: Transparent
- Voltage / frequency: 100-240V/50-60Hz
- Dimming protocol: ON-OFF
- Power Factor: 0.90
- Useful life: 50,000h L80B20
- Warranty: 5 años
- Resistant to marine environments: Yes
- Easily recyclable luminaire



Luminotechnic features

- CRI: 80
- MacAdam steps: 3
- Photobiological risk: RG2
- UGR crosswise: 13.7
- UGR lengthwise: 19.6

| Lampholder | Quantity | Light source power (W) |
|------------|----------|------------------------|
| LED | 1 | 6W |

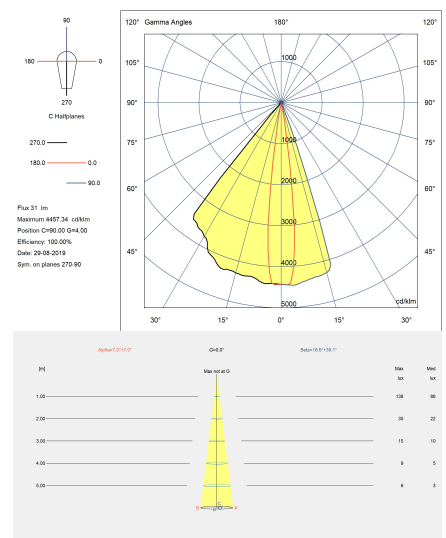
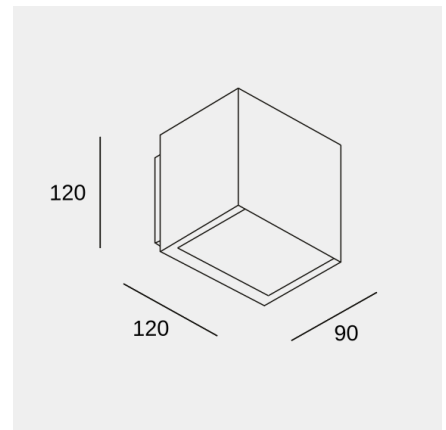
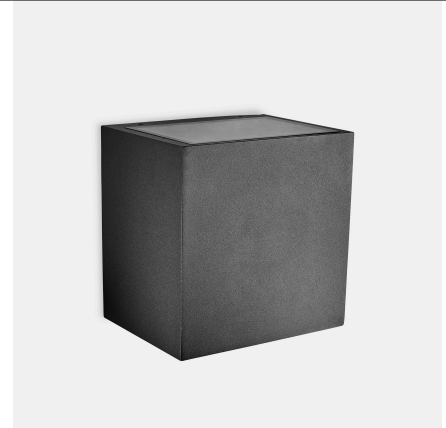


Image may not match reference. LedsC4 reserves the right to amend any of the product's components. The data related to flux, power and colour temperature may be subject to changes made by the manufacturer.



Afrodita Tech Small Single Emission

LedsC4 Team

Wall fixture IP65 Afrodita Tech Small Single Emission LED 7.1 LED warm-white 3000K ON-OFF Urban grey 180lm

Logistics



x 8

Net weight (kg): 1.13

Packaged weight (kg): 1.38

Packaging: 135mm x 135mm x 140mm

Image may not match reference. LedsC4 reserves the right to amend any of the product's components. The data related to flux, power and colour temperature may be subject to changes made by the manufacturer.



Afrodita Tech Small Single Emission

LedsC4 Team

Wall fixture IP65 Afrodita Tech Small Single Emission LED 7.1 LED warm-white 3000K ON-OFF Urban grey 180lm

Accessories included



Accessory to create a narrow beam of light

Image may not match reference. LedsC4 reserves the right to amend any of the product's components. The data related to flux, power and colour temperature may be subject to changes made by the manufacturer.