



Afrodita Tech Big Single Emission

LedsC4 Team

Wall fixture IP66 Afrodita Tech Big Single Emission LED 22.3 LED warm-white 3000K 0-10V Urban grey 721lm

Technical features

- Luminaire total power: 22.3W
- Real lumens: 721
- Real lm/W: 32
- Correlated Colour Temperature (CCT): LED warm-white 3000K
- Lens / reflector angle: FLOOD 63°
- Structure material: Aluminium
- Structure finish: Urban grey
- Diffuser material: Glass
- Diffuser finish: Transparent
- Driver Brand: INVENTRONICS
- Voltage / frequency: 100-240V/50-60Hz
- Dimming protocol: 0-10V
- Power Factor: 0.95
- Useful life: 50,000h L80B20
- Warranty: 5 años
- Resistant to marine environments: Yes
- Easily recyclable luminaire



Luminotechnic features

- CRI: 80
- MacAdam steps: 2
- Photobiological risk: RG1
- UGR crosswise: 22.2
- UGR lengthwise: 16.9

Lampholder	Quantity	Light source power (W)
LED	1	19.3W

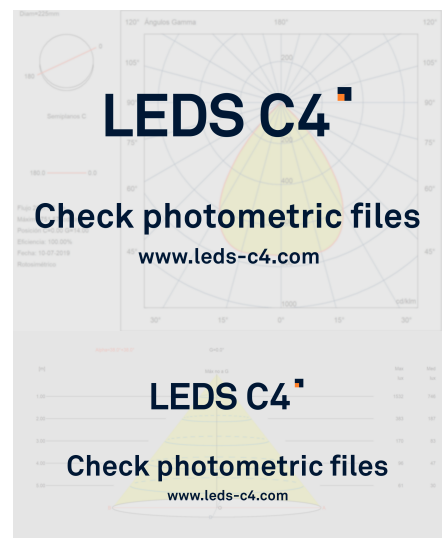
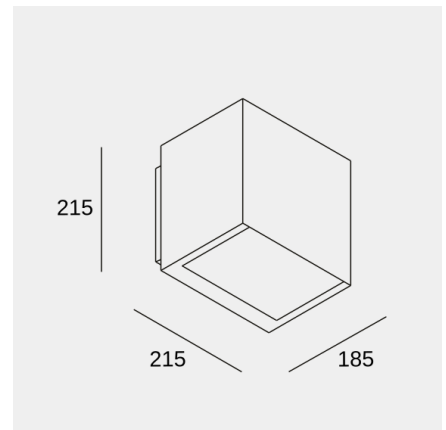


Image may not match reference. LedsC4 reserves the right to amend any of the product's components. The data related to flux, power and colour temperature may be subject to changes made by the manufacturer.

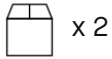


Afrodita Tech Big Single Emission

LedsC4 Team

Wall fixture IP66 Afrodita Tech Big Single Emission LED 22.3 LED warm-white 3000K 0-10V Urban grey 721lm

Logistics



x 2

Net weight (kg): 5.73

Packaged weight (kg): 6.33

Packaging: 230mm x 230mm x
255mm

Image may not match reference. LedsC4 reserves the right to amend any of the product's components. The data related to flux, power and colour temperature may be subject to changes made by the manufacturer.



Afrodita Tech Big Single Emission

LedsC4 Team

Wall fixture IP66 Afrodita Tech Big Single Emission LED 22.3 LED warm-white 3000K 0-10V Urban grey 721lm

Optional accessories



71-E078-Z5-00

Magnifier to create a narrow beam of light

Structure material: Aluminium

Dimensions: 125 x 193 x 30

Net weight (kg): 0.82

Image may not match reference. LedsC4 reserves the right to amend any of the product's components. The data related to flux, power and colour temperature may be subject to changes made by the manufacturer.