



Afrodita LED 220mm Double Emission

LedsC4 Team

Wall fixture IP66 Afrodita LED 220mm Double Emission LED 17.9 LED warm-white 3000K ON-OFF Urban grey 1528lm

Technical features

- Luminaire total power: 17.9W
- Real lumens: 1528
- Real lm/W: 85
- Correlated Colour Temperature (CCT): LED warm-white 3000K
- Lens / reflector angle: FLOOD 91°
- Structure material: Aluminium
- Structure finish: Urban grey
- Diffuser material: Glass
- Diffuser finish: Partly-sandblasted
- Voltage / frequency: 100-240V/50-60Hz
- Dimming protocol: ON-OFF
- Power Factor: 0.94
- Useful life: 50,000h L80B20
- Warranty: 5 años
- Resistant to marine environments: Yes
- Easily recyclable luminaire



Luminotechnic features

- Melanopic ratio: 0.501
- CRI: 80
- MacAdam steps: 3
- Photobiological risk: RG0
- UGR crosswise: 19.0
- UGR lengthwise: 15.0

Lampholder	Quantity	Light source power (W)
LED	1	15.8W

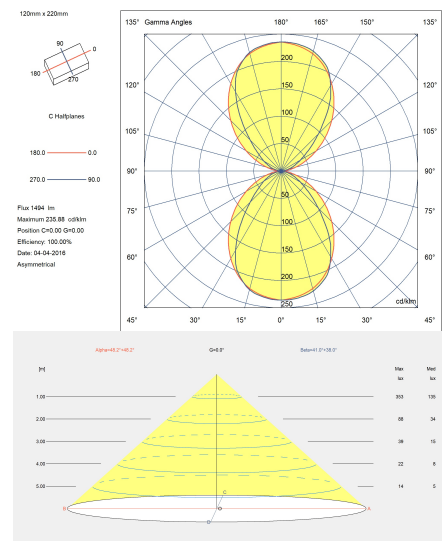
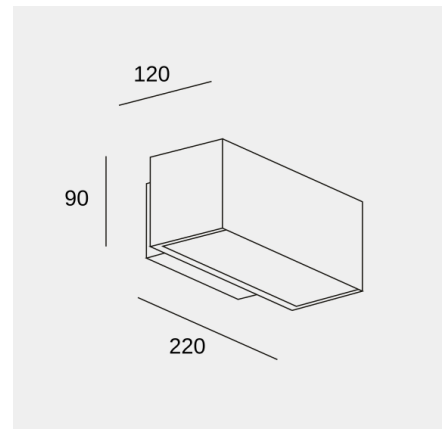


Image may not match reference. LedsC4 reserves the right to amend any of the product's components. The data related to flux, power and colour temperature may be subject to changes made by the manufacturer.



Afrodita LED 220mm Double Emission

LedsC4 Team

Wall fixture IP66 Afrodita LED 220mm Double Emission LED 17.9 LED warm-white 3000K ON-OFF Urban grey 1528lm

Logistics



x 4

Net weight (kg): 1.48

Packaged weight (kg): 1.57

Packaging: 230mm x 130mm x 100mm

Light application



Image may not match reference. LedsC4 reserves the right to amend any of the product's components. The data related to flux, power and colour temperature may be subject to changes made by the manufacturer.