

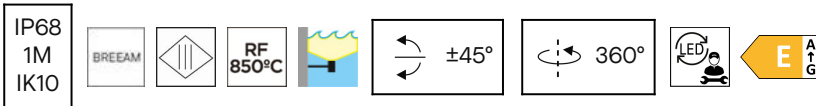


## Aqua Spotlight AISI 316

Underwater IP68 1M Aqua Spotlight AISI 316 LED 5 LED neutral-white 4000K AISI 316 stainless steel 311lm

### Technical features

- Luminaire total power: 5W
- Real lumens: 311
- Real lm/W: 62
- Correlated Colour Temperature (CCT): LED neutral-white 4000K
- Lens / reflector angle: MEDIUM 24°
- UGR: <=19
- Structure material: Stainless steel AISI316
- Structure finish: AISI 316 stainless steel
- Diffuser material: Glass
- Diffuser finish: Transparent
- Equipment necessary but not included
- Voltage / frequency: 12V AC/DC
- Useful life: 50,000h L80B20
- Warranty: 5 años
- Resistant to marine environments: Yes
- Easily recyclable luminaire



### Luminotechnic features

- CRI: 90
- MacAdam steps: 3
- Photobiological risk: RG2
- UGR crosswise: 18.7
- UGR lengthwise: 18.6

Lampholder	Quantity	Light source power (W)	Correlated Colour Temperature (CCT)
LED	1	5W	LED neutral-white 4000K

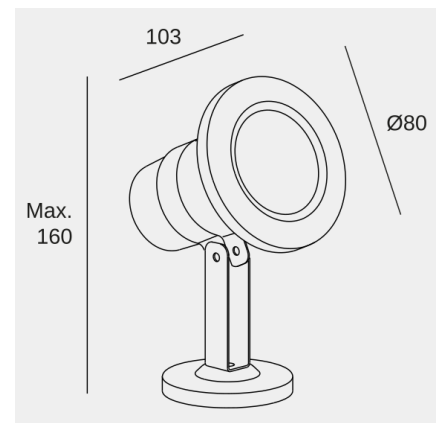


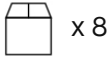
Image may not match reference. LedsC4 reserves the right to amend any of the product's components. The data related to flux, power and colour temperature may be subject to changes made by the manufacturer.



## Aqua Spotlight AISI 316

Underwater IP68 1M Aqua Spotlight AISI 316 LED 5 LED neutral-white 4000K AISI 316 stainless steel 311lm

### Logistics



x 8

Net weight (kg): 0.55

Packaged weight (kg): 0.69

Packaging: 100mm x 100mm x 180mm

Image may not match reference. LedsC4 reserves the right to amend any of the product's components. The data related to flux, power and colour temperature may be subject to changes made by the manufacturer.



## Aqua Spotlight AISI 316

Underwater IP68 1M Aqua Spotlight AISI 316 LED 5 LED neutral-white 4000K AISI 316 stainless steel 311lm

### Accessories included



Spike

### Optional accessories



71-E112-00-00

IP68 anti-condensation connector with two inlets

Structure material: Technopolymer  
Dimensions: 23 x 88 x NA  
Net weight (kg): 0.04



71-E122-00-00

IP68 anti-condensation connector with four inlets

Structure material: Technopolymer  
Dimensions: 54 x 88 x 28  
Net weight (kg): 0.09



71-9199-05-05

IP68 connector with six inlets

Structure material:  
Dimensions: NA x NA x NA  
Net weight (kg): 0.26



71-E512-00-00

Structure material: Nylon  
Dimensions: 24 x 71 x NA



71-E513-00-00

Structure material: Nylon  
Dimensions: 25 x 102 x 65

Image reference. LedsC4 reserves the right to amend any of the product's components. The data related to flux, power and colour temperature may be subject to change without notice. Made by the manufacturer.