

ELAMP Apliques Cama

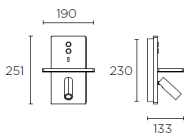
Designer: Francesc Vilaró



Description

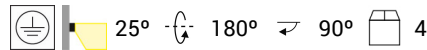
Wall light for indoor use.

For frontal lighting and downlighting. Design by F. Vilaró. Timeless design. Highly customisable: accessories, finishes... No visible screws. Full collection with complementary products. High durability for intensive use. The optical module can easily be rotated 360°. Structure material: Aluminium. Structure finish: Black. Blades finishes: NA. Warranty: 5 Years.



Finish
Black
NA

Material
Aluminium



TECHNICAL CHARACTERISTICS

Light source

Light source: LED CREE
Output (W): 2.2W
Total power consumption (W): 14.7
Color temperature: LED warm-white 2700K
CRI: 80
Photobiological risk: RG0
Real Lumen: 115
Qty Leds: 1
Lm/Real W: 8
Life Time: 50.000h L80B20
Bin / Grup: 8A3 o 8D2
MacAdam steps: 3
UGR: 24.7

GEAR

Brand: HEP
Gear included: Yes, electronic
Voltage / Frequency: 100-240 VAC
Power Factor: 0.50

Luminaire

Recessed in-ground suitable for pedestrian crossing: No
Warranty: 5 Years

Logistics

Energy Efficiency: LED A++
EAN Code: 8435526891054
Net Weight (Kg): 1.820
Weight in Kg (packaged): 2.430
Packing: 305 x 240 x 190
Masterbox: 4

Light source

Light source: LED SAMSUNG
Output (W): 9W
Total power consumption (W): 14.7
Color temperature: LED warm-white 2700K
CRI: 80
Photobiological risk: RG0
Real Lumen: 336
Lm/Real W: 23
Life Time: 50.000 L70B30
Bin / Grup: WA o WB
MacAdam steps: 3

The photograph may not match the reference exactly. Please read the product description to identify the finish.

Luminaria

Código 05-7606-05-05

Nombre MOBIL

Ensayo

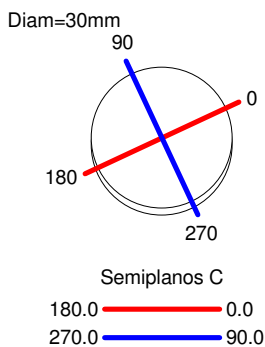
Código 05-7606-05-05

Nombre MOBIL

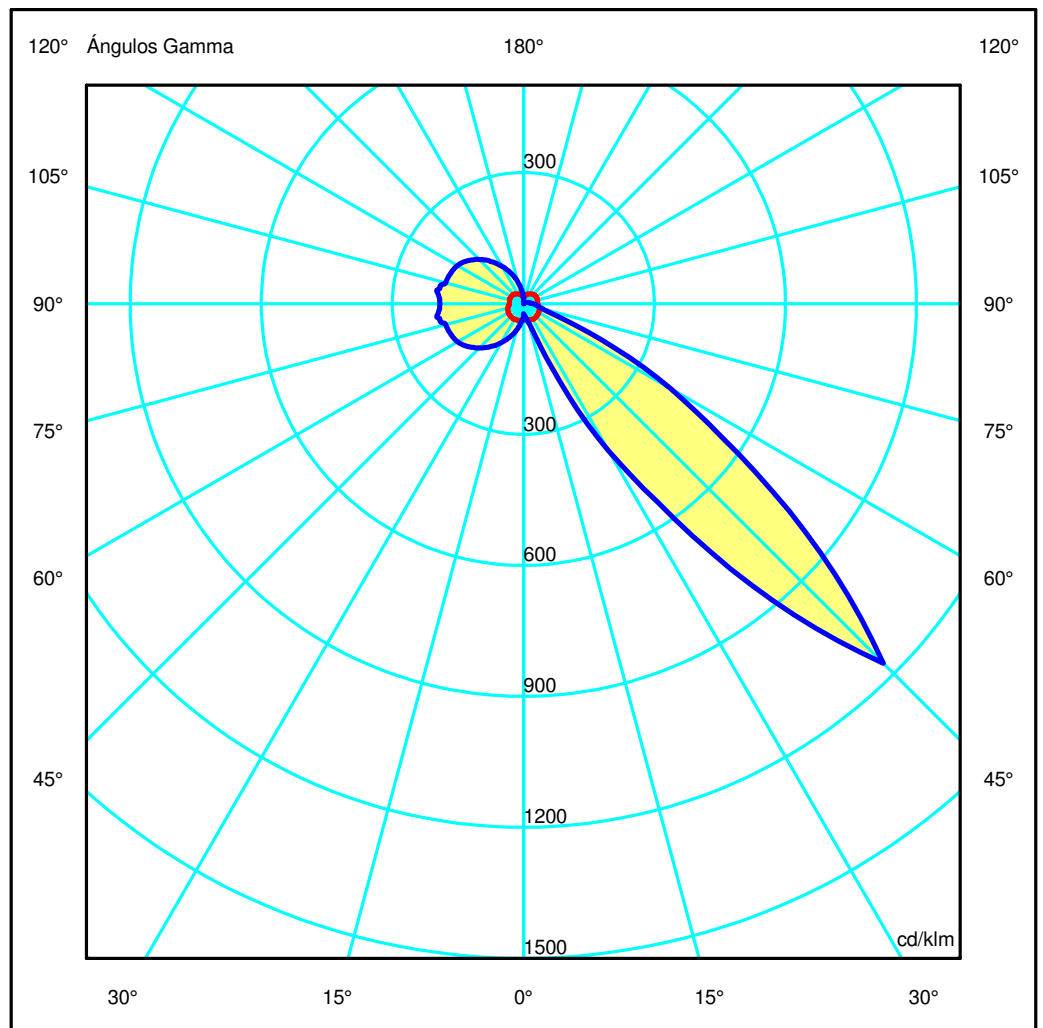
Flujo Luminaria	451.92 lm	Potencia luminaria	14.50 W	Eficacia	31.17 lm/W	Eficiencia	100.00%
Flujo de Lámpara	451.92 lm	Valor Máximo	1164.75 cd/klm	Posición	C=90.00 G=45.00	CG	Asimétrico
Luminaria Redonda		Diam.	30 mm	Altura	115 mm		
Área Luminosa Redonda		Diam.	21 mm	Altura	0 mm		
Área Luminosa Horizontal		0.000346 m2		Área Emisión sobre Pl. 180°		0.000000 m2	
Área Emisión sobre Pl. 0°		0.000000 m2		Área Emisión sobre Pl. 270°		0.000000 m2	
Área Emisión sobre Pl. 90°		0.000000 m2		Área de deslumbramiento a 76°		0.000084 m2	
Sist. de Coorden.		CG		Tipo de Simetría		Asimétrico	
Fecha		09-11-2018		Máximo Ángulo Gamma		180	
Distancia de Ensayo		0.00		Flujo de Ensayo		451.92 lm	
Operador		Asselum T2		Tensión de alimentación [V]			
Temperatura		25.00 °C		Corriente de alimentación [A]			
Humedad		60.00 %		Fotocélula			
Notas							

Lámparas de la Luminaria

Familia	Código	Nombre	Flujo [lm]	Pot. [W]	Cant.
	05-7606-05-05	05-7606-05-05	451.92	14.50	1
C.I.E.	24 60 82 64 100	D DIN 5040	B11		
F UTE	0.64 I + 0.36 T	B NBN	BZ 8 / 1 / BZ 7		



ULOR 35.69 %
DLOR 64.31 %
RN 35.69 %



Luminaria

Código 05-7606-05-05

Nombre MOBIL

Ensayo

Código 05-7606-05-05

Nombre MOBIL

Flujo Luminaria	451.92 lm	Potencia luminaria	14.50 W	Eficacia	31.17 lm/W	Eficiencia	100.00%
Flujo de Lámpara	451.92 lm	Valor Máximo	1164.75 cd/klm	Posición	C=90.00 G=45.00	CG	Asimétrico

Tabla de Intensidad Luminosa cd/klm Tabla 6/18

	C 325.00	C 330.00	C 335.00	C 340.00	C 345.00	C 350.00	C 355.00
G 0.0	35.02	35.02	35.02	35.02	35.02	35.02	35.02
G 1.0	35.35	35.37	35.39	35.40	35.42	35.43	35.44
G 2.0	35.73	35.75	35.76	35.78	35.80	35.82	35.84
G 3.0	36.21	36.21	36.20	36.20	36.20	36.22	36.23
G 4.0	36.82	36.75	36.69	36.64	36.61	36.60	36.61
G 5.0	37.77	37.44	37.22	37.11	37.05	37.02	37.00
G 6.0	38.94	38.43	38.01	37.71	37.51	37.40	37.35
G 7.0	40.26	39.70	39.08	38.48	38.02	37.76	37.66
G 8.0	41.61	40.93	40.10	39.25	38.56	38.15	37.98
G 9.0	42.88	41.88	40.86	39.92	39.16	38.67	38.37
G 10.0	44.24	42.97	41.75	40.67	39.79	39.17	38.74
G 11.0	45.62	44.18	42.78	41.51	40.45	39.67	39.08
G 12.0	47.07	45.42	43.81	42.33	41.09	40.14	39.41
G 13.0	48.77	46.84	44.94	43.18	41.68	40.55	39.68
G 14.0	50.55	48.31	46.07	43.98	42.22	40.90	39.92
G 15.0	52.32	49.63	47.03	44.67	42.71	41.25	40.15
G 16.0	54.06	50.88	47.92	45.31	43.18	41.58	40.38
G 17.0	55.67	52.21	48.94	46.04	43.66	41.89	40.58
G 18.0	57.22	53.52	49.96	46.76	44.13	42.20	40.78
G 19.0	58.71	54.67	50.85	47.43	44.63	42.55	41.01
G 20.0	60.23	55.83	51.72	48.10	45.13	42.91	41.23
G 21.0	61.94	57.14	52.71	48.83	45.66	43.27	41.46
G 22.0	63.59	58.51	53.79	49.63	46.21	43.64	41.68
G 23.0	65.02	59.77	54.84	50.46	46.83	44.07	41.94
G 24.0	66.25	60.87	55.79	51.26	47.46	44.53	42.24
G 25.0	67.51	61.78	56.54	51.96	48.13	45.09	42.60
G 26.0	68.63	62.52	57.14	52.58	48.78	45.64	42.98
G 27.0	69.66	63.26	57.76	53.18	49.36	46.15	43.34
G 28.0	70.80	64.16	58.49	53.81	49.91	46.59	43.66
G 29.0	72.03	65.10	59.23	54.40	50.38	46.97	43.95
G 30.0	73.07	65.87	59.83	54.90	50.82	47.34	44.25
G 31.0	73.99	66.47	60.27	55.31	51.23	47.71	44.55
G 32.0	74.97	67.09	60.71	55.70	51.61	48.06	44.84
G 33.0	76.21	67.93	61.29	56.14	51.98	48.37	45.09
G 34.0	77.79	69.08	62.09	56.68	52.33	48.62	45.28
G 35.0	79.45	70.42	63.06	57.29	52.67	48.80	45.41
G 36.0	80.95	71.69	64.03	57.92	53.03	48.99	45.52
G 37.0	82.33	72.74	64.79	58.45	53.37	49.20	45.63
G 38.0	83.79	73.71	65.46	58.96	53.76	49.47	45.77
G 39.0	85.25	74.74	66.19	59.50	54.16	49.73	45.87
G 40.0	86.54	75.79	67.00	60.09	54.55	49.95	45.94
G 41.0	87.95	76.84	67.77	60.64	54.93	50.16	46.00
G 42.0	89.35	77.89	68.54	61.19	55.29	50.36	46.05
G 43.0	90.84	78.96	69.28	61.68	55.59	50.50	46.05
G 44.0	92.35	80.02	70.00	62.14	55.87	50.63	46.05
G 45.0	94.11	81.44	71.01	62.75	56.13	50.68	45.99
G 46.0	95.85	82.88	72.05	63.35	56.37	50.70	45.90
G 47.0	97.13	83.68	72.54	63.67	56.59	50.81	45.90
G 48.0	98.81	84.97	73.43	64.18	56.79	50.83	45.83
G 49.0	100.51	86.25	74.29	64.66	56.98	50.84	45.76
G 50.0	102.12	87.45	75.08	65.10	57.15	50.86	45.70
G 51.0	103.60	88.57	75.84	65.53	57.33	50.89	45.65
G 52.0	105.03	89.73	76.65	65.99	57.52	50.91	45.60
G 53.0	106.49	90.92	77.50	66.48	57.71	50.94	45.56
G 54.0	107.98	92.19	78.43	67.02	57.92	50.96	45.52
G 55.0	109.56	93.53	79.40	67.59	58.15	51.01	45.49
G 56.0	111.27	94.91	80.36	68.15	58.40	51.07	45.47
G 57.0	112.90	96.22	81.30	68.71	58.65	51.14	45.44
G 58.0	114.27	97.43	82.22	69.28	58.92	51.21	45.41
G 59.0	115.42	98.44	83.00	69.79	59.18	51.30	45.39
G 60.0	116.41	99.28	83.66	70.26	59.46	51.42	45.38
G 61.0	117.22	99.94	84.17	70.64	59.72	51.55	45.37
G 62.0	117.91	100.47	84.60	70.98	59.96	51.67	45.35
G 63.0	118.64	100.84	84.90	71.26	60.20	51.81	45.34
G 64.0	119.24	101.30	85.28	71.57	60.44	51.93	45.31
G 65.0	119.73	101.74	85.65	71.88	60.66	52.03	45.26
G 66.0	120.10	102.16	86.05	72.20	60.86	52.11	45.21
G 67.0	120.32	102.48	86.38	72.48	61.06	52.19	45.15
G 68.0	120.37	102.67	86.62	72.72	61.25	52.27	45.10
G 69.0	120.27	102.73	86.79	72.92	61.42	52.36	45.05
G 70.0	120.02	102.68	86.88	73.09	61.60	52.46	45.02
G 71.0	119.56	102.47	86.85	73.21	61.77	52.57	44.98
G 72.0	119.10	102.19	86.77	73.29	61.92	52.67	44.94

Luminaria

Código 05-7606-05-05

Nombre MOBIL

Ensayo

Código 05-7606-05-05

Nombre MOBIL

Flujo Luminaria	451.92 lm	Potencia luminaria	14.50 W	Eficacia	31.17 lm/W	Eficiencia	100.00%
Flujo de Lámpara	451.92 lm	Valor Máximo	1164.75 cd/klm	Posición	C=90.00 G=45.00	CG	Asimétrico

Tabla de Intensidad Luminosa cd/klm Tabla 12/18

	C 325.00	C 330.00	C 335.00	C 340.00	C 345.00	C 350.00	C 355.00
G 73.0	118.51	101.86	86.66	73.35	62.04	52.74	44.86
G 74.0	117.75	101.48	86.76	73.67	62.13	52.76	44.76
G 75.0	116.99	101.08	86.62	73.69	62.17	52.75	44.61
G 76.0	116.27	100.70	86.50	73.75	62.30	52.80	44.50
G 77.0	115.61	100.34	86.42	73.85	62.48	52.91	44.42
G 78.0	115.11	100.03	86.31	73.90	62.62	52.96	44.30
G 79.0	114.76	99.76	86.17	73.90	62.69	52.98	44.15
G 80.0	114.68	99.54	85.97	73.81	62.72	52.96	43.98
G 81.0	114.67	99.38	85.80	73.71	62.69	52.89	43.78
G 82.0	114.69	99.26	85.64	73.59	62.62	52.76	43.54
G 83.0	114.70	99.17	85.51	73.46	62.49	52.59	43.28
G 84.0	114.71	99.11	85.40	73.31	62.33	52.37	42.98
G 85.0	114.80	99.08	85.27	73.13	62.13	52.11	42.68
G 86.0	114.95	99.05	85.12	72.92	61.89	51.83	42.35
G 87.0	115.13	99.03	84.96	72.67	61.61	51.53	42.01
G 88.0	115.31	99.01	84.77	72.40	61.32	51.20	41.66
G 89.0	115.48	98.97	84.57	72.11	61.00	50.85	41.29
G 90.0	115.60	98.90	84.35	71.80	60.66	50.50	40.92
G 91.0	115.48	98.97	84.57	72.10	60.98	50.78	41.14
G 92.0	115.31	99.01	84.76	72.38	61.29	51.06	41.35
G 93.0	115.13	99.03	84.94	72.64	61.57	51.31	41.55
G 94.0	114.95	99.05	85.10	72.88	61.82	51.54	41.73
G 95.0	114.80	99.08	85.25	73.08	62.05	51.75	41.90
G 96.0	114.71	99.11	85.37	73.26	62.24	51.93	42.05
G 97.0	114.70	99.17	85.48	73.40	62.40	52.09	42.18
G 98.0	114.69	99.26	85.61	73.52	62.52	52.19	42.29
G 99.0	114.67	99.38	85.76	73.64	62.59	52.25	42.35
G100.0	114.68	99.54	85.93	73.74	62.61	52.25	42.39
G101.0	114.75	99.75	86.12	73.81	62.57	52.19	42.39
G102.0	115.10	100.01	86.25	73.81	62.49	52.11	42.37
G103.0	115.59	100.31	86.35	73.75	62.34	51.98	42.32
G104.0	116.24	100.66	86.43	73.63	62.14	51.80	42.24
G105.0	116.95	101.03	86.49	73.48	61.89	51.57	42.13
G106.0	117.71	101.40	86.53	73.29	61.60	51.31	42.00
G107.0	118.44	101.77	86.55	73.07	61.26	51.01	41.84
G108.0	119.04	102.08	86.56	72.83	60.89	50.67	41.65
G109.0	119.51	102.33	86.55	72.57	60.49	50.30	41.44
G110.0	119.91	102.52	86.48	72.27	60.07	49.92	41.22
G111.0	120.15	102.55	86.29	71.92	59.64	49.55	41.01
G112.0	120.23	102.45	86.03	71.53	59.22	49.19	40.81
G113.0	120.16	102.24	85.69	71.11	58.79	48.84	40.60
G114.0	119.92	101.89	85.25	70.64	58.34	48.49	40.40
G115.0	119.51	101.43	84.76	70.14	57.89	48.14	40.19
G116.0	118.99	100.96	84.29	69.65	57.43	47.77	39.96
G117.0	118.28	100.35	83.72	69.12	56.95	47.39	39.73
G118.0	117.53	99.69	83.12	68.57	56.46	47.02	39.49
G119.0	116.62	98.86	82.39	67.95	55.97	46.66	39.27
G120.0	115.58	97.91	81.57	67.29	55.47	46.30	39.05
G121.0	114.36	96.77	80.60	66.55	54.95	45.96	38.84
G122.0	112.97	95.46	79.51	65.75	54.43	45.63	38.64
G123.0	111.35	93.95	78.28	64.89	53.92	45.34	38.45
G124.0	109.48	92.33	77.03	64.04	53.41	45.04	38.26
G125.0	107.53	90.66	75.75	63.19	52.90	44.74	38.07
G126.0	105.67	89.04	74.50	62.34	52.41	44.45	37.88
G127.0	103.89	87.49	73.31	61.54	51.93	44.17	37.69
G128.0	102.16	86.02	72.19	60.78	51.47	43.88	37.48
G129.0	100.45	84.60	71.11	60.04	51.01	43.59	37.27
G130.0	98.70	83.21	70.08	59.33	50.55	43.29	37.05
G131.0	96.82	81.75	69.02	58.62	50.09	42.98	36.81
G132.0	94.88	80.23	67.90	57.86	49.61	42.66	36.58
G133.0	92.96	78.69	66.76	57.08	49.11	42.33	36.33
G134.0	91.45	77.66	66.03	56.49	48.60	41.90	36.00
G135.0	89.49	76.00	64.75	55.62	48.06	41.56	35.74
G136.0	87.52	74.37	63.50	54.75	47.49	41.18	35.46
G137.0	85.79	73.10	62.56	54.01	46.90	40.72	35.11
G138.0	84.08	71.82	61.58	53.26	46.31	40.25	34.75
G139.0	82.45	70.55	60.57	52.44	45.64	39.72	34.36
G140.0	80.80	69.28	59.57	51.62	44.97	39.18	33.96
G141.0	79.27	68.00	58.53	50.78	44.30	38.66	33.56
G142.0	77.56	66.73	57.55	49.98	43.62	38.11	33.14
G143.0	75.84	65.51	56.63	49.22	42.96	37.55	32.72
G144.0	74.20	64.20	55.61	48.43	42.36	37.08	32.34
G145.0	72.43	62.66	54.39	47.55	41.75	36.65	32.00

Luminaria

Código 05-7606-05-05

Nombre MOBIL

Ensayo

Código 05-7606-05-05

Nombre MOBIL

Flujo Luminaria	451.92 lm	Potencia luminaria	14.50 W	Eficacia	31.17 lm/W	Eficiencia	100.00%
Flujo de Lámpara	451.92 lm	Valor Máximo	1164.75 cd/klm	Posición	C=90.00 G=45.00	CG	Asimétrico

Tabla de Intensidad Luminosa cd/klm Tabla 13/18

	C 0.00	C 5.00	C 10.00	C 15.00	C 20.00	C 25.00	C 30.00	C 35.00	C 40.00	C 45.00	C 50.00	C 55.00	C 60.00
G146.0	27.25	16.00	6.38	0.00	0.00	0.00	0.00	0.00	0.00	0.00	0.00	0.00	0.00
G147.0	26.93	15.82	6.30	0.00	0.00	0.00	0.00	0.00	0.00	0.00	0.00	0.00	0.00
G148.0	26.61	15.62	6.23	0.00	0.00	0.00	0.00	0.00	0.00	0.00	0.00	0.00	0.00
G149.0	26.27	15.43	6.15	0.00	0.00	0.00	0.00	0.00	0.00	0.00	0.00	0.00	0.00
G150.0	25.94	15.23	6.07	0.00	0.00	0.00	0.00	0.00	0.00	0.00	0.00	0.00	0.00
G151.0	25.59	15.03	5.99	0.00	0.00	0.00	0.00	0.00	0.00	0.00	0.00	0.00	0.00
G152.0	25.24	14.82	5.91	0.00	0.00	0.00	0.00	0.00	0.00	0.00	0.00	0.00	0.00
G153.0	24.88	14.61	5.82	0.00	0.00	0.00	0.00	0.00	0.00	0.00	0.00	0.00	0.00
G154.0	24.52	14.40	5.74	0.00	0.00	0.00	0.00	0.00	0.00	0.00	0.00	0.00	0.00
G155.0	24.15	14.18	5.65	0.00	0.00	0.00	0.00	0.00	0.00	0.00	0.00	0.00	0.00
G156.0	23.78	13.96	5.57	0.00	0.00	0.00	0.00	0.00	0.00	0.00	0.00	0.00	0.00
G157.0	23.40	13.74	5.48	0.00	0.00	0.00	0.00	0.00	0.00	0.00	0.00	0.00	0.00
G158.0	23.01	13.51	5.39	0.00	0.00	0.00	0.00	0.00	0.00	0.00	0.00	0.00	0.00
G159.0	22.62	13.28	5.29	0.00	0.00	0.00	0.00	0.00	0.00	0.00	0.00	0.00	0.00
G160.0	22.22	13.05	5.20	0.00	0.00	0.00	0.00	0.00	0.00	0.00	0.00	0.00	0.00
G161.0	21.82	12.81	5.11	0.00	0.00	0.00	0.00	0.00	0.00	0.00	0.00	0.00	0.00
G162.0	21.41	12.57	5.01	0.00	0.00	0.00	0.00	0.00	0.00	0.00	0.00	0.00	0.00
G163.0	20.99	12.33	4.91	0.00	0.00	0.00	0.00	0.00	0.00	0.00	0.00	0.00	0.00
G164.0	20.58	12.08	4.82	0.00	0.00	0.00	0.00	0.00	0.00	0.00	0.00	0.00	0.00
G165.0	20.15	11.83	4.72	0.00	0.00	0.00	0.00	0.00	0.00	0.00	0.00	0.00	0.00
G166.0	19.72	11.58	4.62	0.00	0.00	0.00	0.00	0.00	0.00	0.00	0.00	0.00	0.00
G167.0	19.29	11.33	4.52	0.00	0.00	0.00	0.00	0.00	0.00	0.00	0.00	0.00	0.00
G168.0	18.85	11.07	4.41	0.00	0.00	0.00	0.00	0.00	0.00	0.00	0.00	0.00	0.00
G169.0	18.41	10.81	4.31	0.00	0.00	0.00	0.00	0.00	0.00	0.00	0.00	0.00	0.00
G170.0	17.97	10.55	4.21	0.00	0.00	0.00	0.00	0.00	0.00	0.00	0.00	0.00	0.00
G171.0	17.52	10.29	4.10	0.00	0.00	0.00	0.00	0.00	0.00	0.00	0.00	0.00	0.00
G172.0	17.07	10.02	4.00	0.00	0.00	0.00	0.00	0.00	0.00	0.00	0.00	0.00	0.00
G173.0	16.61	9.76	3.89	0.00	0.00	0.00	0.00	0.00	0.00	0.00	0.00	0.00	0.00
G174.0	16.16	9.49	3.78	0.00	0.00	0.00	0.00	0.00	0.00	0.00	0.00	0.00	0.00
G175.0	15.70	9.22	3.67	0.00	0.00	0.00	0.00	0.00	0.00	0.00	0.00	0.00	0.00
G176.0	15.24	8.95	3.57	0.00	0.00	0.00	0.00	0.00	0.00	0.00	0.00	0.00	0.00
G177.0	14.78	8.68	3.46	0.00	0.00	0.00	0.00	0.00	0.00	0.00	0.00	0.00	0.00
G178.0	14.31	8.41	3.35	0.00	0.00	0.00	0.00	0.00	0.00	0.00	0.00	0.00	0.00
G179.0	13.85	8.13	3.24	0.00	0.00	0.00	0.00	0.00	0.00	0.00	0.00	0.00	0.00
G180.0	13.39	13.39	13.39	13.39	13.39	13.39	13.39	13.39	13.39	13.39	13.39	13.39	13.39

Luminaria

Código 05-7606-05-05

Nombre MOBIL

Ensayo

Código 05-7606-05-05

Nombre MOBIL

Flujo Luminaria	451.92 lm	Potencia luminaria	14.50 W	Eficacia	31.17 lm/W	Eficiencia	100.00%
Flujo de Lámpara	451.92 lm	Valor Máximo	1164.75 cd/klm	Posición	C=90.00 G=45.00	CG	Asimétrico

Tabla de Intensidad Luminosa cd/klm Tabla 14/18

	C 65.00	C 70.00	C 75.00	C 80.00	C 85.00	C 90.00	C 95.00	C 100.00	C 105.00	C 110.00	C 115.00	C 120.00	C 125.00
G146.0	0.00	0.00	0.00	0.00	0.00	0.00	0.00	0.00	0.00	0.00	0.00	0.00	0.00
G147.0	0.00	0.00	0.00	0.00	0.00	0.00	0.00	0.00	0.00	0.00	0.00	0.00	0.00
G148.0	0.00	0.00	0.00	0.00	0.00	0.00	0.00	0.00	0.00	0.00	0.00	0.00	0.00
G149.0	0.00	0.00	0.00	0.00	0.00	0.00	0.00	0.00	0.00	0.00	0.00	0.00	0.00
G150.0	0.00	0.00	0.00	0.00	0.00	0.00	0.00	0.00	0.00	0.00	0.00	0.00	0.00
G151.0	0.00	0.00	0.00	0.00	0.00	0.00	0.00	0.00	0.00	0.00	0.00	0.00	0.00
G152.0	0.00	0.00	0.00	0.00	0.00	0.00	0.00	0.00	0.00	0.00	0.00	0.00	0.00
G153.0	0.00	0.00	0.00	0.00	0.00	0.00	0.00	0.00	0.00	0.00	0.00	0.00	0.00
G154.0	0.00	0.00	0.00	0.00	0.00	0.00	0.00	0.00	0.00	0.00	0.00	0.00	0.00
G155.0	0.00	0.00	0.00	0.00	0.00	0.00	0.00	0.00	0.00	0.00	0.00	0.00	0.00
G156.0	0.00	0.00	0.00	0.00	0.00	0.00	0.00	0.00	0.00	0.00	0.00	0.00	0.00
G157.0	0.00	0.00	0.00	0.00	0.00	0.00	0.00	0.00	0.00	0.00	0.00	0.00	0.00
G158.0	0.00	0.00	0.00	0.00	0.00	0.00	0.00	0.00	0.00	0.00	0.00	0.00	0.00
G159.0	0.00	0.00	0.00	0.00	0.00	0.00	0.00	0.00	0.00	0.00	0.00	0.00	0.00
G160.0	0.00	0.00	0.00	0.00	0.00	0.00	0.00	0.00	0.00	0.00	0.00	0.00	0.00
G161.0	0.00	0.00	0.00	0.00	0.00	0.00	0.00	0.00	0.00	0.00	0.00	0.00	0.00
G162.0	0.00	0.00	0.00	0.00	0.00	0.00	0.00	0.00	0.00	0.00	0.00	0.00	0.00
G163.0	0.00	0.00	0.00	0.00	0.00	0.00	0.00	0.00	0.00	0.00	0.00	0.00	0.00
G164.0	0.00	0.00	0.00	0.00	0.00	0.00	0.00	0.00	0.00	0.00	0.00	0.00	0.00
G165.0	0.00	0.00	0.00	0.00	0.00	0.00	0.00	0.00	0.00	0.00	0.00	0.00	0.00
G166.0	0.00	0.00	0.00	0.00	0.00	0.00	0.00	0.00	0.00	0.00	0.00	0.00	0.00
G167.0	0.00	0.00	0.00	0.00	0.00	0.00	0.00	0.00	0.00	0.00	0.00	0.00	0.00
G168.0	0.00	0.00	0.00	0.00	0.00	0.00	0.00	0.00	0.00	0.00	0.00	0.00	0.00
G169.0	0.00	0.00	0.00	0.00	0.00	0.00	0.00	0.00	0.00	0.00	0.00	0.00	0.00
G170.0	0.00	0.00	0.00	0.00	0.00	0.00	0.00	0.00	0.00	0.00	0.00	0.00	0.00
G171.0	0.00	0.00	0.00	0.00	0.00	0.00	0.00	0.00	0.00	0.00	0.00	0.00	0.00
G172.0	0.00	0.00	0.00	0.00	0.00	0.00	0.00	0.00	0.00	0.00	0.00	0.00	0.00
G173.0	0.00	0.00	0.00	0.00	0.00	0.00	0.00	0.00	0.00	0.00	0.00	0.00	0.00
G174.0	0.00	0.00	0.00	0.00	0.00	0.00	0.00	0.00	0.00	0.00	0.00	0.00	0.00
G175.0	0.00	0.00	0.00	0.00	0.00	0.00	0.00	0.00	0.00	0.00	0.00	0.00	0.00
G176.0	0.00	0.00	0.00	0.00	0.00	0.00	0.00	0.00	0.00	0.00	0.00	0.00	0.00
G177.0	0.00	0.00	0.00	0.00	0.00	0.00	0.00	0.00	0.00	0.00	0.00	0.00	0.00
G178.0	0.00	0.00	0.00	0.00	0.00	0.00	0.00	0.00	0.00	0.00	0.00	0.00	0.00
G179.0	0.00	0.00	0.00	0.00	0.00	0.00	0.00	0.00	0.00	0.00	0.00	0.00	0.00
G180.0	13.39	13.39	13.39	13.39	13.39	13.39	13.39	13.39	13.39	13.39	13.39	13.39	13.39

Luminaria

Código 05-7606-05-05

Nombre MOBIL

Ensayo

Código 05-7606-05-05

Nombre MOBIL

Flujo Luminaria	451.92 lm	Potencia luminaria	14.50 W	Eficacia	31.17 lm/W	Eficiencia	100.00%
Flujo de Lámpara	451.92 lm	Valor Máximo	1164.75 cd/klm	Posición	C=90.00 G=45.00	CG	Asimétrico

Tabla de Intensidad Luminosa cd/klm Tabla 15/18

	C 130.00	C 135.00	C 140.00	C 145.00	C 150.00	C 155.00	C 160.00	C 165.00	C 170.00	C 175.00	C 180.00	C 185.00	C 190.00
G146.0	0.00	0.00	0.00	0.00	0.00	0.00	0.00	0.00	7.60	17.80	27.25	33.45	37.46
G147.0	0.00	0.00	0.00	0.00	0.00	0.00	0.00	0.00	7.51	17.59	26.93	33.06	36.99
G148.0	0.00	0.00	0.00	0.00	0.00	0.00	0.00	0.00	7.42	17.39	26.61	32.63	36.47
G149.0	0.00	0.00	0.00	0.00	0.00	0.00	0.00	0.00	7.34	17.19	26.27	32.19	35.93
G150.0	0.00	0.00	0.00	0.00	0.00	0.00	0.00	0.00	7.26	16.98	25.94	31.73	35.38
G151.0	0.00	0.00	0.00	0.00	0.00	0.00	0.00	0.00	7.17	16.77	25.59	31.27	34.83
G152.0	0.00	0.00	0.00	0.00	0.00	0.00	0.00	0.00	7.08	16.55	25.24	30.81	34.27
G153.0	0.00	0.00	0.00	0.00	0.00	0.00	0.00	0.00	6.99	16.34	24.88	30.31	33.64
G154.0	0.00	0.00	0.00	0.00	0.00	0.00	0.00	0.00	6.91	16.13	24.52	29.78	32.94
G155.0	0.00	0.00	0.00	0.00	0.00	0.00	0.00	0.00	6.84	15.93	24.15	29.20	32.18
G156.0	0.00	0.00	0.00	0.00	0.00	0.00	0.00	0.00	6.76	15.73	23.78	28.63	31.41
G157.0	0.00	0.00	0.00	0.00	0.00	0.00	0.00	0.00	6.67	15.51	23.40	28.08	30.69
G158.0	0.00	0.00	0.00	0.00	0.00	0.00	0.00	0.00	6.58	15.28	23.01	27.54	29.98
G159.0	0.00	0.00	0.00	0.00	0.00	0.00	0.00	0.00	6.48	15.04	22.62	27.01	29.30
G160.0	0.00	0.00	0.00	0.00	0.00	0.00	0.00	0.00	6.38	14.79	22.22	26.47	28.62
G161.0	0.00	0.00	0.00	0.00	0.00	0.00	0.00	0.00	6.28	14.55	21.82	25.91	27.91
G162.0	0.00	0.00	0.00	0.00	0.00	0.00	0.00	0.00	6.18	14.30	21.41	25.35	27.20
G163.0	0.00	0.00	0.00	0.00	0.00	0.00	0.00	0.00	6.08	14.04	20.99	24.81	26.53
G164.0	0.00	0.00	0.00	0.00	0.00	0.00	0.00	0.00	5.97	13.78	20.58	24.26	25.84
G165.0	0.00	0.00	0.00	0.00	0.00	0.00	0.00	0.00	5.86	13.52	20.15	23.69	25.13
G166.0	0.00	0.00	0.00	0.00	0.00	0.00	0.00	0.00	5.75	13.26	19.72	23.11	24.42
G167.0	0.00	0.00	0.00	0.00	0.00	0.00	0.00	0.00	5.64	12.99	19.29	22.54	23.70
G168.0	0.00	0.00	0.00	0.00	0.00	0.00	0.00	0.00	5.53	12.72	18.85	21.95	22.95
G169.0	0.00	0.00	0.00	0.00	0.00	0.00	0.00	0.00	5.42	12.46	18.41	21.33	22.16
G170.0	0.00	0.00	0.00	0.00	0.00	0.00	0.00	0.00	5.32	12.20	17.97	20.69	21.34
G171.0	0.00	0.00	0.00	0.00	0.00	0.00	0.00	0.00	5.21	11.93	17.52	20.07	20.55
G172.0	0.00	0.00	0.00	0.00	0.00	0.00	0.00	0.00	5.10	11.65	17.07	19.36	19.85
G173.0	0.00	0.00	0.00	0.00	0.00	0.00	0.00	0.00	4.97	11.36	16.61	18.77	19.14
G174.0	0.00	0.00	0.00	0.00	0.00	0.00	0.00	0.00	4.84	11.06	16.16	18.00	18.44
G175.0	0.00	0.00	0.00	0.00	0.00	0.00	0.00	0.00	4.72	10.76	15.70	17.23	17.76
G176.0	0.00	0.00	0.00	0.00	0.00	0.00	0.00	0.00	4.60	10.47	15.24	16.56	17.08
G177.0	0.00	0.00	0.00	0.00	0.00	0.00	0.00	0.00	4.47	10.17	14.78	15.10	16.42
G178.0	0.00	0.00	0.00	0.00	0.00	0.00	0.00	0.00	4.35	9.88	14.31	14.53	15.74
G179.0	0.00	0.00	0.00	0.00	0.00	0.00	0.00	0.00	4.22	9.58	13.85	13.96	15.07
G180.0	13.39	13.39	13.39	13.39	13.39	13.39	13.39	13.39	13.39	13.39	13.39	13.39	13.39

Luminaria

Código 05-7606-05-05

Nombre MOBIL

Ensayo

Código 05-7606-05-05

Nombre MOBIL

Flujo Luminaria	451.92 lm	Potencia luminaria	14.50 W	Eficacia	31.17 lm/W	Eficiencia	100.00%
Flujo de Lámpara	451.92 lm	Valor Máximo	1164.75 cd/klm	Posición	C=90.00 G=45.00	CG	Asimétrico

Tabla de Intensidad Luminosa cd/klm Tabla 16/18

	C 195.00	C 200.00	C 205.00	C 210.00	C 215.00	C 220.00	C 225.00	C 230.00	C 235.00	C 240.00	C 245.00	C 250.00	C 255.00
G146.0	41.17	46.19	52.83	61.05	70.61	80.29	88.64	94.59	98.49	101.05	102.95	104.62	106.47
G147.0	40.59	45.41	51.76	59.61	68.73	77.99	86.06	91.94	95.95	98.78	100.99	102.89	104.66
G148.0	39.99	44.72	50.91	58.48	67.18	76.00	83.76	89.55	93.65	96.61	98.91	100.76	102.25
G149.0	39.39	44.08	50.19	57.56	65.87	74.25	81.66	87.29	91.38	94.37	96.68	98.46	99.84
G150.0	38.78	43.43	49.46	56.64	64.61	72.57	79.59	84.97	88.90	91.78	93.97	95.65	96.97
G151.0	38.13	42.69	48.58	55.54	63.21	70.82	77.53	82.68	86.44	89.17	91.22	92.78	94.01
G152.0	37.46	41.86	47.56	54.26	61.62	68.94	75.44	80.54	84.32	87.02	88.90	90.23	91.29
G153.0	36.70	40.98	46.52	53.02	60.10	67.11	73.36	78.30	82.02	84.74	86.70	88.03	88.82
G154.0	35.89	40.12	45.60	51.94	58.70	65.33	71.27	76.06	79.73	82.43	84.30	85.50	86.15
G155.0	35.01	39.23	44.68	50.85	57.20	63.33	68.85	73.45	77.12	79.90	81.86	83.08	83.68
G156.0	34.10	38.24	43.62	49.58	55.56	61.25	66.43	70.89	74.58	77.47	79.52	80.79	81.30
G157.0	33.20	37.15	42.33	48.13	53.96	59.52	64.56	68.87	72.41	75.17	77.15	78.35	78.79
G158.0	32.30	36.01	40.94	46.51	52.17	57.60	62.53	66.73	70.11	72.63	74.28	75.17	75.48
G159.0	31.43	34.88	39.52	44.78	50.16	55.35	60.10	64.19	67.55	70.11	71.83	72.71	72.76
G160.0	30.57	33.80	38.17	43.11	48.10	52.91	57.34	61.22	64.48	67.06	68.88	69.90	70.07
G161.0	29.71	32.77	36.93	41.59	46.23	50.68	54.82	58.53	61.71	64.26	66.09	67.12	67.26
G162.0	28.84	31.73	35.67	40.06	44.40	48.53	52.40	55.94	59.01	61.45	63.14	64.04	64.15
G163.0	27.98	30.62	34.27	38.39	42.50	46.39	49.94	53.04	55.69	57.92	59.72	60.91	61.26
G164.0	27.12	29.50	32.87	36.70	40.53	44.15	47.39	50.12	52.42	54.41	56.15	57.44	58.02
G165.0	26.27	28.48	31.60	35.08	38.45	41.59	44.49	47.12	49.43	51.35	52.83	53.77	54.09
G166.0	25.40	27.42	30.28	33.41	36.32	39.01	41.58	44.07	46.36	48.27	49.67	50.48	50.69
G167.0	24.49	26.24	28.79	31.59	34.20	36.63	38.98	41.32	43.50	45.32	46.60	47.33	47.52
G168.0	23.55	25.05	27.31	29.82	32.17	34.34	36.44	38.52	40.46	42.12	43.38	44.16	44.42
G169.0	22.57	23.88	25.95	28.26	30.40	32.34	34.11	35.78	37.34	38.77	40.04	41.01	41.51
G170.0	21.59	22.75	24.67	26.82	28.77	30.47	31.96	33.28	34.47	35.58	36.63	37.50	38.10
G171.0	20.65	21.69	23.47	25.42	27.09	28.48	29.71	30.86	31.93	32.87	33.63	34.19	34.49
G172.0	19.74	20.62	22.23	23.97	25.38	26.51	27.54	28.59	29.60	30.47	31.11	31.51	31.68
G173.0	18.90	19.52	20.82	22.31	23.58	24.63	25.56	26.45	27.28	28.01	28.61	29.04	29.26
G174.0	18.08	18.91	19.75	20.58	21.76	22.80	23.69	24.43	25.04	25.57	26.05	26.46	26.72
G175.0	17.29	17.89	18.49	19.08	19.95	20.73	21.46	22.16	22.82	23.36	23.77	24.03	24.16
G176.0	16.50	16.95	17.39	17.84	18.38	18.78	19.17	19.64	20.15	20.65	21.07	21.40	21.61
G177.0	15.74	16.05	16.36	16.67	17.07	17.31	17.48	17.67	17.87	18.07	18.24	18.37	18.43
G178.0	14.96	15.15	15.35	15.54	15.83	15.97	16.05	16.16	16.28	16.39	16.47	16.51	16.51
G179.0	14.18	14.27	14.37	14.46	14.54	14.61	14.69	14.72	14.77	14.83	14.86	14.88	14.87
G180.0	13.39	13.39	13.39	13.39	13.39	13.39	13.39	13.39	13.39	13.39	13.39	13.39	13.39

Luminaria

Código 05-7606-05-05

Nombre MOBIL

Ensayo

Código 05-7606-05-05

Nombre MOBIL

Flujo Luminaria	451.92 lm	Potencia luminaria	14.50 W	Eficacia	31.17 lm/W	Eficiencia	100.00%
Flujo de Lámpara	451.92 lm	Valor Máximo	1164.75 cd/klm	Posición	C=90.00 G=45.00	CG	Asimétrico

Tabla de Intensidad Luminosa cd/klm Tabla 17/18

	C 260.00	C 265.00	C 270.00	C 275.00	C 280.00	C 285.00	C 290.00	C 295.00	C 300.00	C 305.00	C 310.00	C 315.00	C 320.00
G146.0	108.68	110.61	111.45	110.62	108.68	106.47	104.61	102.94	101.05	98.51	94.63	88.64	80.20
G147.0	106.41	107.80	108.37	107.80	106.42	104.66	102.88	100.98	98.78	95.98	91.97	86.06	77.90
G148.0	103.46	104.30	104.61	104.30	103.47	102.25	100.75	98.90	96.61	93.67	89.58	83.76	75.91
G149.0	100.90	101.58	101.83	101.58	100.90	99.84	98.46	96.67	94.37	91.40	87.33	81.66	74.17
G150.0	98.02	98.73	98.99	98.73	98.02	96.97	95.65	93.96	91.78	88.93	85.01	79.59	72.48
G151.0	95.04	95.77	96.05	95.77	95.05	94.01	92.77	91.21	89.17	86.46	82.71	77.53	70.74
G152.0	92.25	92.98	93.28	92.98	92.25	91.29	90.23	88.89	87.02	84.34	80.58	75.44	68.85
G153.0	89.21	89.33	89.34	89.33	89.21	88.82	88.02	86.70	84.74	82.04	78.33	73.36	67.02
G154.0	86.42	86.46	86.43	86.46	86.42	86.15	85.49	84.29	82.43	79.75	76.09	71.27	65.25
G155.0	83.63	83.58	83.52	83.58	83.63	83.68	83.08	81.85	79.90	77.14	73.49	68.85	63.24
G156.0	81.18	80.79	80.56	80.79	81.18	81.30	80.78	79.51	77.47	74.61	70.93	66.43	61.17
G157.0	78.57	78.08	77.81	78.08	78.57	78.79	78.34	77.14	75.17	72.44	68.91	64.56	59.43
G158.0	75.37	75.10	74.96	75.11	75.37	75.48	75.17	74.27	72.63	70.14	66.77	62.53	57.52
G159.0	72.07	71.19	70.76	71.20	72.08	72.76	72.71	71.82	70.11	67.57	64.23	60.10	55.26
G160.0	69.44	68.57	68.14	68.58	69.44	70.07	69.90	68.87	67.06	64.51	61.26	57.34	52.82
G161.0	66.59	65.66	65.20	65.67	66.59	67.26	67.11	66.08	64.26	61.73	58.56	54.82	50.60
G162.0	63.56	62.77	62.38	62.77	63.57	64.15	64.04	63.13	61.45	59.03	55.97	52.40	48.45
G163.0	60.72	59.87	59.42	59.87	60.73	61.26	60.90	59.71	57.92	55.71	53.07	49.94	46.31
G164.0	57.78	57.19	56.85	57.19	57.78	58.02	57.43	56.14	54.41	52.44	50.15	47.39	44.07
G165.0	53.78	53.24	52.96	53.25	53.79	54.09	53.77	52.82	51.35	49.45	47.15	44.49	41.51
G166.0	50.34	49.80	49.52	49.80	50.34	50.69	50.47	49.66	48.27	46.38	44.10	41.58	38.93
G167.0	47.26	46.84	46.62	46.84	47.26	47.52	47.32	46.59	45.32	43.53	41.36	38.98	36.55
G168.0	44.19	43.78	43.56	43.78	44.19	44.42	44.15	43.37	42.12	40.48	38.55	36.44	34.26
G169.0	41.46	41.16	40.97	41.16	41.46	41.51	41.00	40.03	38.77	37.36	35.81	34.11	32.26
G170.0	38.33	38.34	38.30	38.34	38.33	38.10	37.50	36.62	35.58	34.49	33.31	31.96	30.39
G171.0	34.46	34.43	34.40	34.43	34.46	34.49	34.18	33.62	32.87	31.95	30.89	29.71	28.40
G172.0	31.64	31.51	31.44	31.52	31.64	31.68	31.51	31.10	30.47	29.62	28.62	27.54	26.44
G173.0	29.22	29.18	29.15	29.18	29.22	29.26	29.03	28.60	28.01	27.30	26.48	25.56	24.55
G174.0	26.83	26.84	26.83	26.84	26.84	26.72	26.45	26.05	25.57	25.06	24.46	23.69	22.72
G175.0	24.15	24.15	24.14	24.15	24.15	24.16	24.02	23.76	23.36	22.84	22.19	21.46	20.66
G176.0	21.71	21.73	21.73	21.73	21.71	21.61	21.39	21.06	20.65	20.17	19.67	19.17	18.71
G177.0	18.41	18.35	18.32	18.35	18.41	18.43	18.37	18.24	18.07	17.89	17.70	17.48	17.24
G178.0	16.47	16.42	16.40	16.43	16.47	16.51	16.50	16.46	16.39	16.30	16.18	16.05	15.90
G179.0	14.84	14.82	14.81	14.82	14.85	14.87	14.87	14.85	14.83	14.79	14.74	14.69	14.62
G180.0	13.39	13.39	13.39	13.39	13.39	13.39	13.39	13.39	13.39	13.39	13.39	13.39	13.39

Luminaria

Código 05-7606-05-05

Nombre MOBIL

Ensayo

Código 05-7606-05-05

Nombre MOBIL

Flujo Luminaria	451.92 lm	Potencia luminaria	14.50 W	Eficacia	31.17 lm/W	Eficiencia	100.00%
Flujo de Lámpara	451.92 lm	Valor Máximo	1164.75 cd/klm	Posición	C=90.00 G=45.00	CG	Asimétrico

Tabla de Intensidad Luminosa cd/klm Tabla 18/18

	C 325.00	C 330.00	C 335.00	C 340.00	C 345.00	C 350.00	C 355.00
G146.0	70.48	61.05	53.15	46.68	41.17	36.24	31.66
G147.0	68.60	59.61	52.09	45.89	40.59	35.78	31.28
G148.0	67.05	58.48	51.23	45.19	39.99	35.28	30.87
G149.0	65.75	57.56	50.51	44.55	39.39	34.74	30.43
G150.0	64.48	56.64	49.78	43.90	38.78	34.20	29.98
G151.0	63.08	55.54	48.90	43.15	38.13	33.65	29.53
G152.0	61.49	54.26	47.87	42.32	37.46	33.10	29.09
G153.0	59.97	53.02	46.84	41.44	36.70	32.47	28.59
G154.0	58.57	51.94	45.91	40.58	35.89	31.77	28.04
G155.0	57.07	50.85	45.00	39.69	35.01	31.00	27.45
G156.0	55.43	49.58	43.94	38.71	34.10	30.21	26.86
G157.0	53.83	48.13	42.65	37.62	33.20	29.49	26.31
G158.0	52.05	46.51	41.26	36.48	32.30	28.79	25.78
G159.0	50.04	44.78	39.84	35.35	31.43	28.12	25.26
G160.0	47.98	43.11	38.49	34.27	30.57	27.44	24.72
G161.0	46.11	41.59	37.24	33.24	29.71	26.74	24.17
G162.0	44.27	40.06	35.98	32.19	28.84	26.03	23.62
G163.0	42.37	38.39	34.58	31.07	27.98	25.36	23.09
G164.0	40.41	36.70	33.18	29.96	27.12	24.69	22.56
G165.0	38.33	35.08	31.91	28.93	26.27	23.99	22.00
G166.0	36.20	33.41	30.59	27.87	25.40	23.28	21.44
G167.0	34.08	31.59	29.09	26.69	24.49	22.58	20.88
G168.0	32.05	29.82	27.61	25.49	23.55	21.84	20.30
G169.0	30.29	28.26	26.25	24.33	22.57	21.04	19.68
G170.0	28.66	26.82	24.97	23.19	21.59	20.23	19.05
G171.0	26.97	25.42	23.77	22.13	20.65	19.43	18.42
G172.0	25.26	23.97	22.52	21.06	19.74	18.68	17.82
G173.0	23.46	22.31	21.11	19.95	18.90	18.02	17.28
G174.0	21.64	20.58	19.64	18.81	18.08	17.40	16.77
G175.0	19.84	19.08	18.42	17.83	17.29	16.76	16.23
G176.0	18.27	17.84	17.39	16.94	16.50	16.07	15.65
G177.0	16.96	16.67	16.37	16.05	15.74	15.42	15.10
G178.0	15.73	15.54	15.35	15.16	14.96	14.75	14.53
G179.0	14.54	14.46	14.37	14.28	14.18	14.08	13.97
G180.0	13.39	13.39	13.39	13.39	13.39	13.39	13.39

LEDS C4[®]

Luminaria

Código 05-7606-05-05
Nombre MOBIL

Ensayo

Código 05-7606-05-05
Nombre MOBIL

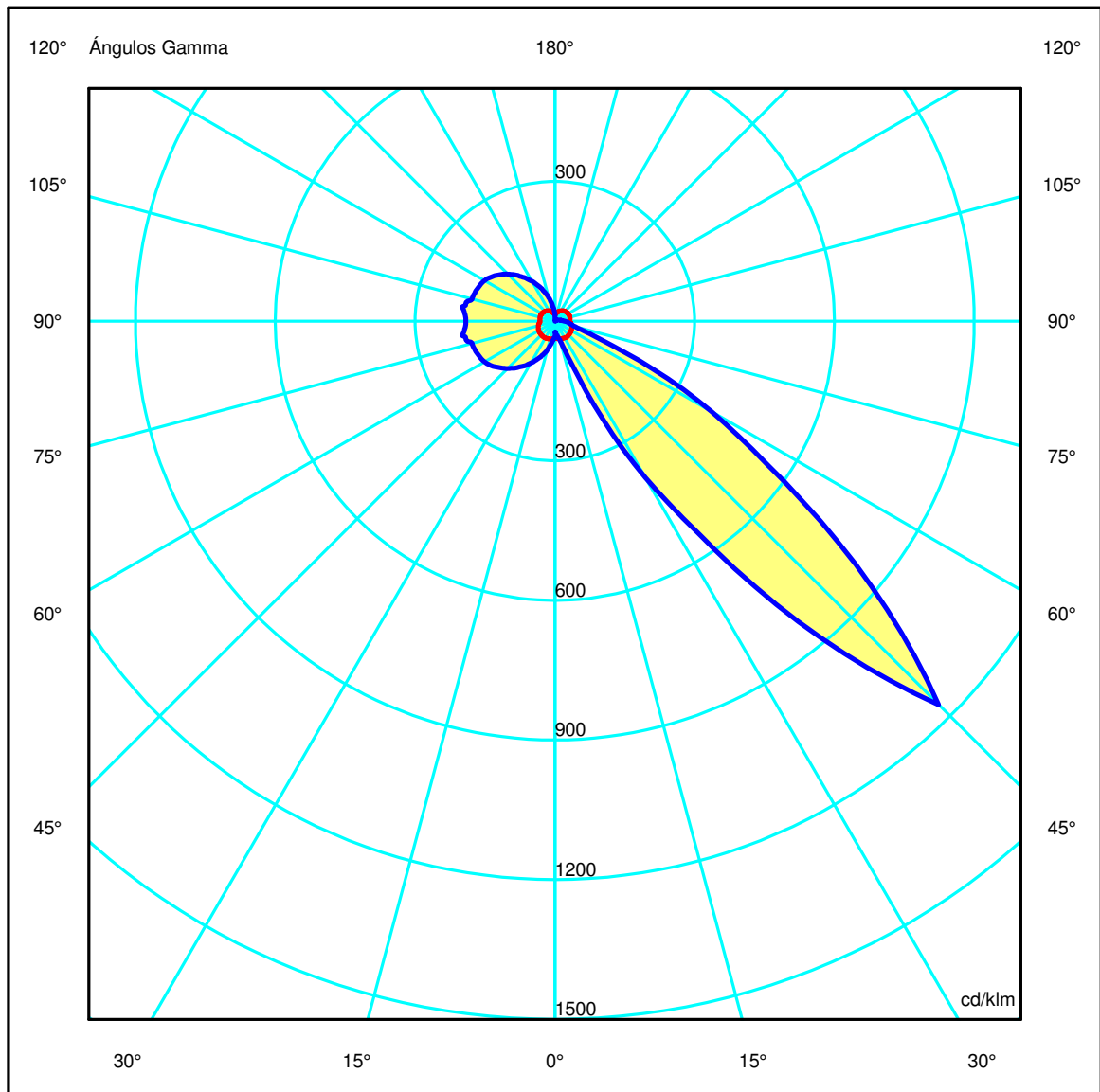
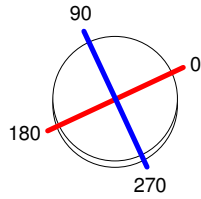
Flujo Luminaria	451.92 lm	Potencia luminaria	14.50 W	Eficacia	31.17 lm/W	Eficiencia	100.00%
Flujo de Lámpara	451.92 lm	Valor Máximo	1164.75 cd/klm	Posición	C=90.00 G=45.00	CG	Asimétrico

Diam=30mm

Semiplanos C

180.0 ————— 0.0

270.0 ————— 90.0



LEDS C4[®]

Luminaria

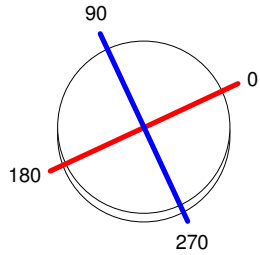
Código 05-7606-05-05
Nombre MOBIL

Ensayo

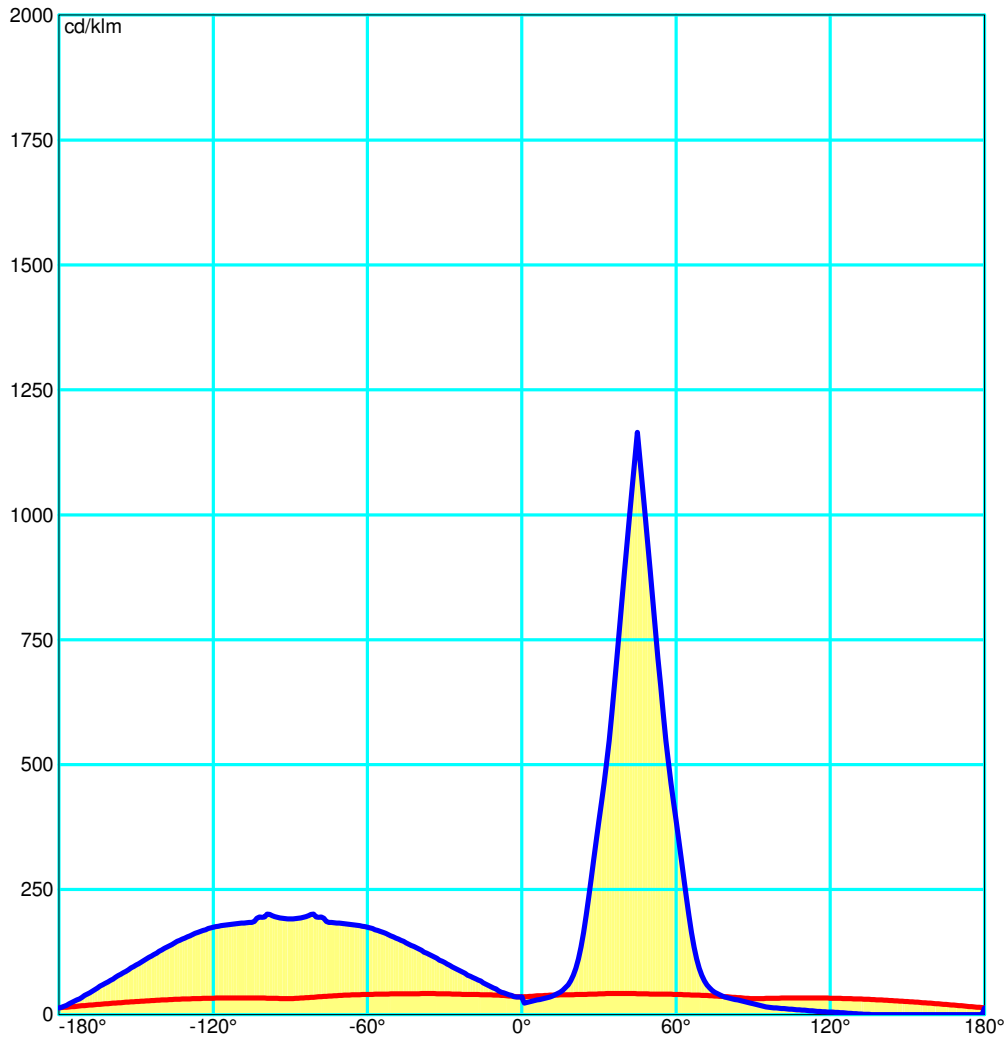
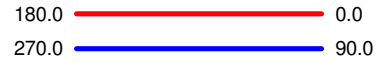
Código 05-7606-05-05
Nombre MOBIL

Flujo Luminaria	451.92 lm	Potencia luminaria	14.50 W	Eficacia	31.17 lm/W	Eficiencia	100.00%
Flujo de Lámpara	451.92 lm	Valor Máximo	1164.75 cd/klm	Posición	C=90.00 G=45.00	CG	Asimétrico

Diam=30mm



Semiplanos C



Luminaria

Código 05-7606-05-05

Nombre MOBIL

Ensayo

Código 05-7606-05-05

Nombre MOBIL

Flujo Luminaria	451.92 lm	Potencia luminaria	14.50 W	Eficacia	31.17 lm/W	Eficiencia	100.00%
Flujo de Lámpara	451.92 lm	Valor Máximo	1164.75 cd/klm	Posición	C=90.00 G=45.00	CG	Asimétrico

UGR
S = 0.250

Reflectancias										
Ceiling/Cavity	0.7	0.7	0.5	0.5	0.3	0.7	0.7	0.5	0.5	0.3
Walls	0.5	0.3	0.5	0.3	0.3	0.5	0.3	0.5	0.3	0.3
WorkingPlane	0.2	0.2	0.2	0.2	0.2	0.2	0.2	0.2	0.2	0.2
RoomDimensions	Viewed Crosswise					Viewed Endwise				
x=2H y=2H	24.7	25.8	25.4	26.5	27.5	32.3	33.5	33.1	34.2	35.2
x=2H y=3H	27.1	28.0	27.8	28.8	29.8	35.9	36.9	36.7	37.7	38.7
x=2H y=4H	28.4	29.4	29.2	30.2	31.2	38.0	38.9	38.8	39.7	40.7
x=2H y=6H	30.1	30.9	30.9	31.7	32.7	40.4	41.2	41.2	42.1	43.1
x=2H y=8H	31.0	31.8	31.8	32.6	33.7	41.8	42.6	42.6	43.4	44.5
x=2H y=12H	32.0	32.8	32.8	33.7	34.7	43.2	44.0	44.1	44.9	45.9
x=4H y=2H	28.3	29.3	29.1	30.1	31.1	33.3	34.3	34.1	35.1	36.1
x=4H y=3H	30.6	31.4	31.4	32.2	33.3	37.1	37.9	38.0	38.8	39.8
x=4H y=4H	31.8	32.5	32.6	33.4	34.4	39.3	40.0	40.2	40.9	41.9
x=4H y=6H	33.1	33.8	34.0	34.6	35.7	41.8	42.5	42.7	43.3	44.4
x=4H y=8H	33.9	34.5	34.8	35.4	36.5	43.3	43.9	44.2	44.8	45.9
x=4H y=12H	34.8	35.3	35.7	36.2	37.3	44.9	45.4	45.8	46.3	47.4
x=8H y=4H	34.2	34.8	35.1	35.7	36.8	39.9	40.5	40.8	41.4	42.5
x=8H y=6H	35.8	36.3	36.7	37.2	38.3	42.8	43.3	43.7	44.2	45.3
x=8H y=8H	36.6	37.1	37.5	38.0	39.1	44.5	44.9	45.4	45.8	46.9
x=8H y=12H	37.5	37.9	38.4	38.8	40.0	46.2	46.6	47.1	47.5	48.7
x=12H y=4H	35.0	35.5	35.9	36.4	37.5	40.0	40.6	40.9	41.5	42.6
x=12H y=6H	36.9	37.3	37.8	38.3	39.4	43.0	43.5	43.9	44.4	45.5
x=12H y=8H	37.9	38.3	38.8	39.2	40.4	44.8	45.2	45.7	46.1	47.3

Luminaria

Código 05-7606-05-05

Nombre MOBIL

Ensayo

Código 05-7606-05-05

Nombre MOBIL

Flujo Luminaria	451.92 lm	Potencia luminaria	14.50 W	Eficacia	31.17 lm/W	Eficiencia	100.00%
Flujo de Lámpara	451.92 lm	Valor Máximo	1164.75 cd/klm	Posición	C=90.00 G=45.00	CG	Asimétrico

Flujo Total=451.92 Flujo Luminaria=451.92

RI	0.60	0.80	1.00	1.25	1.50	2.00	2.50	3.00	4.00	5.00	10.00	20.00
DRR	0.12	0.21	0.28	0.35	0.41	0.50	0.57	0.61	0.68	0.72	0.82	0.89
RC	10	9	9	8	8	8	8	8	8	8	8	8

Flujo Zonal por 1000 Lúmenes

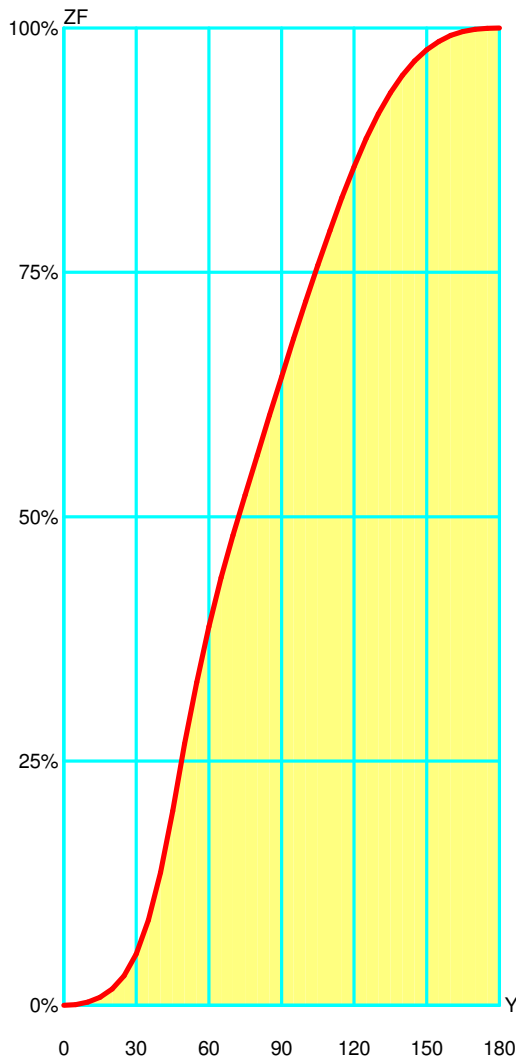
Y°	10	20	30	40	50	60	70	80	90	100	110	120	130	140	150	160	170	180
ZF(Y)	3	17	53	136	268	388	481	563	643	720	793	858	912	952	978	993	999	1000

Códigos de Flujo C.I.E.

24 60 82 64 100

C.I.E. 10/9/9/8/8/8/8/8/8/8
 D DIN 5040 B11
 F UTE 0.64 I + 0.36 T
 B NBN BZ 8 / 1 / BZ 7
 RN 35.69161 %
 BLF 1.0

LOR 100.00000 %
 ULOR 35.69161 %
 DLOR 64.30839 %
 UFF 35.69161 %
 DFF 64.30839 %
 FFR 55.50071 %



Flujo Zonal				
Gamma °	Flujo	Suma lm	Flujo [%]	Suma [%]
0°	0.00	0.00	0.00%	0.00 %
5°	0.75	0.75	0.07 %	0.07 %
10°	2.54	3.29	0.25 %	0.33 %
15°	4.95	8.23	0.49 %	0.82 %
20°	8.29	16.52	0.83 %	1.65 %
25°	13.51	30.03	1.35 %	3.00 %
30°	22.52	52.55	2.25 %	5.25 %
35°	34.53	87.08	3.45 %	8.71 %
40°	48.73	135.81	4.87 %	13.58 %
45°	62.94	198.75	6.29 %	19.87 %
50°	68.82	267.57	6.88 %	26.76 %
55°	63.07	330.64	6.31 %	33.06 %
60°	56.95	387.59	5.70 %	38.76 %
65°	49.85	437.44	4.99 %	43.74 %
70°	43.54	480.99	4.35 %	48.10 %
75°	41.19	522.18	4.12 %	52.22 %
80°	40.63	562.81	4.06 %	56.28 %
85°	40.78	603.59	4.08 %	60.36 %
90°	39.49	643.08	3.95 %	64.31 %
95°	38.75	681.83	3.88 %	68.18 %
100°	38.59	720.43	3.86 %	72.04 %
105°	36.92	757.34	3.69 %	75.73 %
110°	35.39	792.73	3.54 %	79.27 %
115°	33.62	826.35	3.36 %	82.63 %
120°	31.64	857.99	3.16 %	85.80 %
125°	29.10	887.09	2.91 %	88.71 %
130°	25.20	912.30	2.52 %	91.23 %
135°	21.49	933.78	2.15 %	93.38 %
140°	17.87	951.65	1.79 %	95.17 %
145°	14.49	966.14	1.45 %	96.61 %
150°	11.45	977.59	1.14 %	97.76 %
155°	8.70	986.29	0.87 %	98.63 %
160°	6.23	992.52	0.62 %	99.25 %
165°	4.04	996.56	0.40 %	99.66 %
170°	2.24	998.79	0.22 %	99.88 %
175°	0.98	999.77	0.10 %	99.98 %
180°	0.23	1000.00	0.02 %	100.00 %

Luminaria

 Código 05-7606-05-05
 Nombre MOBIL

Ensayo

 Código 05-7606-05-05
 Nombre MOBIL

Flujo Luminaria	451.92 lm	Potencia luminaria	14.50 W	Eficacia	31.17 lm/W	Eficiencia	100.00%
Flujo de Lámpara	451.92 lm	Valor Máximo	1164.75 cd/klm	Posición	C=90.00 G=45.00	CG	Asimétrico

Utilización CIE

Montaje	Directo	Normalización										Normalizados										Raz. de Susp. 1/3			CIE Estándar		
Techo																											
K	8873	8773	8871	8771	7773	7771	7753	7553	7751	7551	7731	7331	7711	7111	5551	5531	5331	5511	5111	3331	3311	1111	0000				
0.60	471	423	439	396	403	378	333	283	320	273	280	211	251	171	255	226	200	205	163	189	173	149	134				
0.80	524	481	473	436	457	417	381	333	355	312	311	247	278	203	292	259	234	234	194	222	202	177	159				
1.00	560	521	491	459	496	440	417	372	379	340	333	275	298	228	319	284	260	256	218	247	225	200	178				
1.25	591	557	502	476	530	457	451	410	398	364	353	300	316	253	342	307	285	278	242	271	247	223	198				
1.50	613	582	507	485	555	467	478	439	411	381	367	320	331	273	359	324	304	295	262	290	266	242	214				
2.00	641	616	509	493	588	476	517	484	427	403	386	347	352	303	382	348	331	320	291	317	293	271	238				
2.50	659	638	508	495	609	480	544	515	436	416	399	365	366	324	396	365	350	337	312	336	313	291	255				
3.00	671	653	506	495	624	481	564	538	442	425	407	378	377	339	405	376	363	350	328	350	327	307	268				
4.00	687	673	502	494	644	482	591	570	449	435	419	396	392	361	418	392	382	369	350	368	348	330	286				
5.00	696	685	499	492	656	481	610	592	452	442	426	407	402	376	425	402	393	381	365	381	362	345	297				
10.00	714	708	487	484	679	476	650	640	458	452	440	430	424	410	438	423	418	408	399	407	394	380	324				
20.00	721	718	477	475	690	469	672	667	458	455	447	442	437	430	443	434	431	424	420	421	412	401	340				

Pared

K	8873	8773	8871	8771	7773	7771	7753	7553	7751	7551	7731	7331	7711	7111	5551	5531	5331	5511	5111	3331	3311	1111	0000
0.60	459	433	418	397	419	385	330	307	311	291	261	234	224	197	280	238	228	206	192	222	194	185	169
0.80	531	505	472	452	486	437	395	370	364	343	312	283	274	242	327	284	273	251	235	264	235	223	204
1.00	586	561	511	492	537	474	448	422	405	384	354	324	314	281	364	322	310	288	271	298	269	254	232
1.25	637	614	545	528	585	508	499	473	444	424	394	365	354	321	399	359	347	325	308	331	303	285	259
1.50	678	656	572	557	624	535	542	516	475	456	427	399	388	355	428	389	378	357	339	359	332	311	283
2.00	736	716	608	595	679	571	605	581	519	503	476	450	439	408	470	435	424	404	387	401	375	351	318
2.50	779	762	636	625	721	600	654	632	554	540	514	491	480	451	503	471	461	442	426	435	411	383	348
3.00	814	799	659	650	755	624	693	673	582	569	546	524	513	486	531	501	492	474	459	463	440	410	373
4.00	869	857	698	692	810	665	756	739	630	619	597	579	569	545	577	551	544	527	514	510	490	457	416
5.00	914	904	732	727	854	700	807	792	669	660	640	624	614	593	616	592	586	570	559	550	531	496	453
10.00	1000	1000	849	846	995	819	964	954	798	793	779	769	760	747	745	729	725	713	706	683	669	629	580
20.00	1000	1000	977	976	1000	949	1000	1000	936	933	923	918	911	903	883	872	870	861	857	824	815	771	719

P.Trab.

K	8873	8773	8871	8771	7773	7771	7753	7553	7751	7551	7731	7331	7711	7111	5551	5531	5331	5511	5111	3331	3311	1111	0000
0.60	414	386	386	362	369	347	261	238	251	230	186	160	140	113	215	160	151	120	107	143	106	96	79
0.80	522	492	481	456	467	435	355	327	339	314	270	237	219	184	292	234	222	190	173	209	170	155	134
1.00	606	576	552	528	544	502	432	402	409	382	339	302	285	245	353	295	282	250	230	263	224	203	180
1.25	687	658	620	597	619	566	510	478	478	451	409	371	355	311	414	358	343	313	290	319	280	254	228
1.50	749	721	669	648	676	614	572	540	531	505	464	426	410	365	461	407	392	363	339	362	325	293	266
2.00	838	813	739	721	760	683	664	634	609	586	548	511	496	451	532	483	468	440	417	429	394	355	325
2.50	898	875	783	768	816	727	729	700	661	640	605	571	556	513	579	534	521	495	472	475	442	397	365
3.00	940	920	815	802	856	758	776	750	699	680	647	615	601	561	614	573	560	535	514	509	478	428	395
4.00	997	981	855	845	910	799	842	818	749	734	704	677	664	628	661	625	614	592	572	555	528	471	435
5.00	1000	1000	881	872	945	825	885	864	782	768	742	718	705	673	691	659	649	629	612	585	561	499	462
10.00	1000	1000	935	931	1000	882	985	972	855	847	828	815	804	784	760	739	733	719	708	657	640	567	527
20.00	1000	1000	967	965	1000	915	1000	1000	899	895	883	875	867	856	803	790	787	777	771	703	693	613	571

LM53 SHR C0-C180: 1.769 SHR C90-C270: 4.146 SHR Superficial: 1.848

LuminariaCódigo 05-7606-05-05
Nombre MOBIL**Ensayo**Código 05-7606-05-05
Nombre MOBIL

Flujo Luminaria	451.92 lm	Potencia luminaria	14.50 W	Eficacia	31.17 lm/W	Eficiencia	100.00%
Flujo de Lámpara	451.92 lm	Valor Máximo	1164.75 cd/klm	Posición	C=90.00 G=45.00	CG	Asimétrico

Apertura a la derecha no hallada, gamma =37

Apertura a la derecha no hallada, gamma =37

Apertura a la derecha no hallada, gamma =37

LEDS C4[®]

Luminaria

Código 05-7606-05-05
Nombre MOBIL

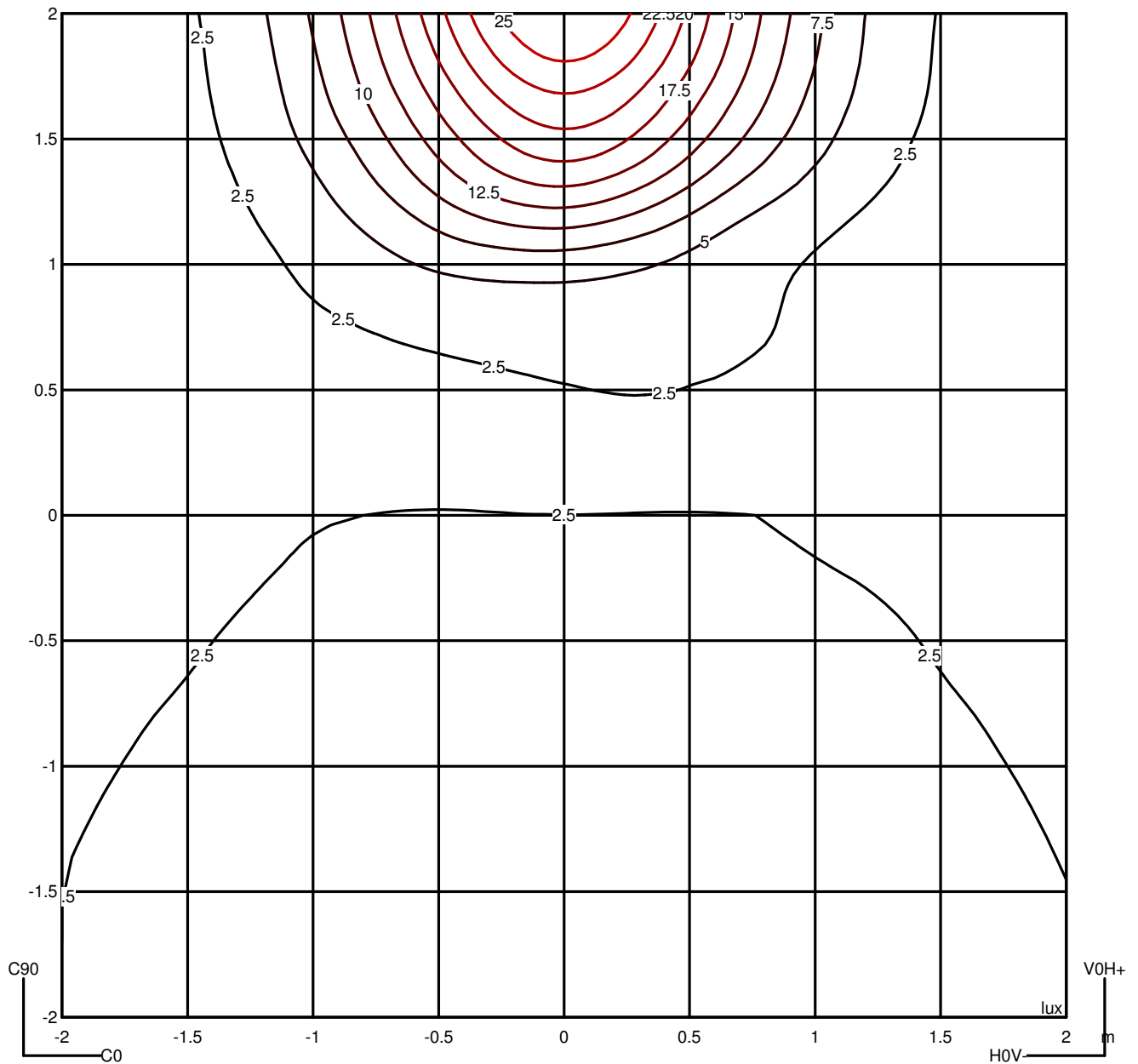
Ensayo

Código 05-7606-05-05
Nombre MOBIL

Flujo Luminaria	451.92 lm	Potencia luminaria	14.50 W	Eficacia	31.17 lm/W	Eficiencia	100.00%
Flujo de Lámpara	451.92 lm	Valor Máximo	1164.75 cd/klm	Posición	C=90.00 G=45.00	CG	Asimétrico

Isolux (Suelo)

Posición Luminaria X=0.00m Y=0.00m Z=2.50m

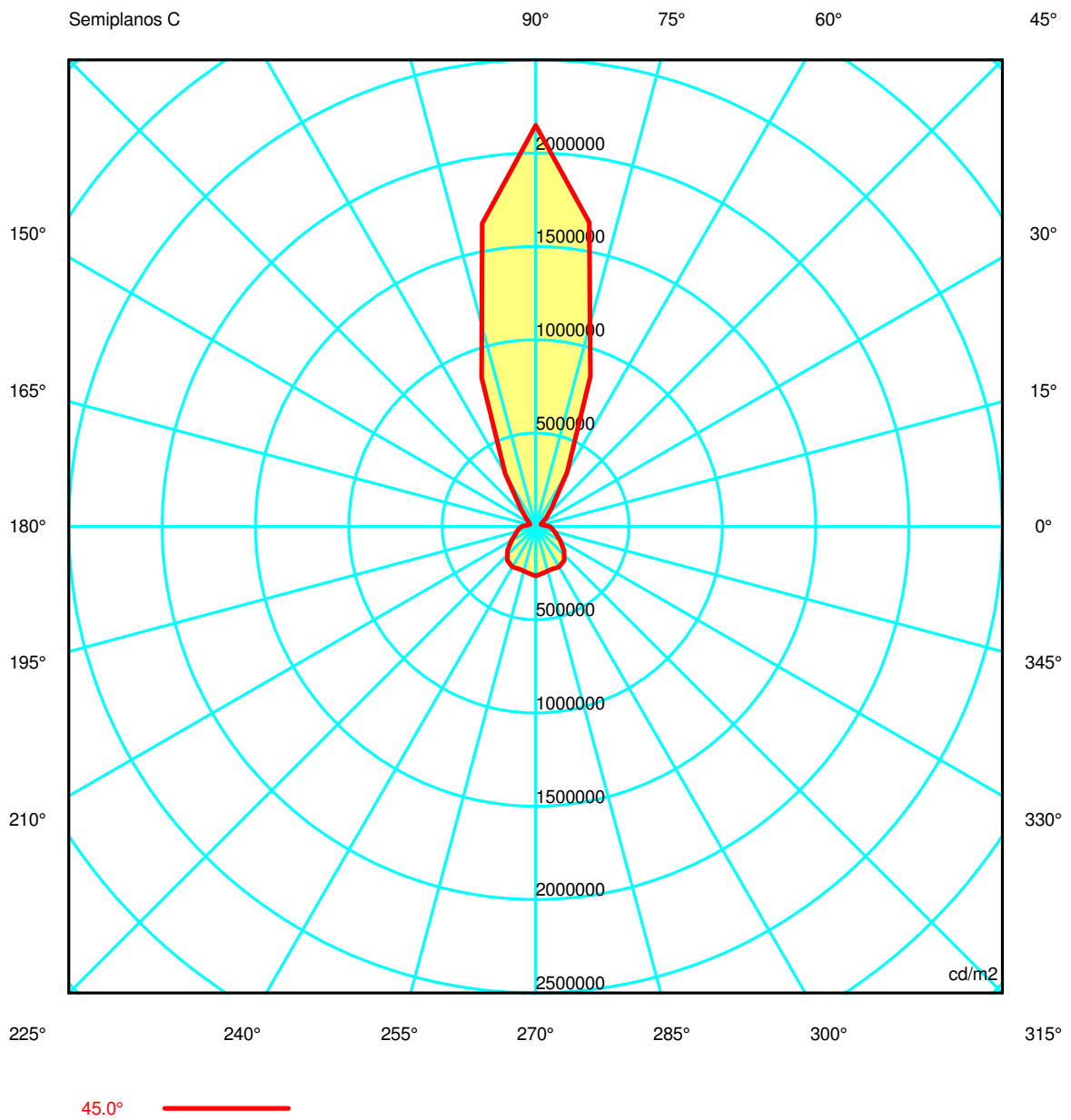


LEDS C4[®]

Luminaria
 Código 05-7606-05-05
 Nombre MOBIL
Ensayo
 Código 05-7606-05-05
 Nombre MOBIL

Flujo Luminaria	451.92 lm	Potencia luminaria	14.50 W	Eficacia	31.17 lm/W	Eficiencia	100.00%
Flujo de Lámpara	451.92 lm	Valor Máximo	1164.75 cd/klm	Posición	C=90.00 G=45.00	CG	Asimétrico

Luminancia



Luminaria

Código 05-7606-05-05

Nombre MOBIL

Ensayo

Código 05-7606-05-05

Nombre MOBIL

Flujo Luminaria	451.92 lm	Potencia luminaria	14.50 W	Eficacia	31.17 lm/W	Eficiencia	100.00%
Flujo de Lámpara	451.92 lm	Valor Máximo	1164.75 cd/klm	Posición	C=90.00 G=45.00	CG	Asimétrico

Luminance cd/m2 Tabla 1/3

	C 0.00	C 10.00	C 20.00	C 30.00	C 40.00	C 50.00	C 60.00	C 70.00	C 80.00	C 90.00	C 100.00	C 110.00	C 120.00
G 0.0	45694.74	45694.74	45694.74	45694.74	45694.74	45694.74	45694.74	45694.74	45694.74	45694.74	45694.74	45694.74	45694.74
G 5.0	48448.63	34114.78	30756.42	32223.68	33605.98	34806.98	35751.22	36394.45	36737.88	36799.14	36603.05	36181.72	35556.71
G 10.0	50874.92	35318.32	33022.78	36730.00	40027.35	42471.62	44019.08	44871.59	45049.85	44606.08	43667.10	42339.27	40758.57
G 15.0	53011.28	36526.52	35756.92	42207.16	47899.69	52803.08	56944.19	59947.27	61255.34	60686.33	58470.84	54837.67	50308.39
G 20.0	55309.80	37143.60	36669.64	45660.86	56917.06	68110.53	78647.73	89920.69	101795.40	109272.82	105244.31	92035.39	75295.80
G 25.0	58156.78	36711.47	36768.90	48715.29	62756.19	77362.58	106959.93	170822.05	243805.50	284535.20	261406.34	201354.58	138017.59
G 30.0	62296.16	36835.52	37002.48	48885.10	60778.46	97257.01	191069.73	354649.39	514346.23	584936.58	517891.33	371299.45	222616.85
G 35.0	67312.69	37488.82	36694.61	49607.18	68092.97	142065.10	305903.53	553066.76	820334.08	956882.20	813857.84	542159.86	298572.14
G 40.0	71930.60	39047.03	33985.29	45854.22	74893.88	156829.97	355617.19	730757.36	1224435.21	1512455.06	1221397.15	718396.32	335957.37
G 45.0	76905.42	39981.77	29860.51	40043.77	74955.19	135221.29	335653.36	857686.38	1654365.46	2149226.27	1648054.90	849097.89	326643.01
G 50.0	83411.83	41515.35	33068.07	44797.93	71370.16	118863.19	300231.70	772397.84	1424777.68	1802473.75	1420649.20	767309.86	294396.02
G 55.0	92776.53	45541.95	37715.67	48876.45	66439.42	107506.25	263547.98	640957.45	1114914.53	1366569.40	1096238.09	616242.11	247056.89
G 60.0	105245.73	47848.32	37751.60	48368.64	61468.75	103260.66	228322.46	487695.06	823347.27	1013139.87	818402.68	475049.01	210029.51
G 65.0	121725.44	50485.90	37705.70	50149.78	60995.29	93467.30	164865.66	283847.57	468852.01	610187.70	535358.32	342105.56	165427.59
G 70.0	146579.75	57180.40	40187.13	55754.59	69704.23	95279.00	140228.77	199576.10	257619.65	300224.62	310543.91	247825.86	144798.96
G 75.0	187159.93	69245.25	45803.39	65201.53	82355.12	105894.47	150910.02	218154.96	243691.20	226484.48	221837.28	196277.04	145668.91
G 80.0	265904.98	94067.28	56761.93	79320.00	99808.08	126202.27	172340.15	239202.27	268607.18	252973.65	237177.13	214867.62	180449.17
G 85.0	501825.39	170117.83	94570.65	133381.70	174105.97	219445.66	278989.06	356850.68	412333.03	420616.06	388838.61	342538.42	292198.29
G 90.0	0.00	0.00	0.00	0.00	0.00	0.00	0.00	0.00	0.00	0.00	0.00	0.00	0.00

Luminaria

Código 05-7606-05-05

Nombre MOBIL

Ensayo

Código 05-7606-05-05

Nombre MOBIL

Flujo Luminaria	451.92 lm	Potencia luminaria	14.50 W	Eficacia	31.17 lm/W	Eficiencia	100.00%
Flujo de Lámpara	451.92 lm	Valor Máximo	1164.75 cd/klm	Posición	C=90.00 G=45.00	CG	Asimétrico

Luminance cd/m2 Tabla 2/3

	C 130.00	C 140.00	C 150.00	C 160.00	C 170.00	C 180.00	C 190.00	C 200.00	C 210.00	C 220.00	C 230.00	C 240.00	C 250.00
G 0.0	45694.74	45694.74	45694.74	45694.74	45694.74	45694.74	45694.74	45694.74	45694.74	45694.74	45694.74	45694.74	45694.74
G 5.0	34736.39	33725.53	32531.27	31178.37	35925.95	48858.53	48800.91	48859.64	49088.01	50055.13	50916.68	51687.82	52019.07
G 10.0	39050.52	37159.72	35063.90	32797.25	37362.54	51579.29	53732.58	53393.54	56822.07	60252.39	62890.04	65047.91	66964.86
G 15.0	45638.68	41312.23	37364.46	33530.28	37768.17	53700.02	57518.58	59728.64	66890.72	74300.27	80619.00	85309.67	87660.06
G 20.0	60552.34	49148.83	40814.07	34641.31	38320.64	55788.79	61272.57	66175.04	77514.46	89763.53	100053.14	106983.82	109877.04
G 25.0	91900.30	62929.66	46050.78	36386.95	39431.39	58742.72	66467.97	74171.08	89128.32	105524.03	118739.48	126793.98	130129.96
G 30.0	126429.70	74778.88	49198.32	37135.42	40628.06	62550.37	72627.15	81904.65	99555.20	121707.25	138920.57	147948.89	152650.44
G 35.0	149080.58	76139.22	46795.59	35665.66	41338.54	66702.91	78795.67	90243.59	112469.31	142069.55	164339.64	173276.09	175440.85
G 40.0	146327.47	72065.34	43023.84	33656.97	41839.62	71083.64	86342.16	101383.06	129257.01	166841.31	195275.09	205809.81	206256.78
G 45.0	122880.42	65274.31	38882.57	32768.68	43979.23	76430.02	95212.54	115003.57	150169.49	198234.77	236720.60	250526.37	244362.07
G 50.0	108257.50	65894.64	50723.00	37940.25	44650.97	83658.54	106007.14	131291.91	177261.80	237789.33	284293.60	299982.96	293009.86
G 55.0	103539.72	67131.53	46988.83	36459.74	48236.83	92881.35	119255.67	152763.83	212139.32	285570.15	338887.25	360409.01	366360.91
G 60.0	89831.25	56653.87	48723.48	37799.01	50207.91	104921.94	137689.93	181923.74	258480.58	346974.27	406851.74	431571.65	447037.20
G 65.0	81338.79	57542.04	50159.63	37588.97	53976.44	121690.58	164019.02	219933.94	314240.69	423967.50	500605.07	522660.40	509679.59
G 70.0	88688.05	68562.78	56534.81	40317.48	61346.71	146459.81	203780.48	276507.47	391856.74	523081.56	620770.91	653702.36	635254.21
G 75.0	108442.92	83825.44	63865.71	45366.47	74456.57	186307.46	270883.99	370214.99	509737.53	671506.30	809788.04	875644.78	858566.51
G 80.0	142232.24	106930.76	78297.59	56479.18	99652.47	263938.15	403551.51	553407.98	747950.12	981631.51	1206573.70	1346206.22	1357394.42
G 85.0	233148.01	177164.15	132115.94	95382.20	177466.10	497853.11	788451.35	1091934.86	1483208.42	1968874.04	2432852.04	2685689.56	2634878.01
G 90.0	0.00	0.00	0.00	0.00	0.00	0.00	0.00	0.00	0.00	0.00	0.00	0.00	0.00

Luminaria

Código 05-7606-05-05

Nombre MOBIL

Ensayo

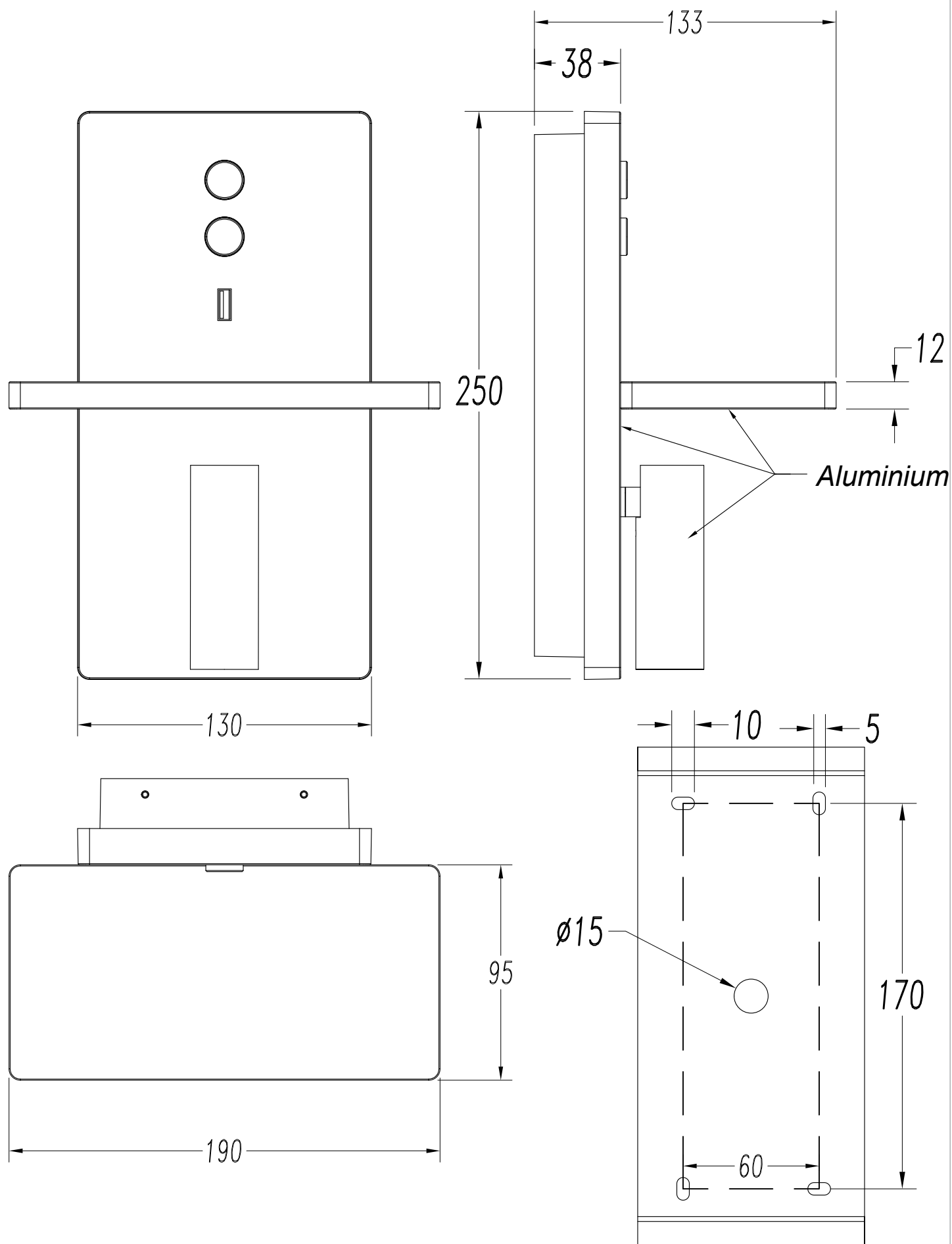
Código 05-7606-05-05

Nombre MOBIL

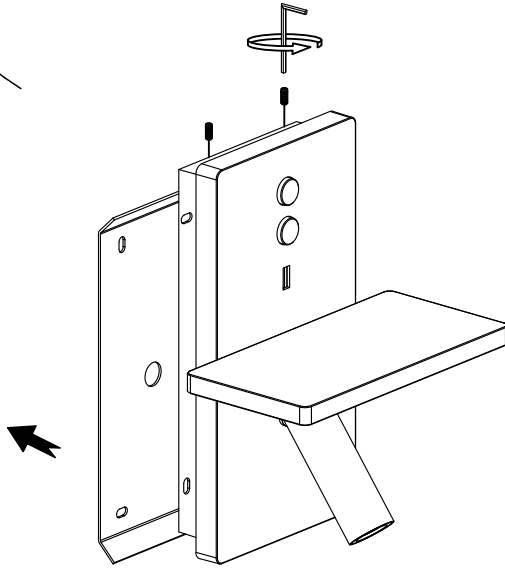
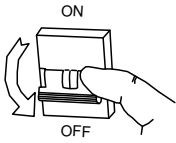
Flujo Luminaria	451.92 lm	Potencia luminaria	14.50 W	Eficacia	31.17 lm/W	Eficiencia	100.00%
Flujo de Lámpara	451.92 lm	Valor Máximo	1164.75 cd/klm	Posición	C=90.00 G=45.00	CG	Asimétrico

Luminance cd/m2 Tabla 3/3

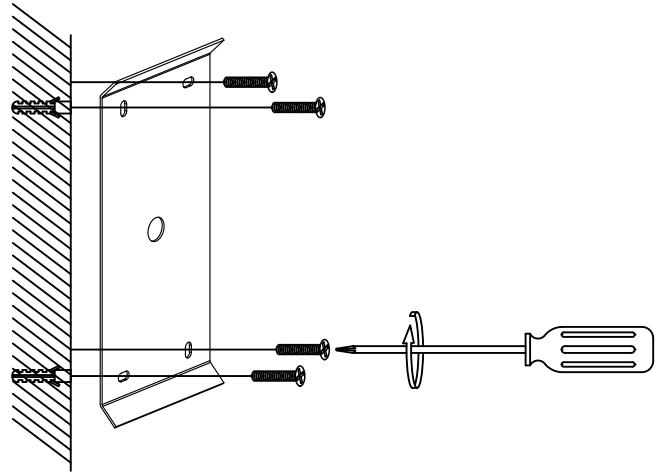
	C 260.00	C 270.00	C 280.00	C 290.00	C 300.00	C 310.00	C 320.00	C 330.00	C 340.00	C 350.00
G 0.0	45694.74	45694.74	45694.74	45694.74	45694.74	45694.74	45694.74	45694.74	45694.74	45694.74
G 5.0	51862.64	51733.86	51887.85	52028.52	51693.46	51003.03	49998.63	49032.57	48600.42	48485.47
G 10.0	67668.81	67476.36	67654.56	66965.29	65108.36	63017.15	60269.96	56929.21	53879.66	51896.94
G 15.0	87075.44	85795.90	87141.37	87669.68	85230.80	80604.80	74259.37	67039.33	60338.10	55713.63
G 20.0	108465.48	106392.71	108595.42	110091.08	107238.83	100298.18	89741.39	77517.68	66786.25	59579.67
G 25.0	129958.87	129469.64	130039.32	130230.52	126932.76	119013.07	105467.84	88944.23	74807.47	64909.68
G 30.0	155398.79	156587.71	155462.21	152716.28	147998.05	138961.18	121364.70	99241.01	82708.11	71318.98
G 35.0	181408.32	187495.81	181291.17	175331.67	173270.62	164321.22	141642.12	112159.44	91255.60	77737.19
G 40.0	213905.24	223130.41	213636.42	205858.85	205499.14	195166.09	166540.37	129092.36	102340.75	85071.33
G 45.0	251160.90	264871.60	251163.96	244212.29	250276.25	236736.85	198236.52	150265.36	115779.98	93515.53
G 50.0	300267.66	315135.73	299966.15	292802.91	300204.37	284784.15	238034.94	177505.55	132134.47	103241.67
G 55.0	372672.38	378506.74	372679.68	366390.84	360480.91	338910.20	285659.12	212770.26	153743.49	116034.16
G 60.0	454576.89	455393.73	454585.17	447045.19	431652.29	407075.33	347147.15	259076.78	183333.43	134185.62
G 65.0	525024.75	553255.10	525033.76	509660.98	522664.08	500652.62	423591.68	314099.45	221905.45	160638.79
G 70.0	655789.18	695442.91	655798.95	635232.78	653702.36	620885.85	522822.22	391704.87	278847.71	200123.57
G 75.0	881382.20	929672.58	881392.64	858543.57	875644.78	809911.10	671144.49	509584.37	371476.25	265910.97
G 80.0	1400208.84	1465101.05	1400221.62	1357366.39	1346206.22	1206724.28	981245.83	747933.66	554625.45	397940.70
G 85.0	2728735.32	2912566.88	2728758.37	2634827.41	2685689.56	2433123.45	1968188.55	1483208.42	1094847.67	780185.98
G 90.0	0.00	0.00	0.00	0.00	0.00	0.00	0.00	0.00	0.00	0.00



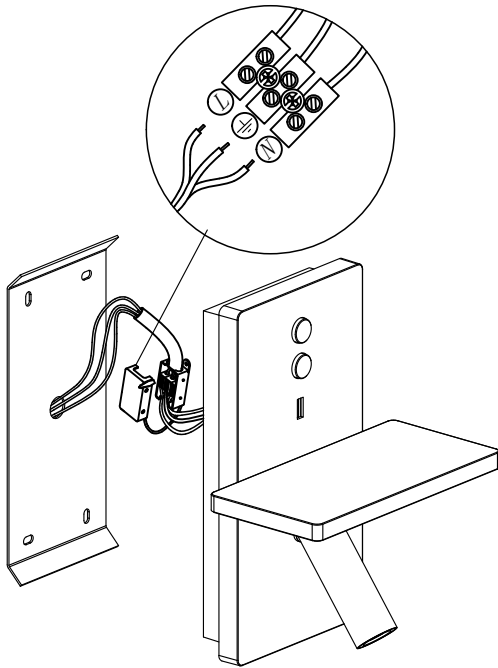
1



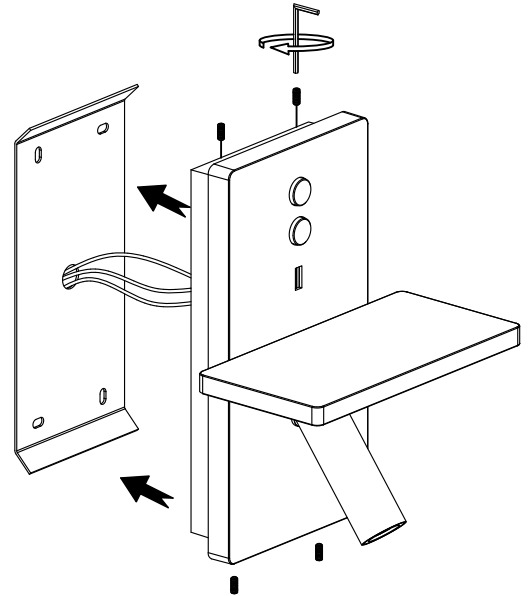
2



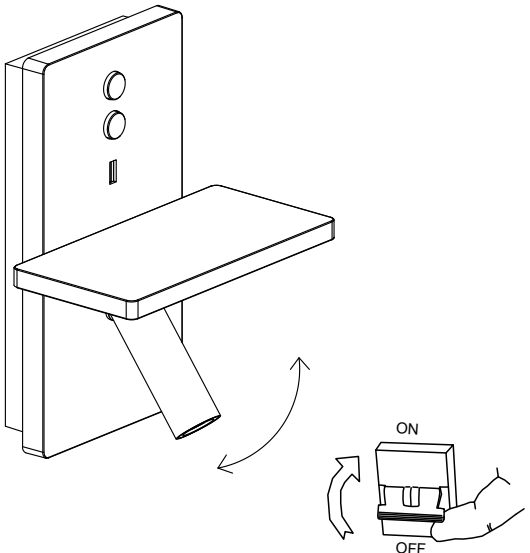
3



4



5



6

