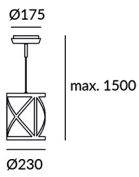


## Train Round ø230 mm 00-5688-05-M1

Manel Llusçà

Suspension Train Round ø230 mm LED 15.6W 2700K Noir 473lm



### CARACTÉRISTIQUES TECHNIQUES

IP20



Puissance (W) : 15.6W

Consommation totale du luminaire (W) : 17.8W

Lumens réels : 473

Lm/W réels : 27

Température de couleur corrélée (CCT) : Blanc chaud - 2 700 K

Angle des lentilles/Réflecteur : FLOOD 75°

Matière de la structure : Acier, Aluminium

Finition structure : Noir

Matière du diffuseur : PMMA

Finition diffuseur : Sablé

Smart Compatible

- 71-5959-00-00: Casambi

Appareillage fourni : Oui, électronique

Tension/Fréquence : 220-240V/50-60Hz

Garantie : 2 Ans

Durée de vie : 50.000h L80B20

Ta max : 25°C

Efficacité énergétique : LED A++

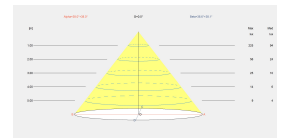
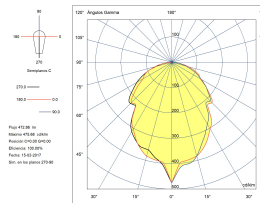
### CARACTÉRISTIQUES LUMINOTECHNIQUES

Source lumineuse: LED SAMSUNG

CRI: 80

MacAdam steps: 3

Risque photobiologique: RG0



### LOGISTIQUE

Poids net (kg): 2.37

Poids emballé (kg): 3.66

Emballage: 280mm x 280mm x 400mm

 4 Un





EIP020C0500LSD1L

|                               |                |
|-------------------------------|----------------|
| compatible Triac Light Dimmer | BERKER 2873    |
|                               | BERKER 286710  |
|                               | Busch 2247 U   |
|                               | Busch 6519 U   |
|                               | JUNG 225 NV DE |

**Luminaire**

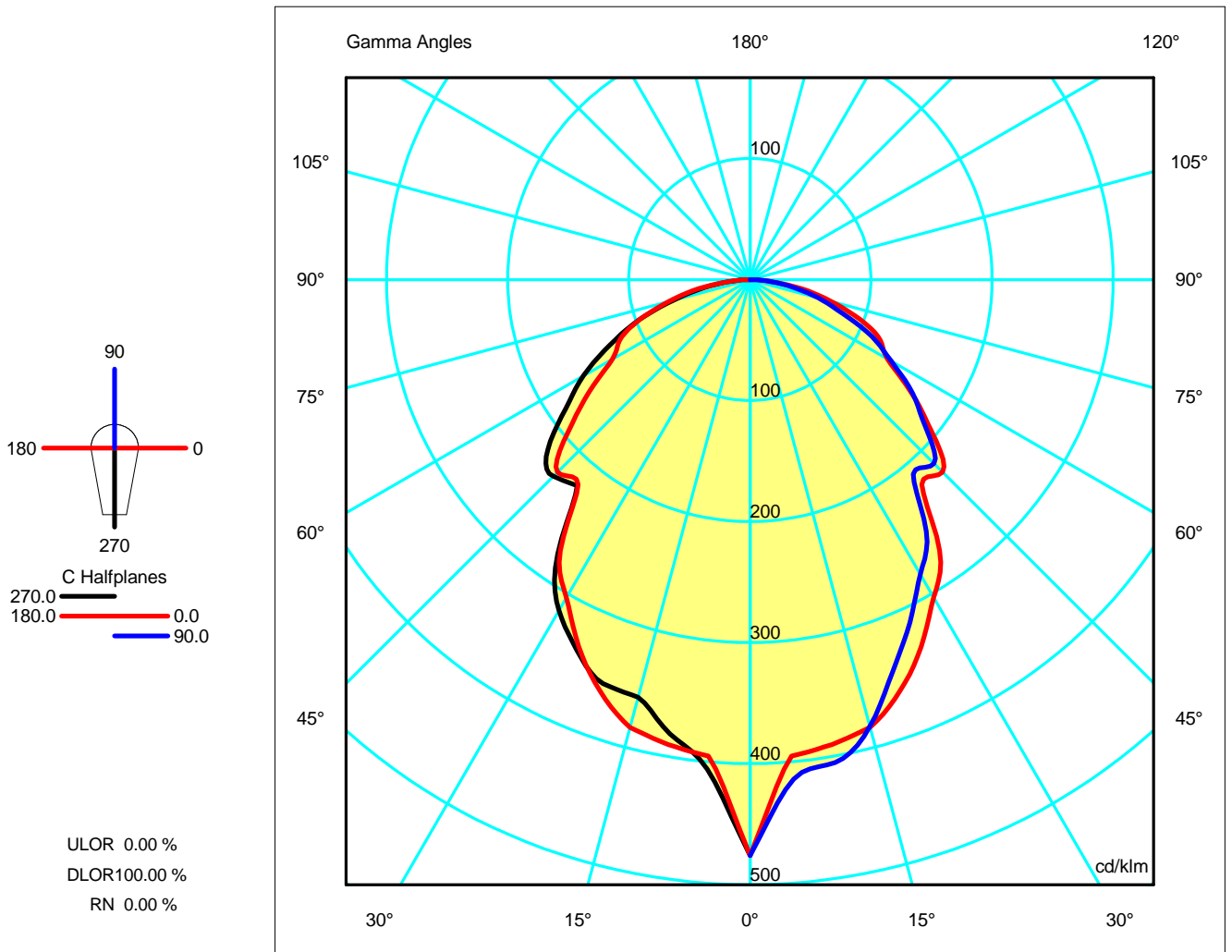
Code 00-5688-05-M1  
 Name Colgante TRAIN led 15.6W 2700K

**Measur.**

Code CL116A17F085G  
 Name Colgante TRAIN led 15.6W 2700K

|                            |             |                 |                     |                             |                       |                          |         |
|----------------------------|-------------|-----------------|---------------------|-----------------------------|-----------------------|--------------------------|---------|
| Luminaire Flux             | 472.86 lm   | Luminaire Power | 17.26 W             | Efficacy                    | 27.40 lm/W            | Efficiency               | 100.00% |
| Lamps Flux                 | 472.86 lm   | Maximum value   | 475.68 cd/klm       | Position                    | C=0.00 G=0.00         | CG Sym. on planes 270-90 |         |
| Round Luminaire            |             | Diam.           | 230 mm              | Height                      | 280 mm                |                          |         |
| Round Luminous Area        |             | Diam.           | 222 mm              | Height                      | 0 mm                  |                          |         |
| Horizontal Luminous Area   | 0.038708 m2 |                 |                     | Emitting area on Plane 180° | 0.000000 m2           |                          |         |
| Emitting area on Plane 0°  | 0.000000 m2 |                 |                     | Emitting area on Plane 270° | 0.000000 m2           |                          |         |
| Emitting area on Plane 90° | 0.000000 m2 |                 |                     | Glare area at 76°           | 0.009364 m2           |                          |         |
| Coordinate system          | CG Roads    |                 | Symmetry Type       |                             | Sym. on planes 270-90 |                          |         |
| Date                       | 15-03-2017  |                 | Maximum Gamma Angle |                             | 90                    |                          |         |
| Measurement Distance       | 0.00        |                 | Measurement Flux    |                             | 472.86 lm             |                          |         |
| Operator                   | Asselum T2  |                 | Source Voltage [V]  |                             |                       |                          |         |
| Temperature                | 25.00 °C    |                 | Source current [A]  |                             |                       |                          |         |
| Humidity                   | 60.00 %     |                 | Photocell           |                             |                       |                          |         |
| Notes                      |             |                 |                     |                             |                       |                          |         |

| Luminaire Lamps |                  |               |           |          |      |
|-----------------|------------------|---------------|-----------|----------|------|
| Line            | Code             | Name          | Flux [lm] | Pow. [W] | Q.ty |
|                 | 00-5687-05-M1    | 00-5687-05-M1 | 472.86    | 17.26    | 1    |
| C.I.E.          | 49 79 95 100 100 | D DIN 5040    | A30       |          |      |



**Luminaire**

Code 00-5688-05-M1  
Name Colgante TRAIN led 15.6W 2700K

**Measurerm.**

Code CL116A17F085G  
Name Colgante TRAIN led 15.6W 2700K

|                |           |                 |               |          |               |            |                       |
|----------------|-----------|-----------------|---------------|----------|---------------|------------|-----------------------|
| Luminaire Flux | 472.86 lm | Luminaire Power | 17.26 W       | Efficacy | 27.40 lm/W    | Efficiency | 100.00%               |
| Lamps Flux     | 472.86 lm | Maximum value   | 475.68 cd/klm | Position | C=0.00 G=0.00 | CG         | Sym. on planes 270-90 |

**Luminous Intensity Table cd/klm Table 1/1**

|        | C 270.00 | C 285.00 | C 300.00 | C 315.00 | C 330.00 | C 345.00 | C 0.00 | C 15.00 | C 30.00 | C 45.00 | C 60.00 | C 75.00 | C 90.00 |
|--------|----------|----------|----------|----------|----------|----------|--------|---------|---------|---------|---------|---------|---------|
| G 0.0  | 475.68   | 475.68   | 475.68   | 475.68   | 475.68   | 475.68   | 475.68 | 475.68  | 475.68  | 475.68  | 475.68  | 475.68  | 475.68  |
| G 5.0  | 405.86   | 402.80   | 401.60   | 402.85   | 397.32   | 405.22   | 395.07 | 396.63  | 400.03  | 395.92  | 400.04  | 393.55  | 414.21  |
| G 10.0 | 381.04   | 389.51   | 392.09   | 400.53   | 396.51   | 400.60   | 389.99 | 376.05  | 389.10  | 375.06  | 387.89  | 400.05  | 405.21  |
| G 15.0 | 357.10   | 370.30   | 382.53   | 398.01   | 367.07   | 396.15   | 382.92 | 361.62  | 358.34  | 362.90  | 385.58  | 392.09  | 382.33  |
| G 20.0 | 355.25   | 354.69   | 359.21   | 380.32   | 333.45   | 377.86   | 361.78 | 342.87  | 352.28  | 342.78  | 368.60  | 373.29  | 344.43  |
| G 25.0 | 337.99   | 330.93   | 332.85   | 357.05   | 300.04   | 356.54   | 334.54 | 319.80  | 345.14  | 322.35  | 340.79  | 347.48  | 312.42  |
| G 30.0 | 315.52   | 310.80   | 296.90   | 328.86   | 269.58   | 325.63   | 303.39 | 300.82  | 324.78  | 300.87  | 312.83  | 317.01  | 281.28  |
| G 35.0 | 276.86   | 280.49   | 269.04   | 287.02   | 238.81   | 287.20   | 273.04 | 265.85  | 294.88  | 269.56  | 277.53  | 272.70  | 253.80  |
| G 40.0 | 222.11   | 227.03   | 218.87   | 231.53   | 197.80   | 228.82   | 220.84 | 219.61  | 254.38  | 219.37  | 240.46  | 220.62  | 209.83  |
| G 45.0 | 229.60   | 232.64   | 222.62   | 237.23   | 205.36   | 237.02   | 224.95 | 221.44  | 185.23  | 221.22  | 232.18  | 227.35  | 214.92  |
| G 50.0 | 217.96   | 191.25   | 189.53   | 209.85   | 178.81   | 205.51   | 196.12 | 188.76  | 229.75  | 188.39  | 205.97  | 198.79  | 188.90  |
| G 55.0 | 185.91   | 194.39   | 154.62   | 175.75   | 150.92   | 176.19   | 162.51 | 185.69  | 198.90  | 185.81  | 174.23  | 164.61  | 164.03  |
| G 60.0 | 158.79   | 168.78   | 129.27   | 148.95   | 128.01   | 145.61   | 131.08 | 156.30  | 171.44  | 157.20  | 137.90  | 140.23  | 134.61  |
| G 65.0 | 127.49   | 136.78   | 117.84   | 112.83   | 96.20    | 113.95   | 118.72 | 128.10  | 140.12  | 127.11  | 125.81  | 102.66  | 110.95  |
| G 70.0 | 97.62    | 108.89   | 91.14    | 84.88    | 70.40    | 81.77    | 97.06  | 97.12   | 111.34  | 99.80   | 104.72  | 75.59   | 81.03   |
| G 75.0 | 64.71    | 77.29    | 65.94    | 58.06    | 47.16    | 59.28    | 68.75  | 69.78   | 80.69   | 67.51   | 79.89   | 51.14   | 58.25   |
| G 80.0 | 38.73    | 50.45    | 36.13    | 38.81    | 25.88    | 35.85    | 43.02  | 38.98   | 52.25   | 41.89   | 49.35   | 31.65   | 35.52   |
| G 85.0 | 14.58    | 21.38    | 13.83    | 17.09    | 9.67     | 17.99    | 16.79  | 15.87   | 24.89   | 13.72   | 24.70   | 10.95   | 15.81   |
| G 90.0 | 2.72     | 2.55     | 1.52     | 2.44     | 2.51     | 2.37     | 1.48   | 2.56    | 2.74    | 2.53    | 1.55    | 2.47    | 2.74    |

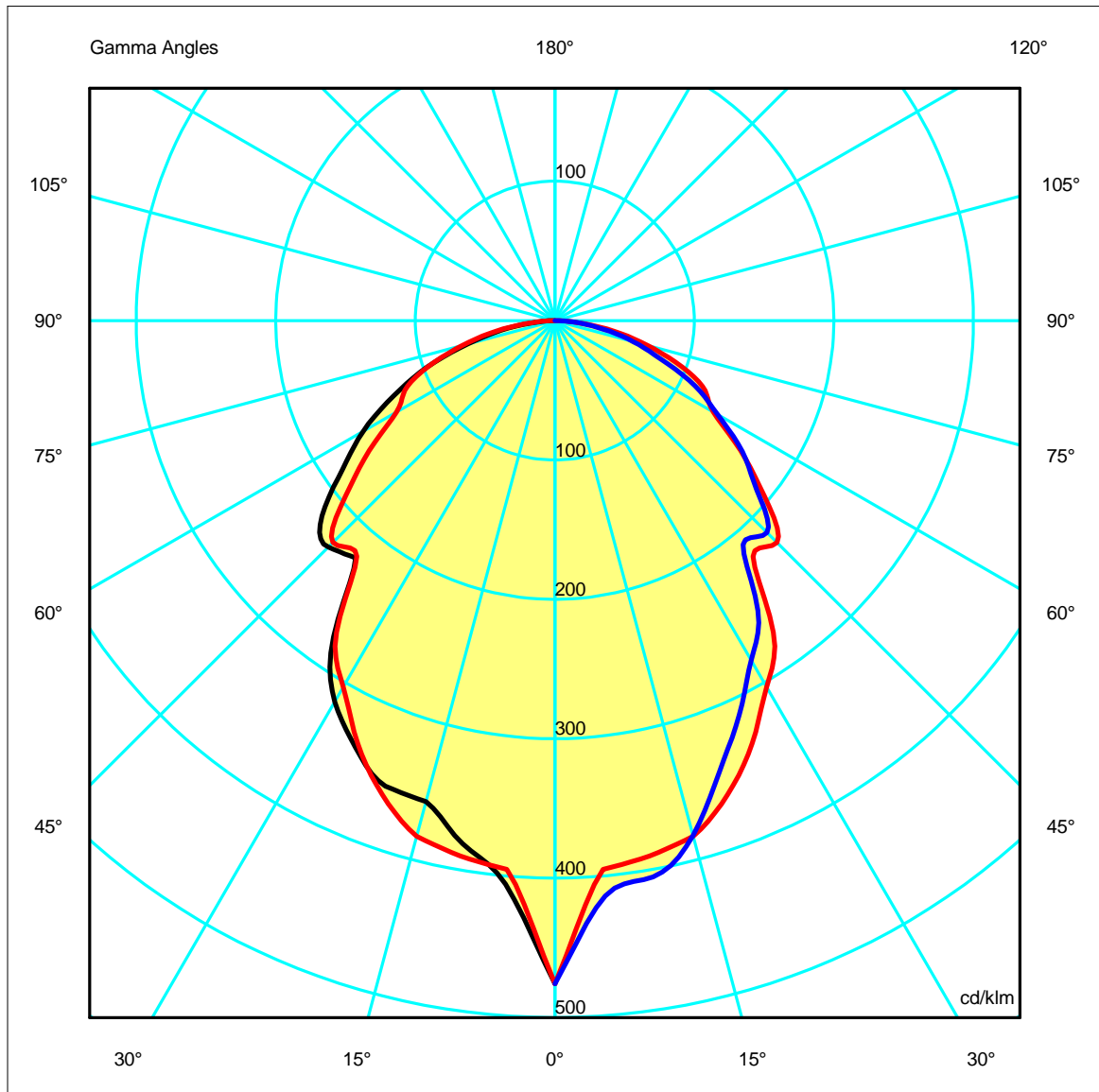
**Luminaire**

Code 00-5688-05-M1  
 Name Colgante TRAIN led 15.6W 2700K

**Measur.**

Code CL116A17F085G  
 Name Colgante TRAIN led 15.6W 2700K

|                |           |                 |               |          |               |            |                       |
|----------------|-----------|-----------------|---------------|----------|---------------|------------|-----------------------|
| Luminaire Flux | 472.86 lm | Luminaire Power | 17.26 W       | Efficacy | 27.40 lm/W    | Efficiency | 100.00%               |
| Lamps Flux     | 472.86 lm | Maximum value   | 475.68 cd/klm | Position | C=0.00 G=0.00 | CG         | Sym. on planes 270-90 |



**Luminaire**

 Code 00-5688-05-M1  
 Name Colgante TRAIN led 15.6W 2700K

**Measur.**

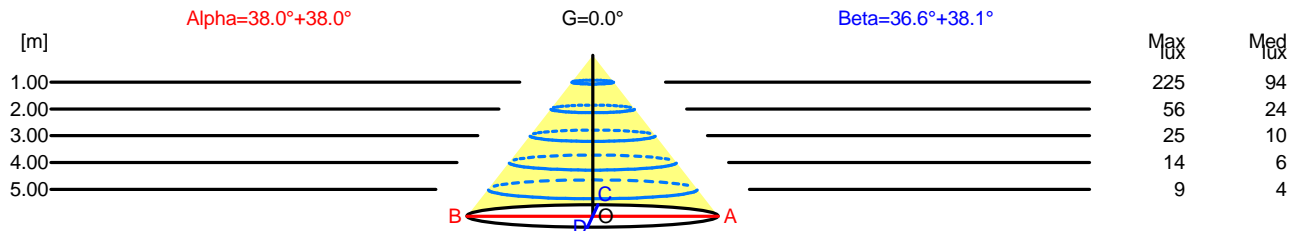
 Code CL116A17F085G  
 Name Colgante TRAIN led 15.6W 2700K

|                |           |                 |               |          |               |                          |         |
|----------------|-----------|-----------------|---------------|----------|---------------|--------------------------|---------|
| Luminaire Flux | 472.86 lm | Luminaire Power | 17.26 W       | Efficacy | 27.40 lm/W    | Efficiency               | 100.00% |
| Lamps Flux     | 472.86 lm | Maximum value   | 475.68 cd/klm | Position | C=0.00 G=0.00 | CG Sym. on planes 270-90 |         |

## Width at 50.00 % of Max Intensity

|      |      |      |      |      |      |      |      |      |      |      |      |
|------|------|------|------|------|------|------|------|------|------|------|------|
| H[m] | 1.00 | 2.00 | 3.00 | 4.00 | 5.00 | H[m] | 1.00 | 2.00 | 3.00 | 4.00 | 5.00 |
| OA   | 0.78 | 1.56 | 2.34 | 3.12 | 3.90 | OC   | 0.74 | 1.49 | 2.23 | 2.97 | 3.72 |
| OB   | 0.78 | 1.56 | 2.34 | 3.12 | 3.90 | OD   | 0.79 | 1.57 | 2.36 | 3.14 | 3.93 |

|    | Luminous Intensities [ cd/klm ] |        |        |        |        |        |       |       |       |      |
|----|---------------------------------|--------|--------|--------|--------|--------|-------|-------|-------|------|
|    | 0                               | 5      | 15     | 25     | 35     | 45     | 55    | 65    | 75    | 85   |
| OA | 224.93                          | 186.81 | 181.07 | 158.19 | 129.11 | 106.37 | 76.84 | 56.14 | 32.51 | 7.94 |
| OB | 224.93                          | 186.81 | 181.07 | 158.19 | 129.11 | 106.37 | 76.84 | 56.14 | 32.51 | 7.94 |
| OC | 224.93                          | 195.87 | 180.79 | 147.73 | 120.01 | 101.63 | 77.56 | 52.46 | 27.54 | 7.48 |
| OD | 224.93                          | 191.91 | 168.86 | 159.82 | 130.92 | 108.57 | 87.91 | 60.29 | 30.60 | 6.90 |



| H[m] | D[m] | Max lux | Med lux | Alpha=38.0°+38.0° | G=0.0 |  |
|------|------|---------|---------|-------------------|-------|--|
| 1.00 | 1.56 | 225     | 94      |                   |       |  |
| 2.00 | 3.12 | 56      | 24      |                   |       |  |
| 3.00 | 4.69 | 25      | 10      |                   |       |  |
| 4.00 | 6.25 | 14      | 6       |                   |       |  |
| 5.00 | 7.81 | 9       | 4       |                   |       |  |

| H[m] | D[m] | Max lux | Med lux | Beta=38.1°+36.6° | G=0.0 |  |
|------|------|---------|---------|------------------|-------|--|
| 1.00 | 1.53 | 225     | 94      |                  |       |  |
| 2.00 | 3.06 | 56      | 24      |                  |       |  |
| 3.00 | 4.58 | 25      | 10      |                  |       |  |
| 4.00 | 6.11 | 14      | 6       |                  |       |  |
| 5.00 | 7.64 | 9       | 4       |                  |       |  |

**Luminaire**

Code 00-5688-05-M1  
Name Colgante TRAIN led 15.6W 2700K

**Measurement**

Code CL116A17F085G  
Name Colgante TRAIN led 15.6W 2700K

|                |           |                 |               |          |               |            |                       |
|----------------|-----------|-----------------|---------------|----------|---------------|------------|-----------------------|
| Luminaire Flux | 472.86 lm | Luminaire Power | 17.26 W       | Efficacy | 27.40 lm/W    | Efficiency | 100.00%               |
| Lamps Flux     | 472.86 lm | Maximum value   | 475.68 cd/klm | Position | C=0.00 G=0.00 | CG         | Sym. on planes 270-90 |

UGR  
S = 0.250

| Reflectancies  |                 |      |      |      |      |               |      |      |      |      |
|----------------|-----------------|------|------|------|------|---------------|------|------|------|------|
| Ceiling/Cavity | 0.7             | 0.7  | 0.5  | 0.5  | 0.3  | 0.7           | 0.7  | 0.5  | 0.5  | 0.3  |
| Walls          | 0.5             | 0.3  | 0.5  | 0.3  | 0.3  | 0.5           | 0.3  | 0.5  | 0.3  | 0.3  |
| WorkingPlane   | 0.2             | 0.2  | 0.2  | 0.2  | 0.2  | 0.2           | 0.2  | 0.2  | 0.2  | 0.2  |
| RoomDimensions | ViewedCrosswise |      |      |      |      | ViewedEndwise |      |      |      |      |
| x=2H y=2H      | 16.9            | 18.2 | 17.2 | 18.4 | 18.9 | 17.2          | 18.5 | 17.5 | 18.7 | 18.9 |
| x=2H y=3H      | 18.5            | 19.7 | 18.9 | 20.0 | 20.8 | 19.1          | 20.3 | 19.4 | 20.5 | 20.8 |
| x=2H y=4H      | 19.2            | 20.4 | 19.6 | 20.6 | 21.5 | 19.8          | 20.9 | 20.1 | 21.2 | 21.5 |
| x=2H y=6H      | 19.8            | 20.8 | 20.1 | 21.1 | 22.0 | 20.3          | 21.4 | 20.7 | 21.7 | 22.0 |
| x=2H y=8H      | 20.0            | 21.0 | 20.3 | 21.3 | 22.1 | 20.5          | 21.5 | 20.9 | 21.8 | 22.1 |
| x=2H y=12H     | 20.1            | 21.0 | 20.4 | 21.3 | 22.2 | 20.6          | 21.6 | 21.0 | 21.9 | 22.2 |
| x=4H y=2H      | 17.6            | 18.8 | 18.0 | 19.0 | 19.5 | 17.8          | 18.9 | 18.1 | 19.2 | 19.5 |
| x=4H y=3H      | 19.5            | 20.5 | 19.9 | 20.8 | 21.5 | 19.8          | 20.8 | 20.2 | 21.1 | 21.5 |
| x=4H y=4H      | 20.3            | 21.2 | 20.7 | 21.5 | 22.3 | 20.7          | 21.6 | 21.1 | 21.9 | 22.3 |
| x=4H y=6H      | 20.9            | 21.7 | 21.4 | 22.1 | 23.0 | 21.5          | 22.2 | 21.9 | 22.6 | 23.0 |
| x=4H y=8H      | 21.2            | 21.9 | 21.6 | 22.2 | 23.2 | 21.8          | 22.4 | 22.2 | 22.8 | 23.2 |
| x=4H y=12H     | 21.3            | 21.9 | 21.8 | 22.3 | 23.4 | 21.9          | 22.5 | 22.4 | 22.9 | 23.4 |
| x=8H y=4H      | 20.7            | 21.4 | 21.1 | 21.7 | 22.5 | 21.0          | 21.6 | 21.4 | 22.0 | 22.5 |
| x=8H y=6H      | 21.5            | 22.0 | 21.9 | 22.4 | 23.3 | 21.8          | 22.4 | 22.3 | 22.8 | 23.3 |
| x=8H y=8H      | 21.8            | 22.3 | 22.2 | 22.7 | 23.6 | 22.2          | 22.7 | 22.7 | 23.1 | 23.6 |
| x=8H y=12H     | 22.0            | 22.4 | 22.5 | 22.9 | 23.8 | 22.4          | 22.9 | 22.9 | 23.3 | 23.8 |
| x=12H y=4H     | 20.7            | 21.3 | 21.2 | 21.8 | 22.4 | 21.0          | 21.6 | 21.4 | 22.0 | 22.4 |
| x=12H y=6H     | 21.5            | 22.0 | 22.0 | 22.5 | 23.3 | 21.9          | 22.4 | 22.3 | 22.8 | 23.3 |
| x=12H y=8H     | 21.9            | 22.3 | 22.4 | 22.8 | 23.6 | 22.2          | 22.7 | 22.7 | 23.1 | 23.6 |



**Luminaire**

Code 00-5688-05-M1  
 Name Colgante TRAIN led 15.6W 2700K

**Measur.**

Code CL116A17F085G  
 Name Colgante TRAIN led 15.6W 2700K

|                |           |                 |               |          |               |            |                       |
|----------------|-----------|-----------------|---------------|----------|---------------|------------|-----------------------|
| Luminaire Flux | 472.86 lm | Luminaire Power | 17.26 W       | Efficacy | 27.40 lm/W    | Efficiency | 100.00%               |
| Lamps Flux     | 472.86 lm | Maximum value   | 475.68 cd/klm | Position | C=0.00 G=0.00 | CG         | Sym. on planes 270-90 |



**Luminaire**

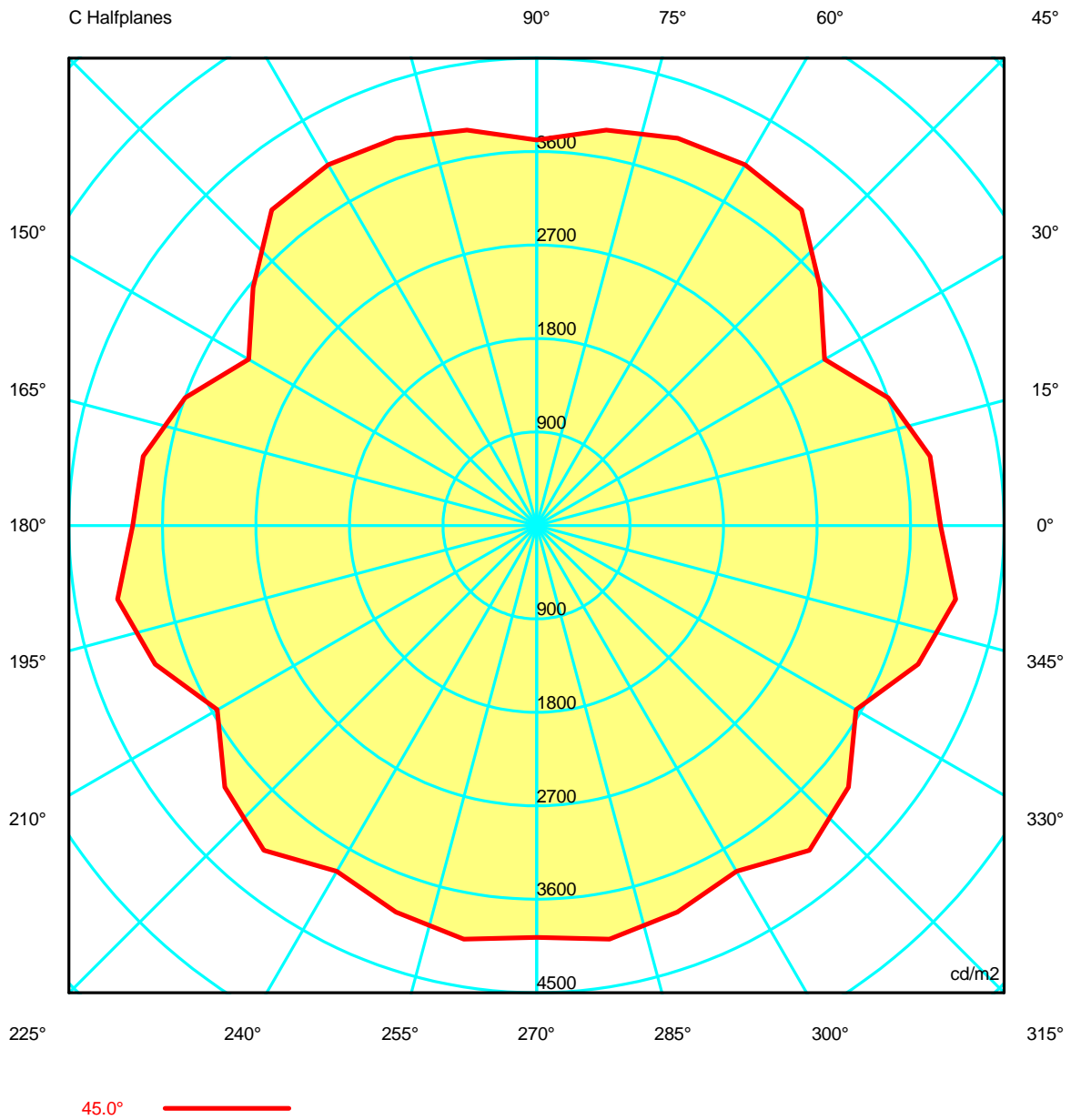
Code 00-5688-05-M1  
 Name Colgante TRAIN led 15.6W 2700K

**Measur.**

Code CL116A17F085G  
 Name Colgante TRAIN led 15.6W 2700K

|                |           |                 |               |          |               |            |                       |
|----------------|-----------|-----------------|---------------|----------|---------------|------------|-----------------------|
| Luminaire Flux | 472.86 lm | Luminaire Power | 17.26 W       | Efficacy | 27.40 lm/W    | Efficiency | 100.00%               |
| Lamps Flux     | 472.86 lm | Maximum value   | 475.68 cd/klm | Position | C=0.00 G=0.00 | CG         | Sym. on planes 270-90 |

Luminance



**Luminaire**

Code 00-5688-05-M1  
Name Colgante TRAIN led 15.6W 2700K

**Measurerm.**

Code CL116A17F085G  
Name Colgante TRAIN led 15.6W 2700K

|                |           |                 |               |          |               |            |                       |
|----------------|-----------|-----------------|---------------|----------|---------------|------------|-----------------------|
| Luminaire Flux | 472.86 lm | Luminaire Power | 17.26 W       | Efficacy | 27.40 lm/W    | Efficiency | 100.00%               |
| Lamps Flux     | 472.86 lm | Maximum value   | 475.68 cd/klm | Position | C=0.00 G=0.00 | CG         | Sym. on planes 270-90 |

**Luminance cd/m2 Table 1/3**

|        | C 0.00  | C 10.00 | C 20.00 | C 30.00 | C 40.00 | C 50.00 | C 60.00 | C 70.00 | C 80.00 | C 90.00 | C 100.00 | C 110.00 | C 120.00 |
|--------|---------|---------|---------|---------|---------|---------|---------|---------|---------|---------|----------|----------|----------|
| G 0.0  | 5810.94 | 5810.94 | 5810.94 | 5810.94 | 5810.94 | 5810.94 | 5810.94 | 5810.94 | 5810.94 | 5810.94 | 5810.94  | 5810.94  | 5810.94  |
| G 5.0  | 4844.62 | 4840.20 | 4888.31 | 4905.41 | 4863.28 | 4873.64 | 4905.61 | 4836.13 | 4873.10 | 5079.41 | 4873.10  | 4836.13  | 4905.61  |
| G 10.0 | 4837.62 | 4683.65 | 4715.13 | 4826.62 | 4706.94 | 4667.13 | 4811.62 | 4926.46 | 4989.02 | 5026.46 | 4989.02  | 4926.46  | 4811.62  |
| G 15.0 | 4842.82 | 4638.59 | 4541.34 | 4531.94 | 4545.10 | 4675.60 | 4876.38 | 4962.70 | 4931.07 | 4835.39 | 4931.07  | 4962.70  | 4876.38  |
| G 20.0 | 4703.23 | 4484.06 | 4495.10 | 4579.69 | 4473.56 | 4531.56 | 4791.89 | 4891.14 | 4759.82 | 4477.62 | 4759.82  | 4891.14  | 4791.89  |
| G 25.0 | 4509.31 | 4284.21 | 4436.02 | 4652.17 | 4443.35 | 4365.02 | 4593.50 | 4718.67 | 4572.42 | 4211.13 | 4572.42  | 4718.67  | 4593.50  |
| G 30.0 | 4279.59 | 4164.95 | 4386.74 | 4581.30 | 4355.87 | 4239.68 | 4412.75 | 4513.36 | 4351.69 | 3967.69 | 4351.69  | 4513.36  | 4412.75  |
| G 35.0 | 4071.84 | 3906.31 | 4128.59 | 4397.51 | 4153.36 | 4059.57 | 4138.89 | 4130.05 | 3983.32 | 3784.91 | 3983.32  | 4130.05  | 4138.89  |
| G 40.0 | 3521.67 | 3408.15 | 3726.70 | 4056.62 | 3664.46 | 3546.23 | 3834.57 | 3669.79 | 3420.41 | 3346.16 | 3420.41  | 3669.79  | 3834.57  |
| G 45.0 | 3886.19 | 3845.76 | 3597.99 | 3200.01 | 3564.10 | 3967.09 | 4011.12 | 3968.95 | 3867.76 | 3712.93 | 3867.76  | 3968.95  | 4011.12  |
| G 50.0 | 3727.17 | 3495.83 | 3885.10 | 4366.39 | 3839.82 | 3691.77 | 3914.52 | 3880.08 | 3696.45 | 3589.92 | 3696.45  | 3880.08  | 3914.52  |
| G 55.0 | 3461.08 | 3732.06 | 4123.77 | 4236.11 | 4071.55 | 3863.34 | 3710.81 | 3559.01 | 3501.75 | 3493.50 | 3501.75  | 3559.01  | 3710.81  |
| G 60.0 | 3202.54 | 3546.87 | 4028.11 | 4188.73 | 4011.91 | 3648.61 | 3369.07 | 3391.70 | 3413.44 | 3288.76 | 3413.44  | 3391.70  | 3369.07  |
| G 65.0 | 3431.67 | 3568.36 | 3869.04 | 4050.20 | 3792.94 | 3661.64 | 3636.52 | 3164.85 | 2936.54 | 3207.14 | 2936.54  | 3164.85  | 3636.52  |
| G 70.0 | 3466.61 | 3468.18 | 3651.92 | 3976.83 | 3680.53 | 3635.35 | 3740.36 | 3035.51 | 2603.66 | 2894.32 | 2603.66  | 3035.51  | 3740.36  |
| G 75.0 | 3245.13 | 3277.51 | 3512.52 | 3808.70 | 3312.58 | 3384.68 | 3770.69 | 2871.84 | 2294.86 | 2749.40 | 2294.86  | 2871.84  | 3770.69  |
| G 80.0 | 3026.41 | 2720.09 | 3060.36 | 3675.59 | 3152.03 | 3092.32 | 3471.46 | 2654.91 | 2106.96 | 2499.04 | 2106.96  | 2654.91  | 3471.46  |
| G 85.0 | 2352.75 | 2027.34 | 2767.38 | 3488.80 | 2271.68 | 2336.85 | 3462.36 | 2238.69 | 1382.60 | 2215.96 | 1382.60  | 2238.69  | 3462.36  |
| G 90.0 | 0.00    | 0.00    | 0.00    | 0.00    | 0.00    | 0.00    | 0.00    | 0.00    | 0.00    | 0.00    | 0.00     | 0.00     | 0.00     |

**Luminaire**

Code 00-5688-05-M1  
Name Colgante TRAIN led 15.6W 2700K

**Measurerm.**

Code CL116A17F085G  
Name Colgante TRAIN led 15.6W 2700K

|                |           |                 |               |          |               |            |                       |
|----------------|-----------|-----------------|---------------|----------|---------------|------------|-----------------------|
| Luminaire Flux | 472.86 lm | Luminaire Power | 17.26 W       | Efficacy | 27.40 lm/W    | Efficiency | 100.00%               |
| Lamps Flux     | 472.86 lm | Maximum value   | 475.68 cd/klm | Position | C=0.00 G=0.00 | CG         | Sym. on planes 270-90 |

**Luminance cd/m2 Table 2/3**

|        | C 130.00 | C 140.00 | C 150.00 | C 160.00 | C 170.00 | C 180.00 | C 190.00 | C 200.00 | C 210.00 | C 220.00 | C 230.00 | C 240.00 | C 250.00 |
|--------|----------|----------|----------|----------|----------|----------|----------|----------|----------|----------|----------|----------|----------|
| G 0.0  | 5810.94  | 5810.94  | 5810.94  | 5810.94  | 5810.94  | 5810.94  | 5810.94  | 5810.94  | 5810.94  | 5810.94  | 5810.94  | 5810.94  | 5810.94  |
| G 5.0  | 4873.64  | 4863.28  | 4905.41  | 4888.31  | 4840.20  | 4844.62  | 4943.17  | 4947.56  | 4872.24  | 4911.73  | 4934.95  | 4924.69  | 4928.66  |
| G 10.0 | 4667.13  | 4706.94  | 4826.62  | 4715.13  | 4683.65  | 4837.62  | 4953.22  | 4955.60  | 4918.57  | 4958.99  | 4944.47  | 4863.67  | 4840.79  |
| G 15.0 | 4675.60  | 4545.10  | 4531.94  | 4541.34  | 4638.59  | 4842.82  | 5029.12  | 4876.48  | 4642.32  | 4902.82  | 5035.31  | 4837.83  | 4720.34  |
| G 20.0 | 4531.56  | 4473.56  | 4579.69  | 4495.10  | 4484.06  | 4703.23  | 4950.27  | 4700.43  | 4334.89  | 4740.94  | 4947.01  | 4669.81  | 4593.20  |
| G 25.0 | 4365.02  | 4443.35  | 4652.17  | 4436.02  | 4284.21  | 4509.31  | 4843.19  | 4533.61  | 4044.27  | 4551.72  | 4821.30  | 4486.42  | 4417.46  |
| G 30.0 | 4239.68  | 4355.87  | 4581.30  | 4386.74  | 4164.95  | 4279.59  | 4488.72  | 4310.28  | 3802.68  | 4373.52  | 4601.86  | 4188.07  | 4262.74  |
| G 35.0 | 4059.57  | 4153.36  | 4397.51  | 4128.59  | 3906.31  | 4071.84  | 4212.69  | 4019.45  | 3561.42  | 4038.95  | 4190.95  | 4012.14  | 4126.07  |
| G 40.0 | 3546.23  | 3664.46  | 4056.62  | 3726.70  | 3408.15  | 3521.67  | 3606.58  | 3461.53  | 3154.37  | 3516.07  | 3692.20  | 3490.31  | 3557.26  |
| G 45.0 | 3967.09  | 3564.10  | 3200.01  | 3597.99  | 3845.76  | 3886.19  | 4096.58  | 3908.26  | 3547.78  | 3917.54  | 4084.51  | 3846.04  | 3961.43  |
| G 50.0 | 3691.77  | 3839.82  | 4366.39  | 3885.10  | 3495.83  | 3727.17  | 3954.44  | 3707.92  | 3398.21  | 3808.70  | 3859.40  | 3601.90  | 3541.64  |
| G 55.0 | 3863.34  | 4071.55  | 4236.11  | 4123.77  | 3732.06  | 3461.08  | 3711.87  | 3578.92  | 3214.40  | 3607.24  | 3617.79  | 3293.12  | 3841.12  |
| G 60.0 | 3648.61  | 4011.91  | 4188.73  | 4028.11  | 3546.87  | 3202.54  | 3478.80  | 3426.76  | 3127.65  | 3521.53  | 3490.85  | 3158.27  | 3790.96  |
| G 65.0 | 3661.64  | 3792.94  | 4050.20  | 3869.04  | 3568.36  | 3431.67  | 3393.90  | 3091.40  | 2780.71  | 3080.42  | 3328.22  | 3406.16  | 3801.40  |
| G 70.0 | 3635.35  | 3680.53  | 3976.83  | 3651.92  | 3468.18  | 3466.61  | 3158.04  | 2696.69  | 2514.62  | 2851.82  | 3111.86  | 3255.33  | 3726.67  |
| G 75.0 | 3384.68  | 3312.58  | 3808.70  | 3512.52  | 3277.51  | 3245.13  | 3019.94  | 2537.52  | 2225.88  | 2529.67  | 2875.22  | 3112.35  | 3541.39  |
| G 80.0 | 3092.32  | 3152.03  | 3675.59  | 3060.36  | 2720.09  | 3026.41  | 2824.33  | 2160.92  | 1820.37  | 2466.62  | 2701.46  | 2541.57  | 3262.05  |
| G 85.0 | 2336.85  | 2271.68  | 3488.80  | 2767.38  | 2027.34  | 2352.75  | 2465.19  | 2074.58  | 1355.78  | 2076.75  | 2311.90  | 1938.81  | 2678.52  |
| G 90.0 | 0.00     | 0.00     | 0.00     | 0.00     | 0.00     | 0.00     | 0.00     | 0.00     | 0.00     | 0.00     | 0.00     | 0.00     | 0.00     |

**Luminaire**

Code 00-5688-05-M1  
Name Colgante TRAIN led 15.6W 2700K

**Measurment.**

Code CL116A17F085G  
Name Colgante TRAIN led 15.6W 2700K

|                |           |                 |               |          |               |            |                       |
|----------------|-----------|-----------------|---------------|----------|---------------|------------|-----------------------|
| Luminaire Flux | 472.86 lm | Luminaire Power | 17.26 W       | Efficacy | 27.40 lm/W    | Efficiency | 100.00%               |
| Lamps Flux     | 472.86 lm | Maximum value   | 475.68 cd/klm | Position | C=0.00 G=0.00 | CG         | Sym. on planes 270-90 |

**Luminance cd/m2 Table 3/3**

|        | C 260.00 | C 270.00 | C 280.00 | C 290.00 | C 300.00 | C 310.00 | C 320.00 | C 330.00 | C 340.00 | C 350.00 |
|--------|----------|----------|----------|----------|----------|----------|----------|----------|----------|----------|
| G 0.0  | 5810.94  | 5810.94  | 5810.94  | 5810.94  | 5810.94  | 5810.94  | 5810.94  | 5810.94  | 5810.94  | 5810.94  |
| G 5.0  | 4951.46  | 4976.91  | 4951.46  | 4928.66  | 4924.69  | 4934.95  | 4911.73  | 4872.24  | 4947.56  | 4943.17  |
| G 10.0 | 4807.22  | 4726.63  | 4807.22  | 4840.79  | 4863.67  | 4944.47  | 4958.99  | 4918.57  | 4955.60  | 4953.22  |
| G 15.0 | 4635.76  | 4516.30  | 4635.76  | 4720.34  | 4837.83  | 5035.31  | 4902.82  | 4642.32  | 4876.48  | 5029.12  |
| G 20.0 | 4621.60  | 4618.31  | 4621.60  | 4593.20  | 4669.81  | 4947.01  | 4740.94  | 4334.89  | 4700.43  | 4950.27  |
| G 25.0 | 4499.53  | 4555.70  | 4499.53  | 4417.46  | 4486.42  | 4821.30  | 4551.72  | 4044.27  | 4533.61  | 4843.19  |
| G 30.0 | 4406.29  | 4450.64  | 4406.29  | 4262.74  | 4188.07  | 4601.86  | 4373.52  | 3802.68  | 4310.28  | 4488.72  |
| G 35.0 | 4209.24  | 4128.89  | 4209.24  | 4126.07  | 4012.14  | 4190.95  | 4038.95  | 3561.42  | 4019.45  | 4212.69  |
| G 40.0 | 3631.32  | 3542.02  | 3631.32  | 3557.26  | 3490.31  | 3692.20  | 3516.07  | 3154.37  | 3461.53  | 3606.58  |
| G 45.0 | 4043.58  | 3966.60  | 4043.58  | 3961.43  | 3846.04  | 4084.51  | 3917.54  | 3547.78  | 3908.26  | 4096.58  |
| G 50.0 | 3777.25  | 4142.23  | 3777.25  | 3541.64  | 3601.90  | 3859.40  | 3808.70  | 3398.21  | 3707.92  | 3954.44  |
| G 55.0 | 4226.02  | 3959.46  | 4226.02  | 3841.12  | 3293.12  | 3617.79  | 3607.24  | 3214.40  | 3578.92  | 3711.87  |
| G 60.0 | 4210.28  | 3879.51  | 4210.28  | 3790.96  | 3158.27  | 3490.85  | 3521.53  | 3127.65  | 3426.76  | 3478.80  |
| G 65.0 | 3960.42  | 3685.23  | 3960.42  | 3801.40  | 3406.16  | 3328.22  | 3080.42  | 2780.71  | 3091.40  | 3393.90  |
| G 70.0 | 3872.61  | 3486.91  | 3872.61  | 3726.67  | 3255.33  | 3111.86  | 2851.82  | 2514.62  | 2696.69  | 3158.04  |
| G 75.0 | 3569.78  | 3054.18  | 3569.78  | 3541.39  | 3112.35  | 2875.22  | 2529.67  | 2225.88  | 2537.52  | 3019.94  |
| G 80.0 | 3498.51  | 2724.89  | 3498.51  | 3262.05  | 2541.57  | 2701.46  | 2466.62  | 1820.37  | 2160.92  | 2824.33  |
| G 85.0 | 2934.82  | 2043.90  | 2934.82  | 2678.52  | 1938.81  | 2311.90  | 2076.75  | 1355.78  | 2074.58  | 2465.19  |
| G 90.0 | 0.00     | 0.00     | 0.00     | 0.00     | 0.00     | 0.00     | 0.00     | 0.00     | 0.00     | 0.00     |

**Luminaire**

Code 00-5688-05-M1  
 Name Colgante TRAIN led 15.6W 2700K

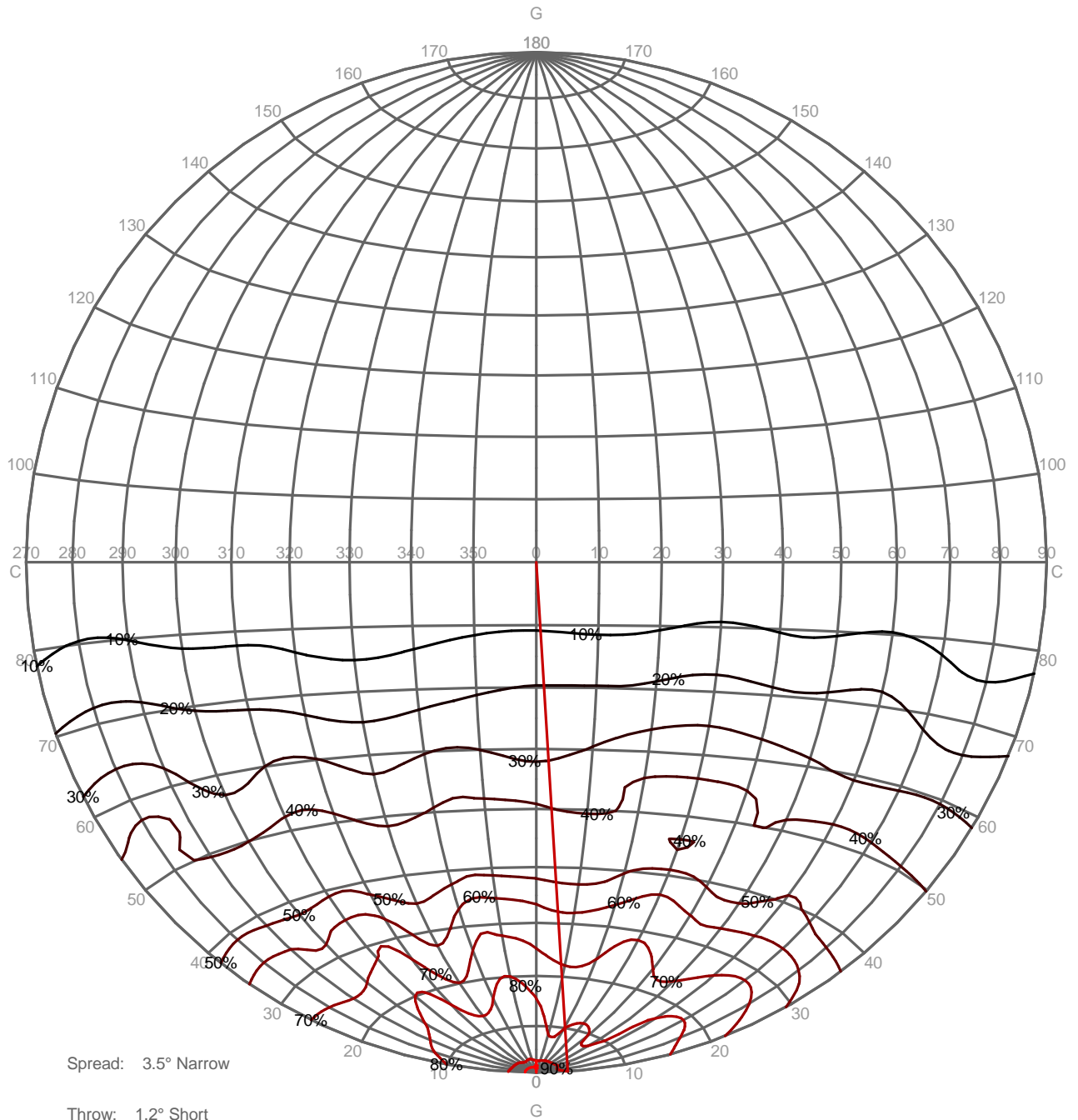
**Measur.**

Code CL116A17F085G  
 Name Colgante TRAIN led 15.6W 2700K

|                |           |                 |               |          |               |            |                       |
|----------------|-----------|-----------------|---------------|----------|---------------|------------|-----------------------|
| Luminaire Flux | 472.86 lm | Luminaire Power | 17.26 W       | Efficacy | 27.40 lm/W    | Efficiency | 100.00%               |
| Lamps Flux     | 472.86 lm | Maximum value   | 475.68 cd/klm | Position | C=0.00 G=0.00 | CG         | Sym. on planes 270-90 |

**PERCENTAGE ISOCANDLES**

Projection: Equal Area SLI 8.0 Tight Tilting Angle:0°



**Luminaire**

Code 00-5688-05-M1  
 Name Colgante TRAIN led 15.6W 2700K

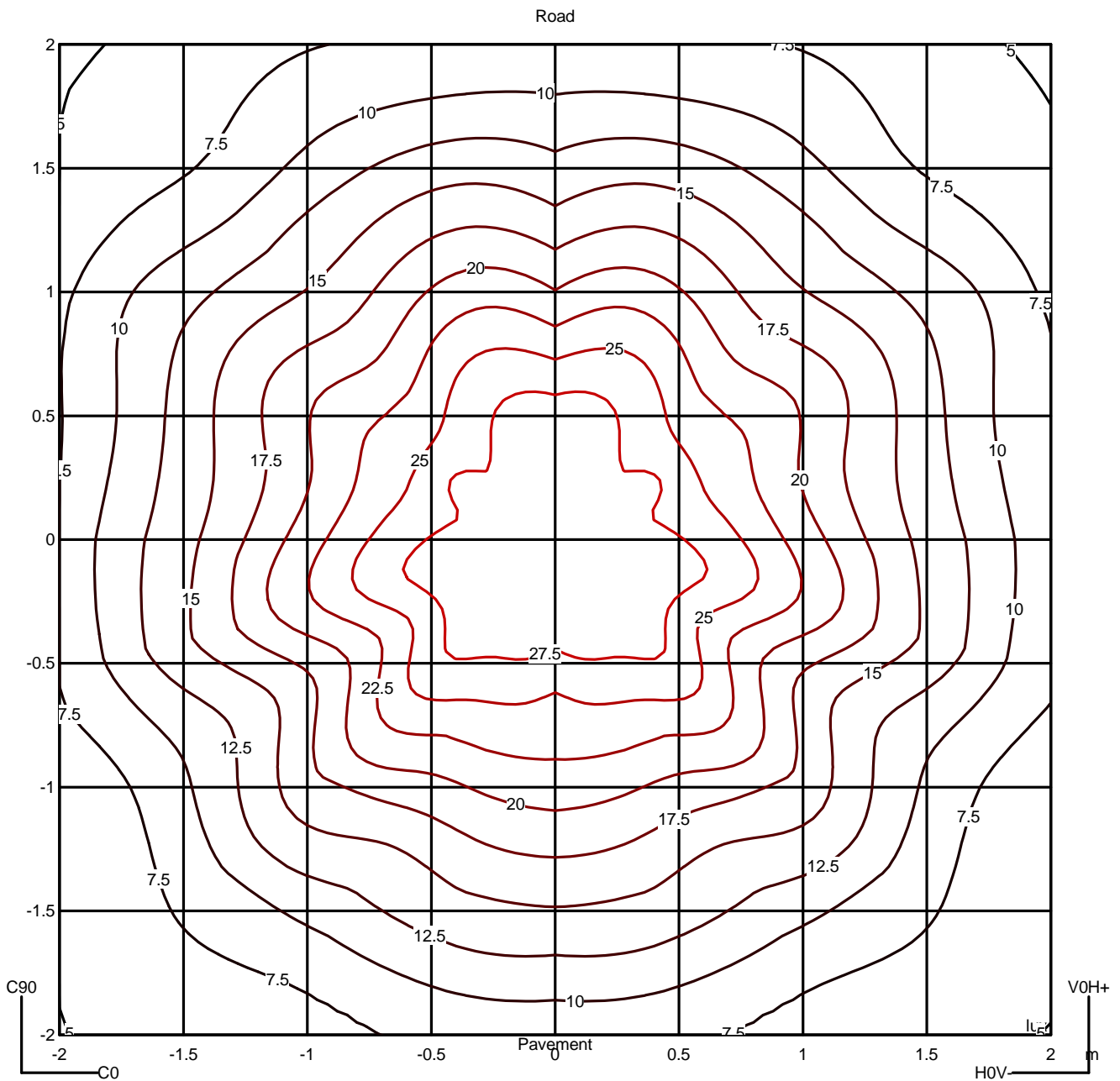
**Measurment.**

Code CL116A17F085G  
 Name Colgante TRAIN led 15.6W 2700K

|                |           |                 |               |          |               |            |                       |
|----------------|-----------|-----------------|---------------|----------|---------------|------------|-----------------------|
| Luminaire Flux | 472.86 lm | Luminaire Power | 17.26 W       | Efficacy | 27.40 lm/W    | Efficiency | 100.00%               |
| Lamps Flux     | 472.86 lm | Maximum value   | 475.68 cd/klm | Position | C=0.00 G=0.00 | CG         | Sym. on planes 270-90 |

Isolux (Floor)

Luminaire position X=0.00m Y=0.00m Z=2.50m



**Luminaire**

Code 00-5688-05-M1  
 Name Colgante TRAIN led 15.6W 2700K

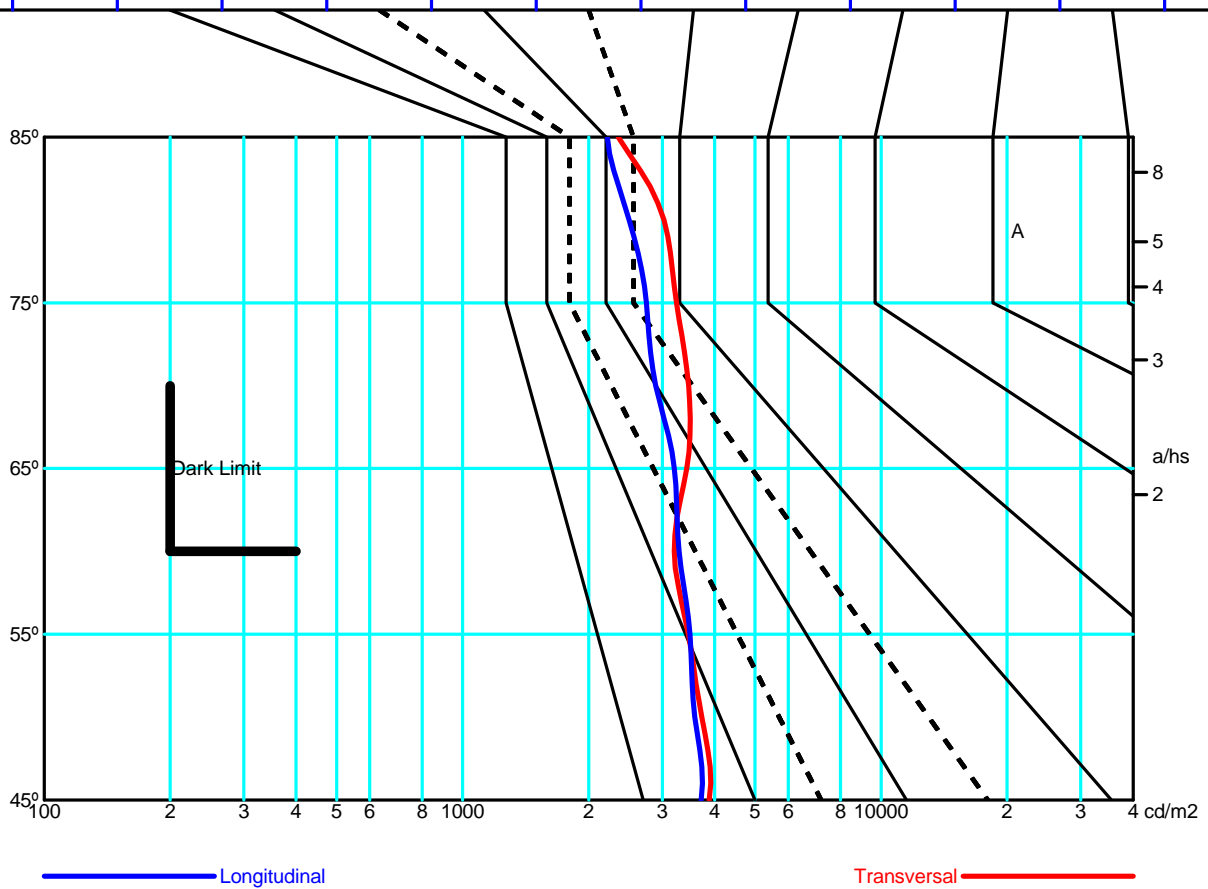
**Measurment.**

Code CL116A17F085G  
 Name Colgante TRAIN led 15.6W 2700K

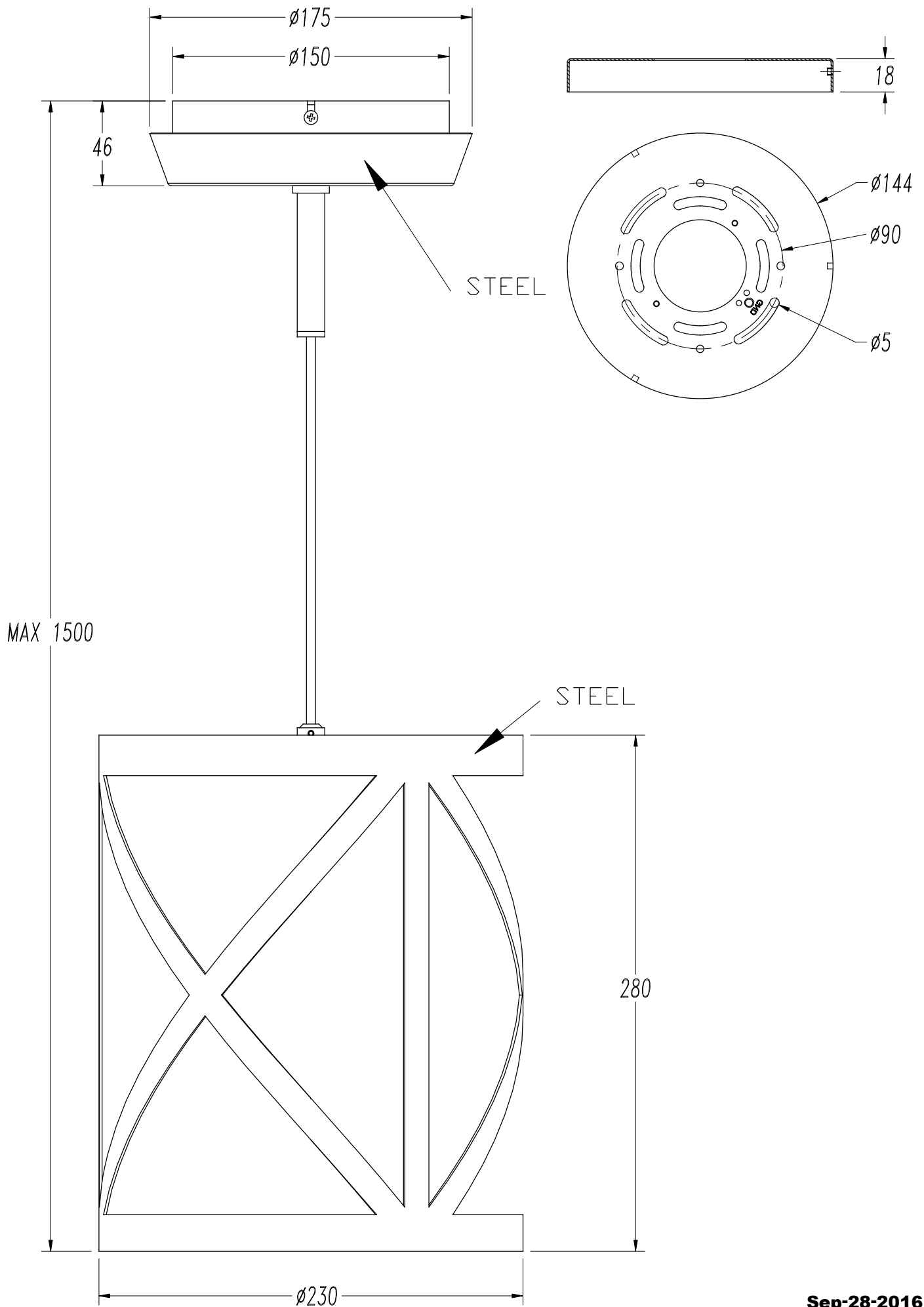
|                |           |                 |               |          |               |            |                       |
|----------------|-----------|-----------------|---------------|----------|---------------|------------|-----------------------|
| Luminaire Flux | 472.86 lm | Luminaire Power | 17.26 W       | Efficacy | 27.40 lm/W    | Efficiency | 100.00%               |
| Lamps Flux     | 472.86 lm | Maximum value   | 475.68 cd/klm | Position | C=0.00 G=0.00 | CG         | Sym. on planes 270-90 |

| Average Luminance [cd/m <sup>2</sup> ] |      |      |      |      |      |      |      |      |      |     |
|--|------|------|------|------|------|------|------|------|------|-----|
|  | 45°  | 50°  | 55°  | 60°  | 65°  | 70°  | 75°  | 80°  | 85°  |     |
| 0.0°                                   | 3886 | 3727 | 3461 | 3203 | 3432 | 3467 | 3245 | 3026 | 2353 | --- |
| 90.0°                                  | 3713 | 3590 | 3493 | 3289 | 3207 | 2894 | 2749 | 2499 | 2216 | --- |

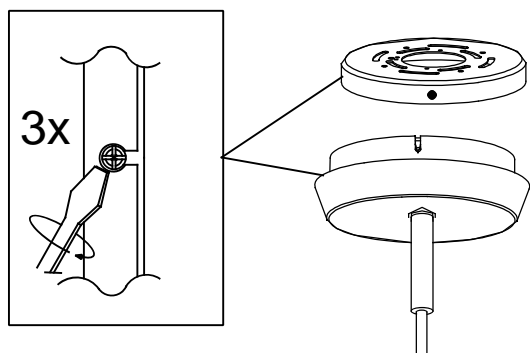
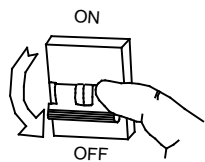
| Flush mounted or longitudinal view |   |                  |      |      |      |     |      |      |      |      |      |      |
|------------------------------------|---|------------------|------|------|------|-----|------|------|------|------|------|------|
|                                    |   | Illumination(Ix) |      |      |      |     |      |      |      |      |      |      |
| A                                  | A | 2000             | 1000 | 750  | 500  |     | <300 |      |      |      |      | 1.15 |
| B                                  | 1 |                  | 2000 | 1500 | 1000 | 750 | 500  | <300 |      |      |      | 1.5  |
| C                                  |   |                  |      |      | 2000 |     | 1000 | 500  | <300 |      |      | 1.85 |
| D                                  | 2 |                  |      |      |      |     | 2000 | 1000 | 500  | <300 |      | 2.2  |
| E                                  | 3 |                  |      |      |      |     |      | 2000 | 1000 | 500  | <300 | 2.55 |



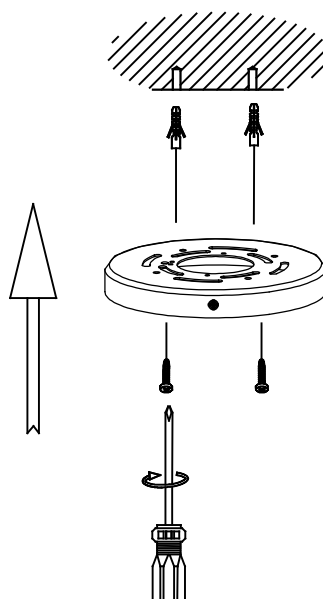




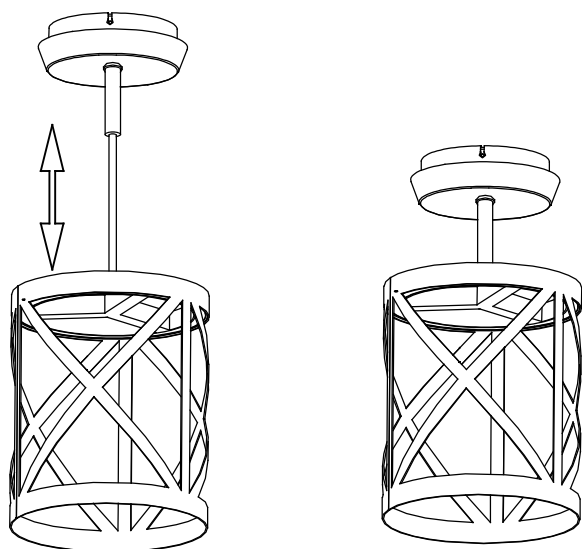
**1**



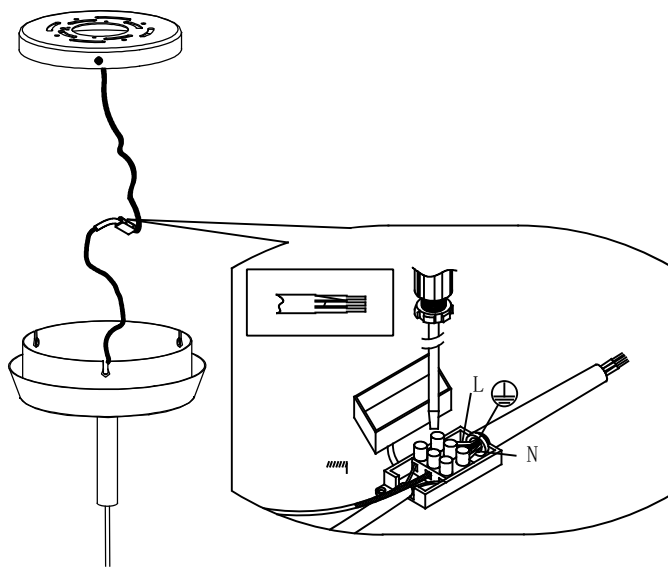
**2**



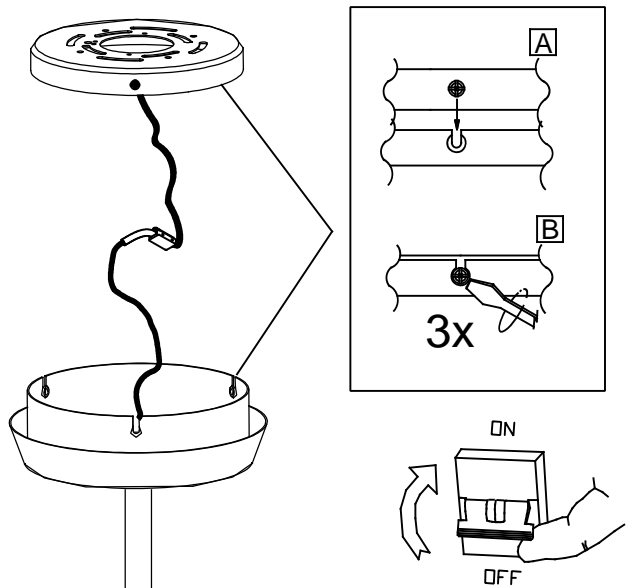
**3**



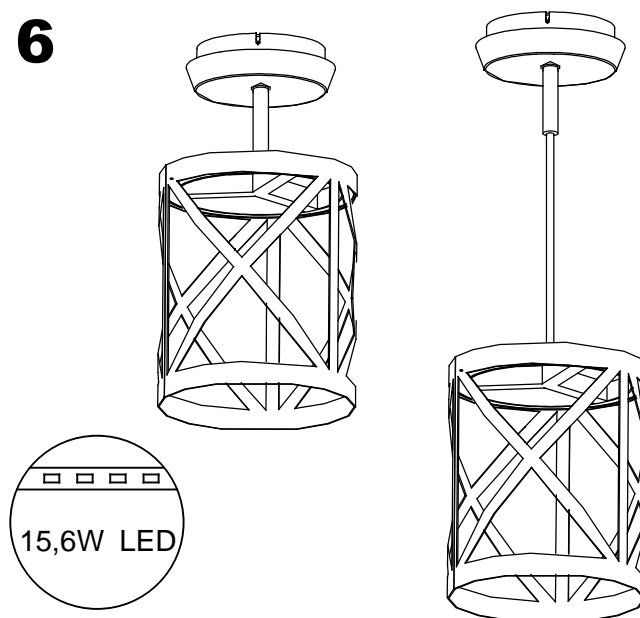
**4**



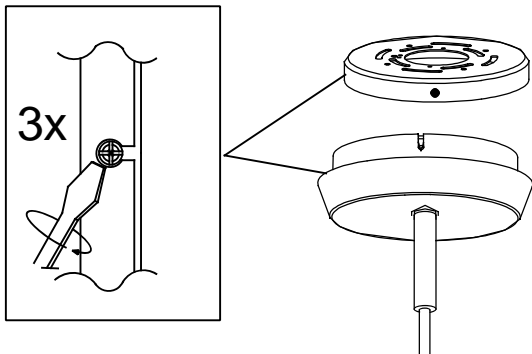
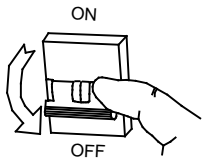
**5**



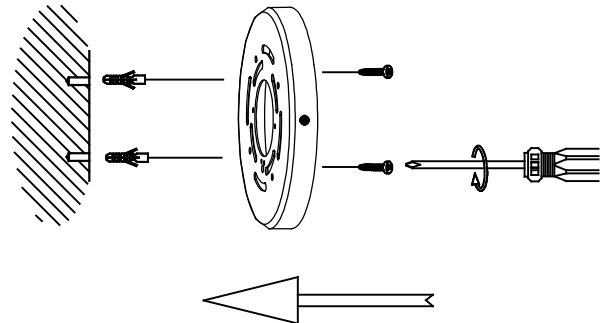
**6**



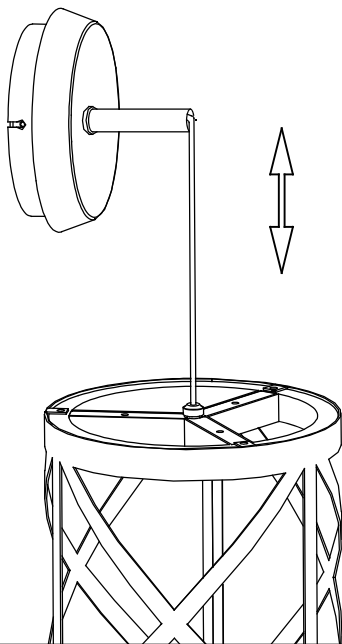
**1**



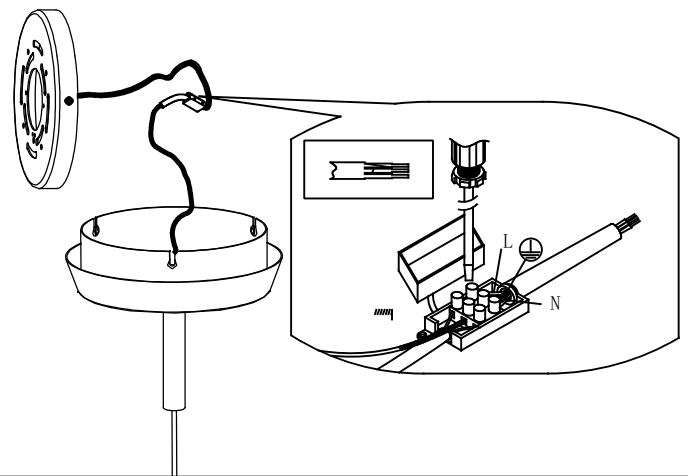
**2**



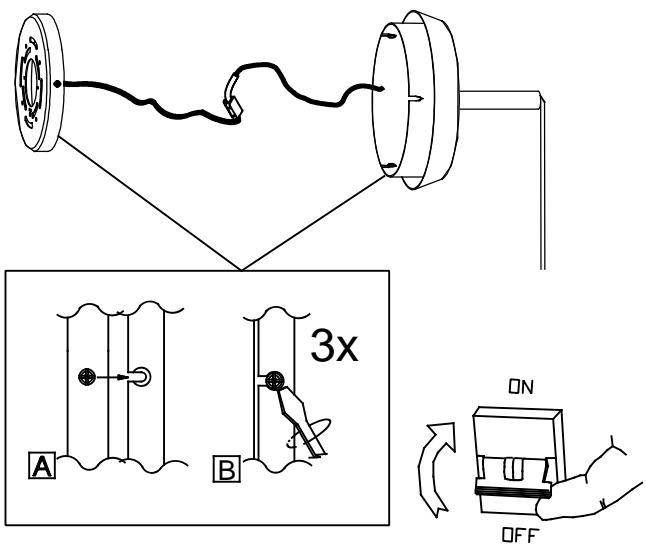
**3**



**4**



**5**



**6**

