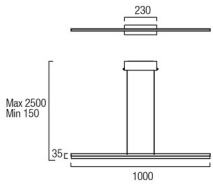


TECHNICAL FEATURES

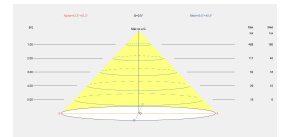
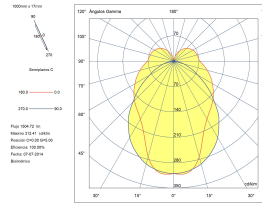


Power (W) : 18W
 Real lumens : 1505
 Real lm/W : 84
 Colour temperature : LED warm-white 3000K
 Lens / reflector angle : FLOOD 89°
 Structure material : Aluminium
 Structure finish : White
 Diffuser material : Methacrylate
 Diffuser finish : Tinted
 Useful life : 50.000h L80B20

Equipment included : Yes, electronic
 Voltage / frequency : 100-240VAC/50-60Hz
 Warranty : 2 Years
 Max. temperature : 25°C
 Energy efficiency : LED A++

LUMINOTECHNIC FEATURES

Light source: LED
 CRI: 80



LOGISTICS

Net weight (kg): 1.84
 Packaged weight (kg): 2.36







71-2241-00-00

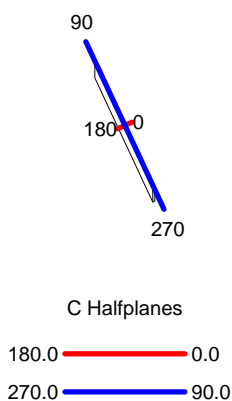
Controller with remote control

Structure material: NA
Dimensions: 60 x NA x 114
Net weight (kg): 0.18

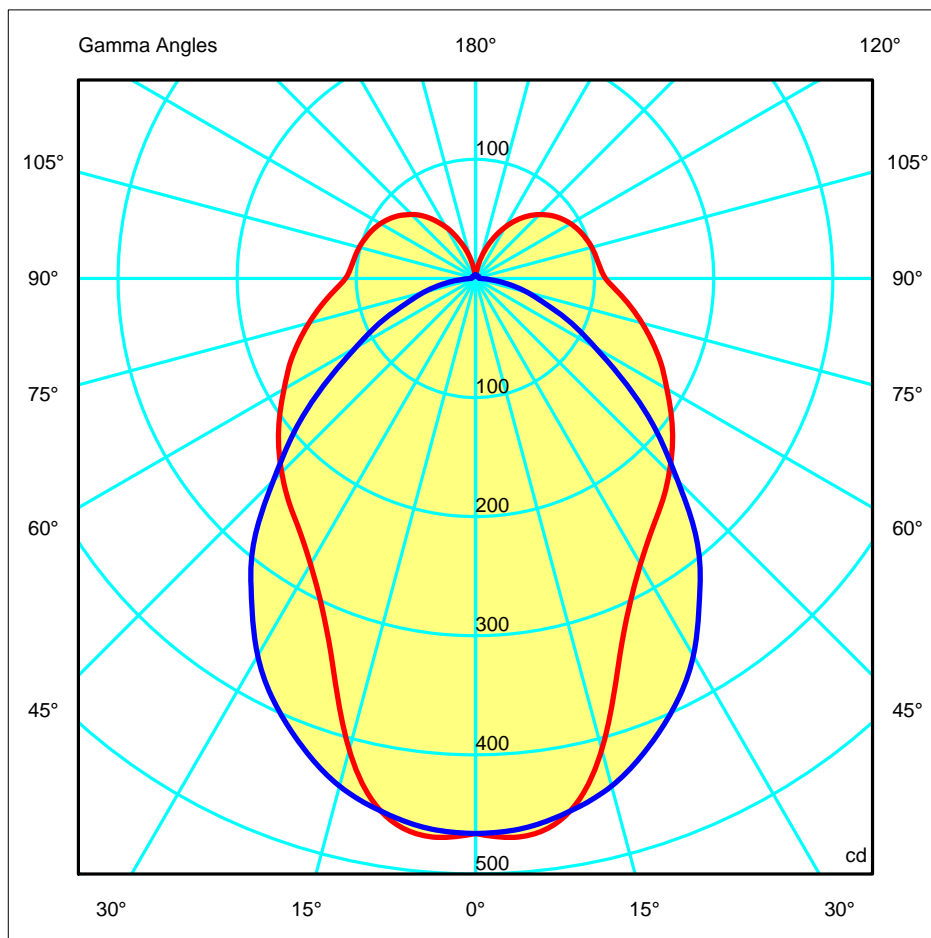
Luminaire		Measur.		Lamp		
Code	00-2934-BW-M3	Code	00-2934-BW-M3	Code	00-2934-BW-M3	
Name	Colgante CIRC 1m 18W leds opal	Name	Colgante CIRC 1m 18W leds opal	Number	1	
Line	Eulumdat	Date	07-07-2014	Position		
Efficiency	100.00%	Coordinate system	CG	Total Flux	1504.72 lm	
Maximum value	470.10 cd	Position	C=0.00 G=5.00	Double Symmetrical		
Rectangular Luminaire	Length	1000 mm	Width	17 mm	Height	26 mm
Rectangular Luminous Area	Length	1000 mm	Width	12 mm	Height	18 mm
Horizontal Luminous Area	0.012000 m2	Emitting area on Plane 180°		0.018000 m2		
Emitting area on Plane 0°	0.018000 m2	Emitting area on Plane 270°		0.000216 m2		
Emitting area on Plane 90°	0.000216 m2	Glare area at 76°		0.020368 m2		
Symmetry Type	Double Symmetrical	Maximum Gamma Angle		180		
Measurement Distance	0.00	Measurement Flux		1504.72 lm		
Operator	Asselum T2	Source voltage				
Temperature	25.00 °C	Source current				
Humidity	60.00 %	Photocell				
Notes						

Luminaire Lamps					
Line	Code	Name	Flux [lm]	Pow. [W]	Q.ty
Eulumdat	00-2934-BW-M3	00-2934-BW-M3 - 18.00 W	1504.72	18.00	1
C.I.E.	44 70 88 78 100	D DIN 5040		B31	
F UTE	0.78 E + 0.22 T	B NBN		BZ 5	

1000mm x 17mm



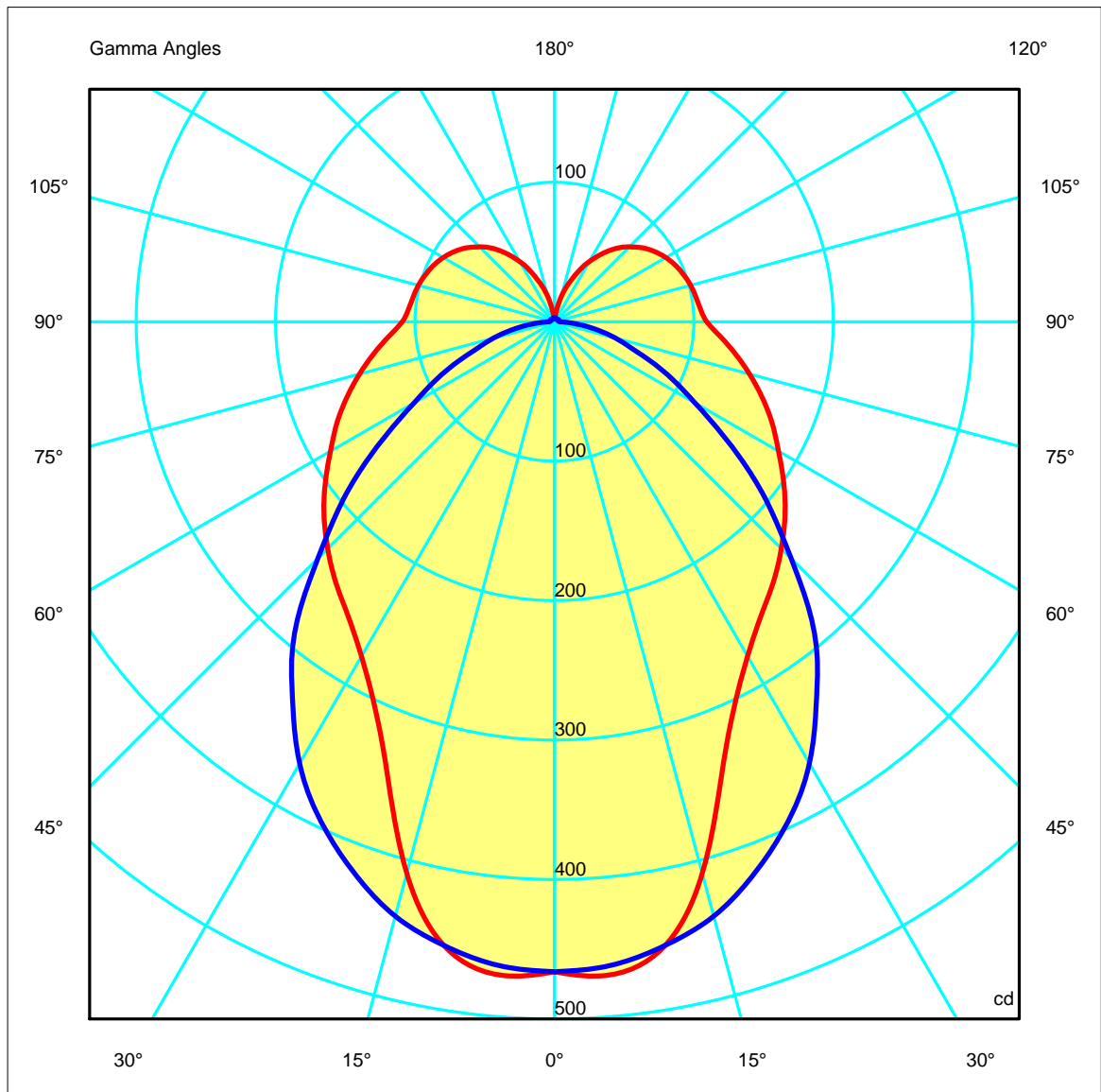
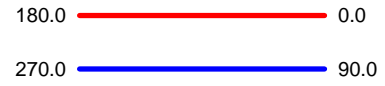
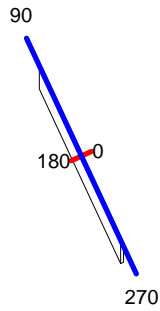
ULOR 21.96 %
DLOR 78.04 %
RN 21.96 %



Luminaire		Measur.		Lamp	
Code	00-2934-BW-M3	Code	00-2934-BW-M3	Code	00-2934-BW-M3
Name	Colgante CIRC 1m 18W leds opal	Name	Colgante CIRC 1m 18W leds opal	Number	1
Line	Eulumdat	Date	07-07-2014	Position	
Efficiency	100.00%	Coordinate system	CG	Total Flux	1504.72 lm

1000mm x 17mm

C Halfplanes



Luminaire

 Code 00-2934-BW-M3
 Name Colgante CIRC 1m 18W leds opal
 Line Eulumdat

Measur.

 Code 00-2934-BW-M3
 Name Colgante CIRC 1m 18W leds opal
 Date 07-07-2014

Lamp

 Code 00-2934-BW-M3
 Number 1
 Position

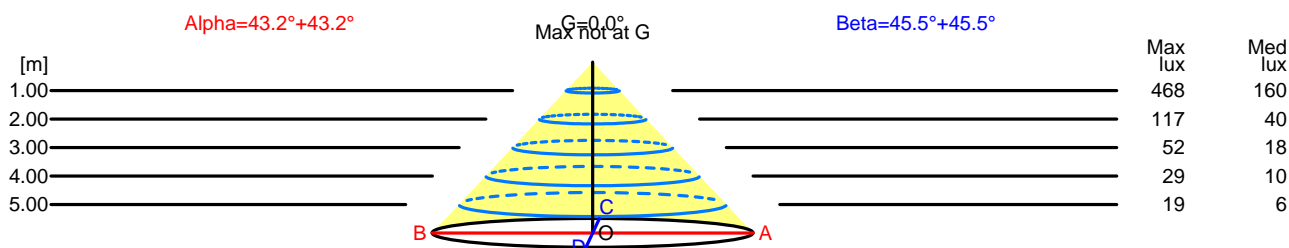
Efficiency 100.00% Coordinate system CG Total Flux 1504.72 lm

Width at 50.00 % of Max Intensity

H[m]	1.00	2.00	3.00	4.00	5.00	H[m]	1.00	2.00	3.00	4.00	5.00
OA	0.94	1.88	2.82	3.76	4.70	OC	1.02	2.04	3.06	4.07	5.09
OB	0.94	1.88	2.82	3.76	4.70	OD	1.02	2.04	3.06	4.07	5.09

Luminous Intensities [cd]

	0	5	15	25	35	45	55	65	75	85
OA	466.02	470.10	409.76	304.89	257.96	230.05	200.75	172.32	144.75	119.18
OB	466.02	470.10	409.76	304.89	257.96	230.05	200.75	172.32	144.75	119.18
OC	466.02	463.26	441.25	395.86	327.81	239.97	154.49	89.05	45.41	14.03
OD	466.02	463.26	441.25	395.86	327.81	239.97	154.49	89.05	45.41	14.03



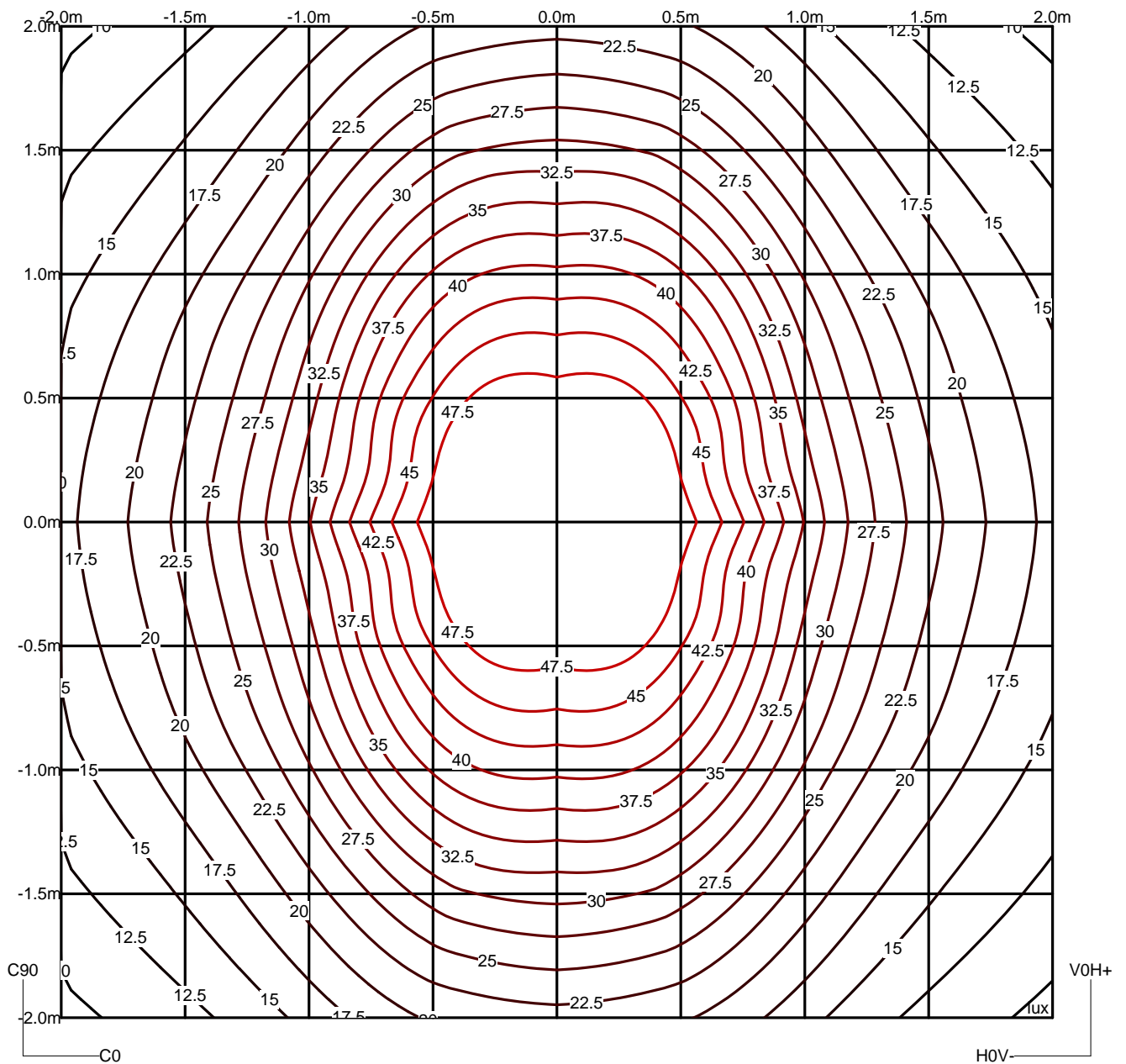
H[m]	D[m]	Max lux	Med lux	Alpha=43.2°+43.2°	G=0.0 Max not at G
1.00	1.88	468	160		
2.00	3.76	117	40		
3.00	5.63	52	18		
4.00	7.51	29	10		
5.00	9.39	19	6		

H[m]	D[m]	Max lux	Med lux	Beta=45.5°+45.5°	G=0.0 Max not at G
1.00	2.04	468	160		
2.00	4.07	117	40		
3.00	6.11	52	18		
4.00	8.15	29	10		
5.00	10.18	19	6		

Luminaire		Measur.		Lamp	
Code	00-2934-BW-M3	Code	00-2934-BW-M3	Code	00-2934-BW-M3
Name	Colgante CIRC 1m 18W leds opal	Name	Colgante CIRC 1m 18W leds opal	Number	1
Line	Eulmdat	Date	07-07-2014	Position	
Efficiency	100.00%	Coordinate system	CG	Total Flux	1504.72 lm

Isolux (Floor)

Luminaire position X=0.00m Y=0.00m Z=3.00m



Luminaire

Code 00-2934-BW-M3
 Name Colgante CIRC 1m 18W leds opal
 Line Eulumdat

Measur.

Code 00-2934-BW-M3
 Name Colgante CIRC 1m 18W leds opal
 Date 07-07-2014

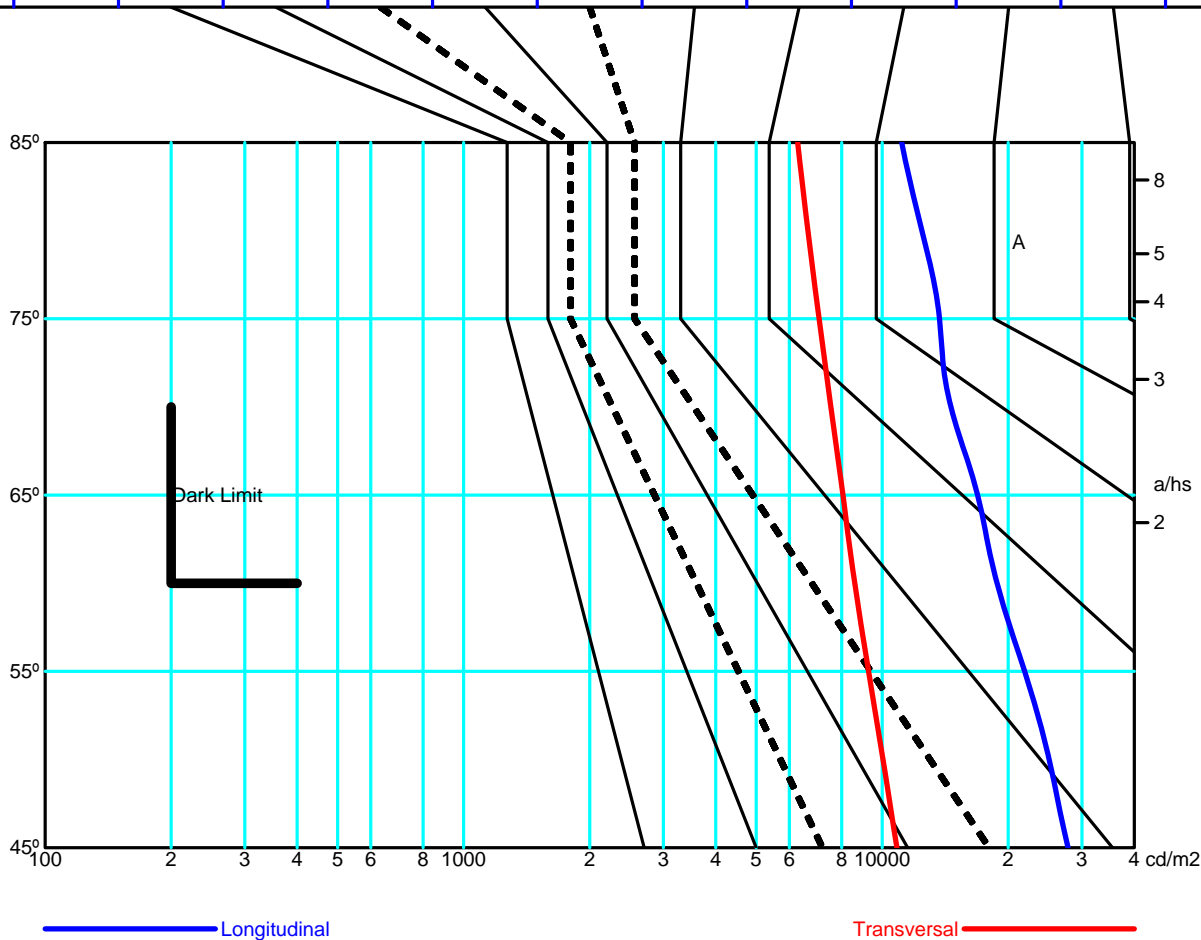
Lamp

Code 00-2934-BW-M3
 Number 1
 Position

Efficiency 100.00% Coordinate system CG Total Flux 1504.72 lm

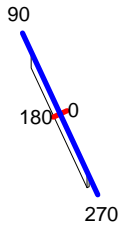
		Average Luminance [cd/m ²]										
		0.0°	45°	50°	55°	60°	65°	70°	75°	80°	85°	
0.0°		10845	10036	9282	8592	8058	7541	7064	6645	6280	---	
90.0°		27780	25055	21883	18799	16906	14577	13702	12439	11128	---	

Flush mounted or longitudinal view												
		Illumination(lx)										
A	A	2000	1000	750	500		<300					1.15
B	1		2000	1500	1000	750	500	<300				1.5
C					2000		1000	500	<300			1.85
D	2						2000	1000	500	<300		2.2
E	3							2000	1000	500	<300	2.55

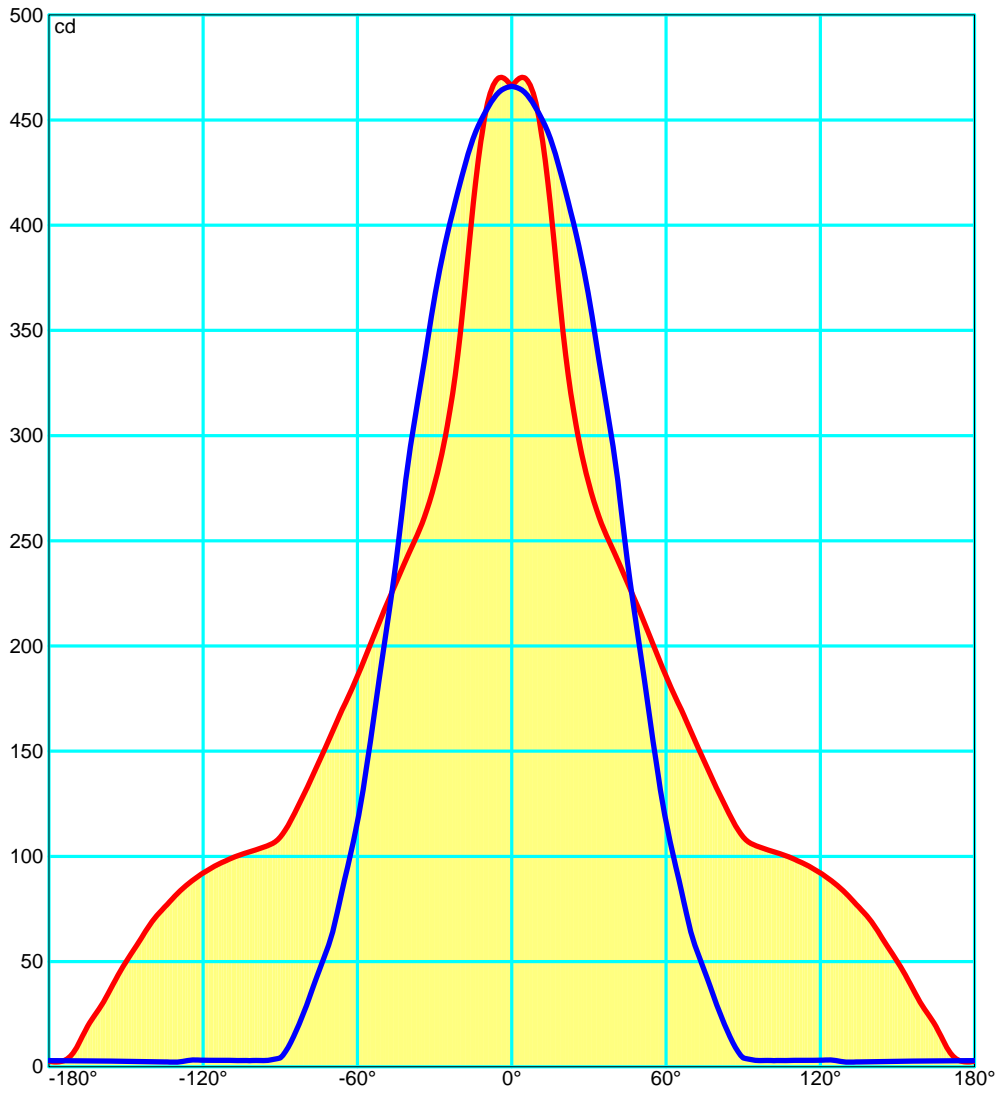


Luminaire		Measur.		Lamp	
Code	00-2934-BW-M3	Code	00-2934-BW-M3	Code	00-2934-BW-M3
Name	Colgante CIRC 1m 18W leds opal	Name	Colgante CIRC 1m 18W leds opal	Number	1
Line	Eulumdat	Date	07-07-2014	Position	
Efficiency	100.00%	Coordinate system	CG	Total Flux	1504.72 lm

1000mm x 17mm



C Halfplanes



Luminaire		Measur.		Lamp	
Code	00-2934-BW-M3	Code	00-2934-BW-M3	Code	00-2934-BW-M3
Name	Colgante CIRC 1m 18W leds opal	Name	Colgante CIRC 1m 18W leds opal	Number	1
Line	Eulumat	Date	07-07-2014	Position	
Efficiency	100.00%	Coordinate system	CG	Total Flux	1504.72 lm

UGR
S = 0.250

Reflectancies										
Ceiling/Cavity	0.7	0.7	0.5	0.5	0.3	0.7	0.7	0.5	0.5	0.3
Walls	0.5	0.3	0.5	0.3	0.3	0.5	0.3	0.5	0.3	0.3
WorkingPlane	0.2	0.2	0.2	0.2	0.2	0.2	0.2	0.2	0.2	0.2
RoomDimensions	ViewedCrosswise					ViewedEndwise				
x=2H y=2H	18.7	19.8	19.3	20.4	21.9	19.6	20.7	20.2	21.2	21.9
x=2H y=3H	20.6	21.6	21.2	22.2	23.2	20.9	21.9	21.5	22.5	23.2
x=2H y=4H	21.5	22.5	22.2	23.1	23.7	21.4	22.4	22.1	23.0	23.7
x=2H y=6H	22.4	23.3	23.1	24.0	24.2	21.9	22.8	22.5	23.4	24.2
x=2H y=8H	22.9	23.7	23.5	24.4	24.3	22.0	22.9	22.7	23.5	24.3
x=2H y=12H	23.3	24.1	24.0	24.8	24.4	22.1	23.0	22.8	23.6	24.4
x=4H y=2H	19.4	20.4	20.1	21.0	22.4	20.1	21.0	20.7	21.6	22.4
x=4H y=3H	21.5	22.3	22.2	23.0	23.9	21.6	22.4	22.3	23.1	23.9
x=4H y=4H	22.6	23.3	23.3	24.0	24.6	22.4	23.1	23.1	23.8	24.6
x=4H y=6H	23.7	24.3	24.4	25.0	25.2	23.0	23.6	23.7	24.4	25.2
x=4H y=8H	24.2	24.8	24.9	25.5	25.4	23.3	23.9	24.0	24.6	25.4
x=4H y=12H	24.7	25.3	25.5	26.0	25.6	23.4	24.0	24.2	24.7	25.6
x=8H y=4H	23.0	23.6	23.8	24.4	25.0	22.8	23.4	23.6	24.1	25.0
x=8H y=6H	24.3	24.8	25.1	25.6	25.9	23.7	24.2	24.5	25.0	25.9
x=8H y=8H	25.0	25.4	25.8	26.2	26.2	24.1	24.6	24.9	25.3	26.2
x=8H y=12H	25.7	26.1	26.4	26.8	26.5	24.4	24.8	25.2	25.6	26.5
x=12H y=4H	23.1	23.6	23.8	24.4	25.1	22.9	23.5	23.7	24.2	25.1
x=12H y=6H	24.5	24.9	25.2	25.7	26.0	23.9	24.3	24.7	25.1	26.0
x=12H y=8H	25.2	25.6	26.0	26.4	26.5	24.4	24.8	25.2	25.6	26.5

Luminaire

Code 00-2934-BW-M3
 Name Colgante CIRC 1m 18W leds opal
 Line Eulumdat

Measuram.

Code 00-2934-BW-M3
 Name Colgante CIRC 1m 18W leds opal
 Date 07-07-2014

Lamp

Code 00-2934-BW-M3
 Number 1
 Position

Efficiency 100.00% Coordinate system CG Total Flux 1504.72 lm

Total Flux=1504.72 Luminaire Flux=1504.72

RI	0.60	0.80	1.00	1.25	1.50	2.00	2.50	3.00	4.00	5.00	10.00	20.00
DRR	0.29	0.37	0.43	0.49	0.54	0.62	0.68	0.72	0.77	0.80	0.88	0.93
RC	5	5	6	6	6	6	6	6	7	7	7	7

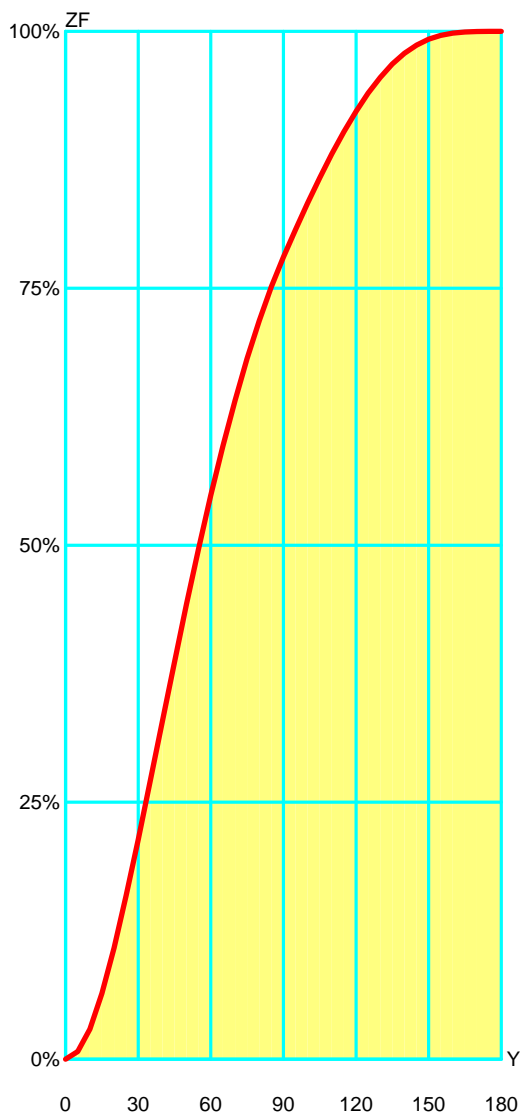
Zonal Flux per 1000 Lumen

Y°	10	20	30	40	50	60	70	80	90	100	110	120	130	140	150	160	170	180
ZF(Y)	29	108	214	329	443	549	641	718	780	833	881	922	955	979	992	998	1000	1000

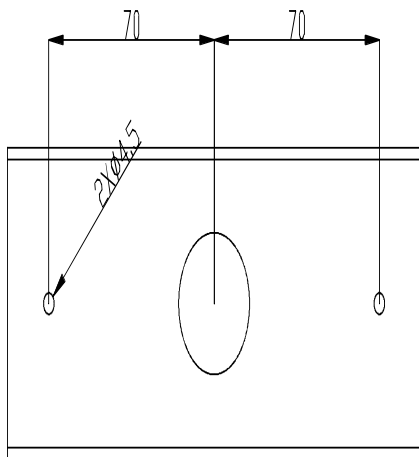
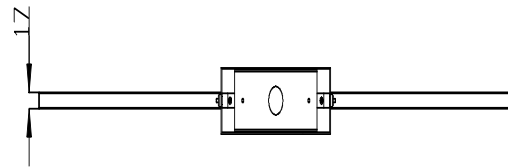
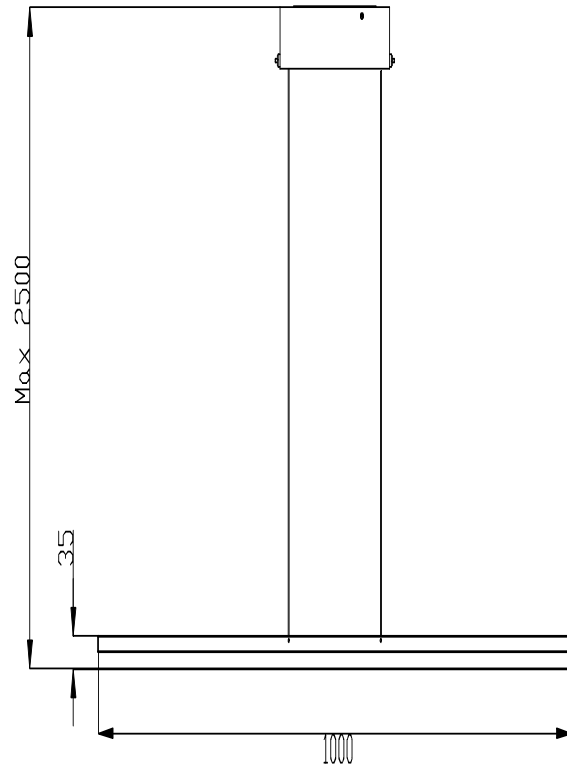
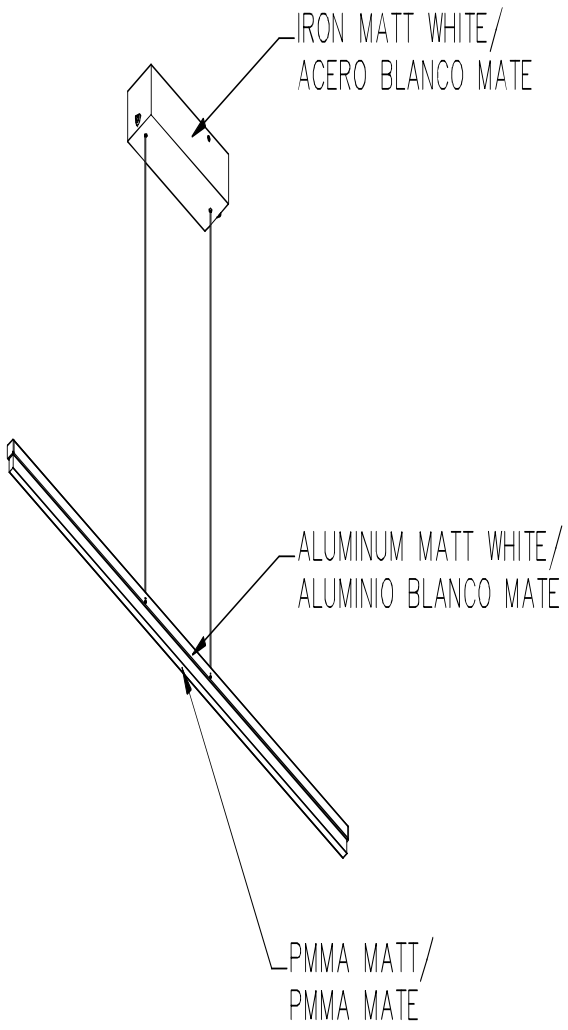
CIE Flux Codes

44 70 88 78 100

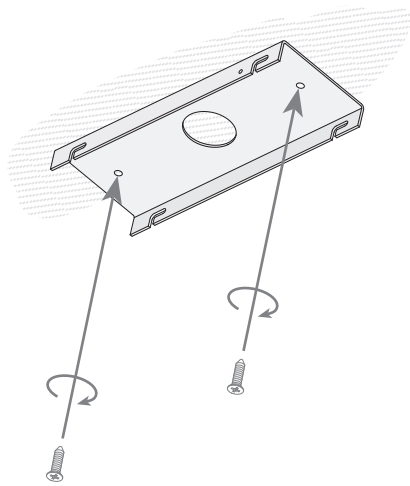
C.I.E.	5/5/6/6/6/6/6/7/7/7/7	LOR	100.00000 %
D DIN 5040	B31	ULOR	21.96260 %
F UTE	0.78 E + 0.22 T	DLOR	78.03740 %
B NBN	BZ 5	UFF	21.96260 %
RN	21.96260 %	DFF	78.03740 %
BLF	1.0	FFR	28.14368 %



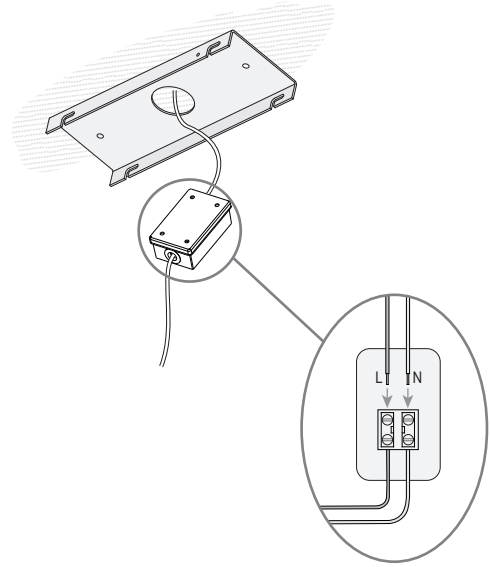
Zonal Flux				
Gamma °	Flux	Sum lm	Flux [%]	Sum [%]
0°	0.00	0.00	0.00%	0.00 %
5°	7.41	7.41	0.74 %	0.74 %
10°	21.93	29.34	2.19 %	2.93 %
15°	34.68	64.02	3.47 %	6.40 %
20°	44.26	108.28	4.43 %	10.83 %
25°	50.66	158.94	5.07 %	15.89 %
30°	54.70	213.64	5.47 %	21.36 %
35°	57.09	270.73	5.71 %	27.07 %
40°	58.13	328.86	5.81 %	32.89 %
45°	57.84	386.70	5.78 %	38.67 %
50°	56.45	443.15	5.64 %	44.32 %
55°	54.15	497.30	5.42 %	49.73 %
60°	51.24	548.55	5.12 %	54.85 %
65°	47.95	596.49	4.79 %	59.65 %
70°	44.43	640.92	4.44 %	64.09 %
75°	40.71	681.63	4.07 %	68.16 %
80°	36.80	718.43	3.68 %	71.84 %
85°	32.82	751.25	3.28 %	75.13 %
90°	29.12	780.37	2.91 %	78.04 %
95°	26.82	807.20	2.68 %	80.72 %
100°	25.71	832.91	2.57 %	83.29 %
105°	24.59	857.50	2.46 %	85.75 %
110°	23.23	880.73	2.32 %	88.07 %
115°	21.61	902.34	2.16 %	90.23 %
120°	19.76	922.10	1.98 %	92.21 %
125°	17.68	939.78	1.77 %	93.98 %
130°	15.40	955.18	1.54 %	95.52 %
135°	12.97	968.15	1.30 %	96.81 %
140°	10.43	978.58	1.04 %	97.86 %
145°	7.96	986.54	0.80 %	98.65 %
150°	5.71	992.25	0.57 %	99.22 %
155°	3.77	996.01	0.38 %	99.60 %
160°	2.23	998.24	0.22 %	99.82 %
165°	1.12	999.36	0.11 %	99.94 %
170°	0.44	999.80	0.04 %	99.98 %
175°	0.15	999.96	0.02 %	100.00 %
180°	0.04	1000.00	0.00 %	100.00 %



1

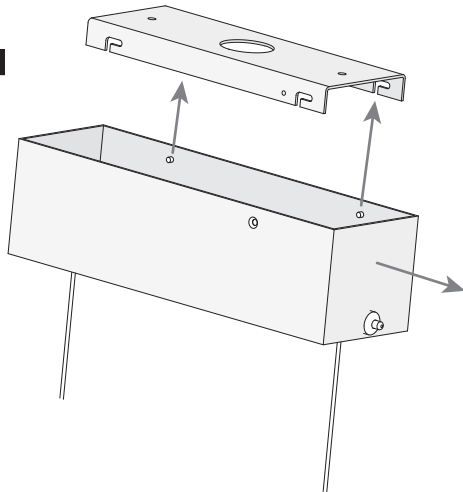


2

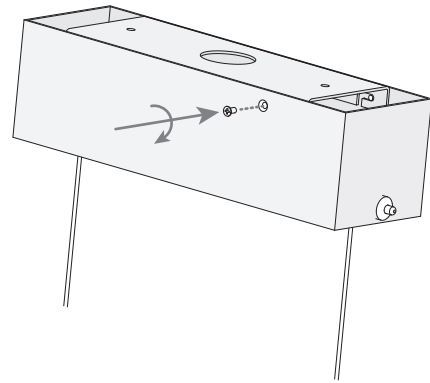


3

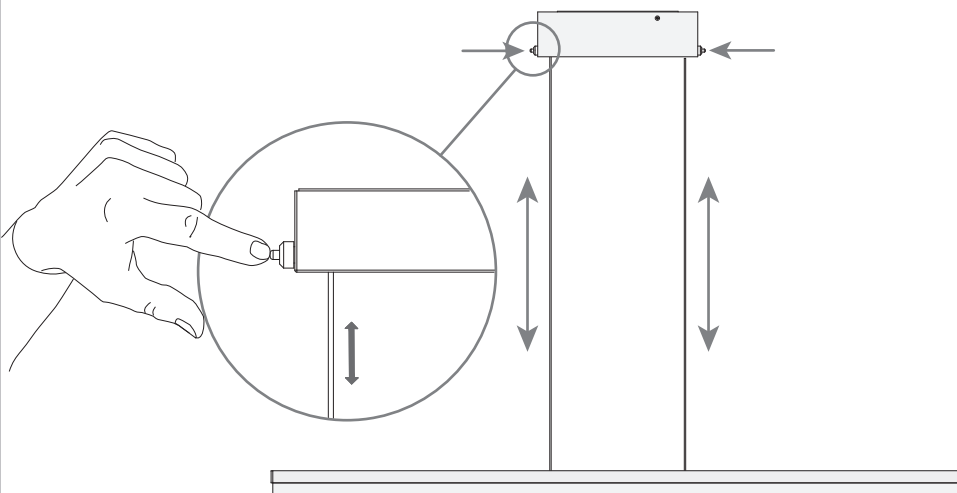
3.1



3.2



4



5

