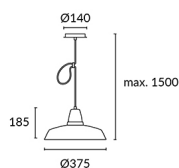


VINTAGE Pendant



Description

Light from a collection for indoor use.

For downlighting. Design by C. Santolaria and Alex & Manel Llusca. Vintage/industrial design. Highly customisable: accessories, finishes... High durability for intensive use. Structure material: Steel. Structure finish: Off-white, Chrome. Warranty: 2 Years.11Product net weight (Kg): 1.3651Product length (mm): Ø3751Product height (mm): Max 150011Class I. Glow wire test: 850. IP: IP20. E27. Maximum length of luminaire bulb: 140.000. Maximum diameter of luminaire bulb: 80.000. No. of lampholders or LEDs: 1. Maximum power of light source: 100W. UGR: 17.1. Real flux (lm): 836. Lm/Real W: 8. Total power: 100. Power factor: 1.00.

Finish
Off-white
Chrome

Material
Steel



TECHNICAL CHARACTERISTICS

Light source
Lampholder: 1 x E27
Output (W): 100W
Total power consumption (W): 100
Lamp maximum dimension: 140/80 mm
Real Lumen: 836
Quantity: 1
Lm/Real W: 8
UGR: 17.1

GEAR
Voltage / Frequency:
220-240V/50-60Hz
Power Factor: 1.00

Luminaire
Warranty: 2 Years

Logistics
Energy Efficiency: NO BULB
EAN Code: 8435381404802
Net Weight (Kg): 1.365
Weight in Kg (packaged): 2.730
Packing: 440 x 440 x 290
Masterbox: 3

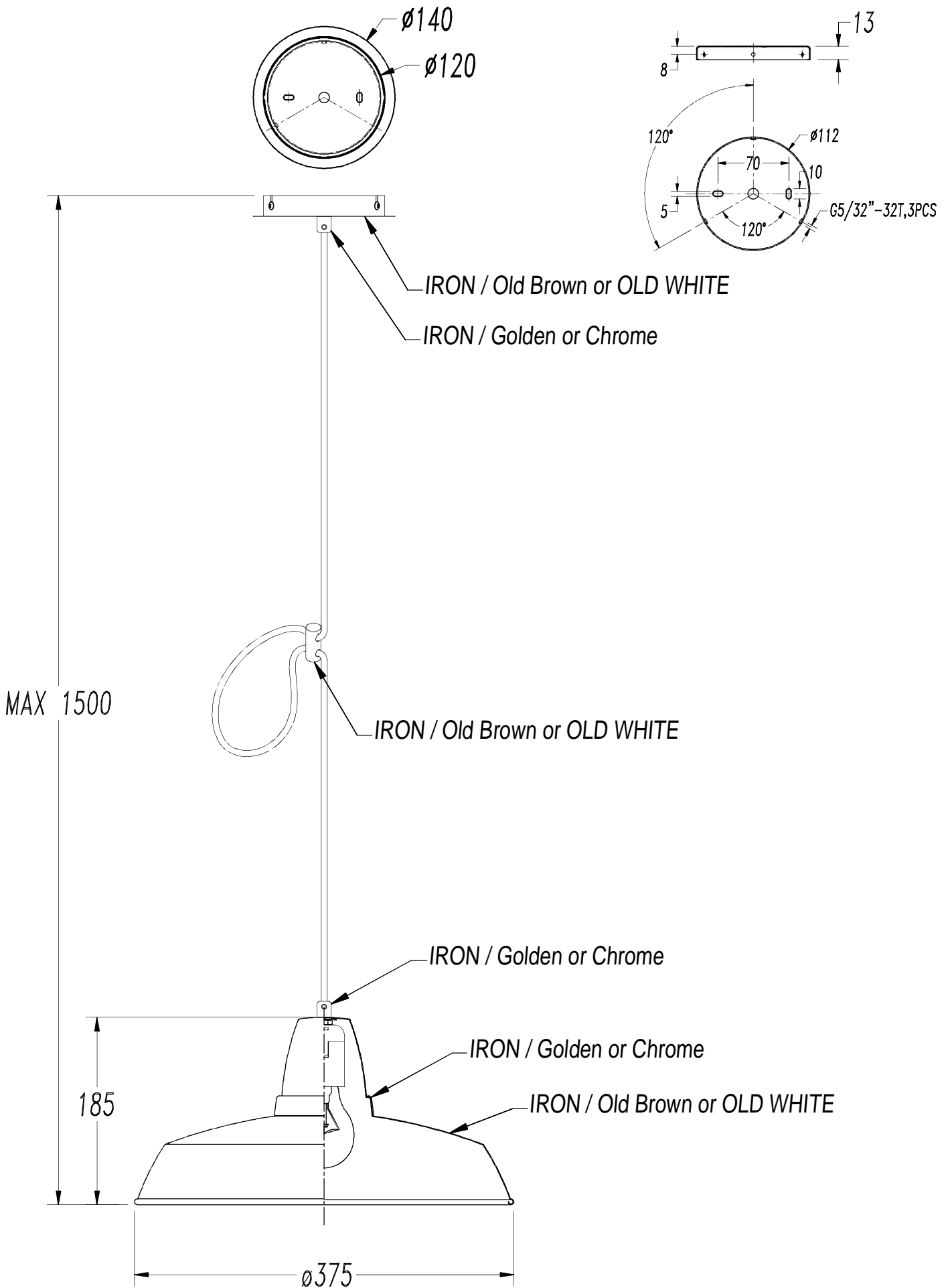
The photograph may not match the reference exactly. Please read the product description to identify the finish.

OPTIONAL ACCESSORIES

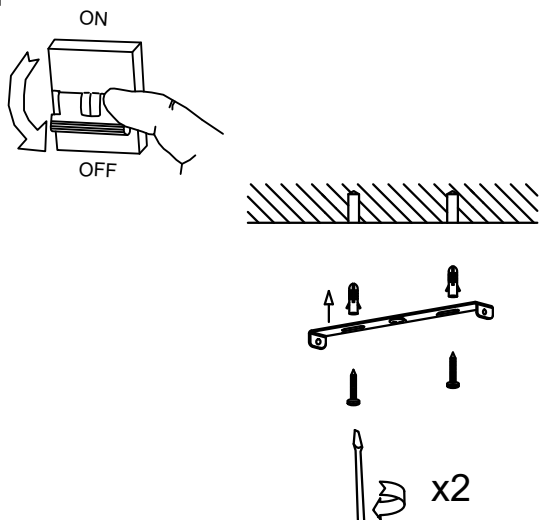


71-1799-14-14

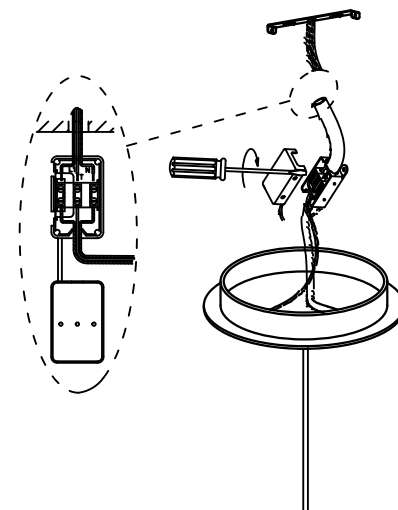
Structure material: Aluminium
Dimensions: 85 x 146 x 51
Net Weight (Kg): 0.095



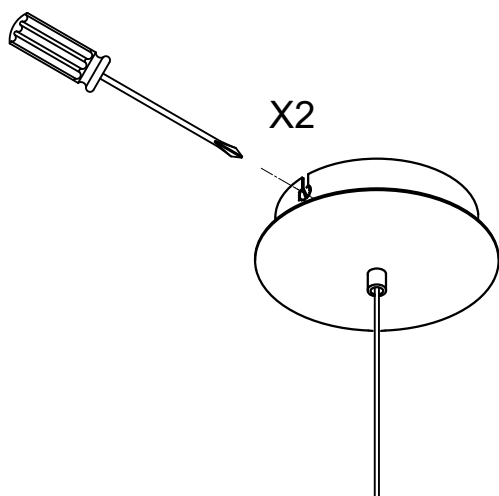
1



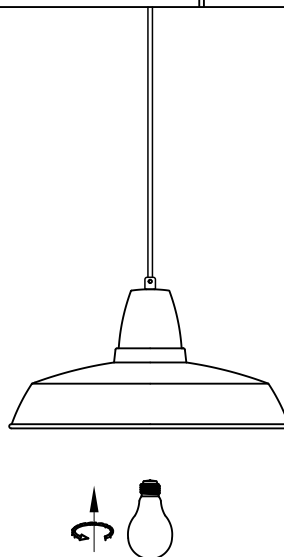
2



3



4



5

