

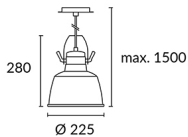
LEDS C4

VINTAGE

Carlos Santolaria & Manel Llusà

00-0240-21-16

Pendant VINTAGE E27 60W Chrome 183lm



TECHNICAL FEATURES

IP20



Power (W) : Max. power 60W

Total power consumption of light (W) : 60W

Real lumens : 183

Real lm/W : 3

Structure material : Steel

Structure finish : Chrome

Max. size of light bulb : 175/85 mm

Recommended light bulb : E27

Voltage / frequency : 100-240VAC/50-60Hz

Warranty : 2 Years

Max. temperature : 25°C

Energy efficiency : Light bulb not included

LUMINOTECHNIC FEATURES

Lampholder: 1 x E27

LOGISTICS

Net weight (kg): 1.26

Packaged weight (kg): 1.73

Packaging: 255mm x 255mm x 290mm



4 Un





71-0240-14-14

White canopy installation accessory

Structure material: Aluminium

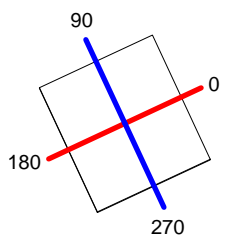
Dimensions: 85 x 146 x 51

Net weight (kg): 0.1

Luminaire		Measur.		Lamp		
Code	00-0240	Code	00-0240	Code	INCANDESCENT	
Name	PENDANT LAMP	Name	PENDANT LAMP	Number	1	
Line	Eulumdat	Date	16-11-2013	Position		
Efficiency	33.33%	Coordinate system	CG	Total Flux	550.00 lm	
Maximum value	109.34 cd	Position	C=0.00 G=8.00	Asymmetrical		
Rectangular Luminaire	Length	220 mm	Width	200 mm	Height	1 mm
Rectangular Luminous Area	Length	220 mm	Width	200 mm	Height	0 mm
Horizontal Luminous Area	0.044000 m2	Emitting area on Plane 180°		0.000000 m2		
Emitting area on Plane 0°	0.000000 m2	Emitting area on Plane 270°		0.000000 m2		
Emitting area on Plane 90°	0.000000 m2	Glare area at 76°		0.010645 m2		
Symmetry Type	Asymmetrical	Maximum Gamma Angle		90		
Measurement Distance	0.00	Measurement Flux		550.00 lm		
Operator		Source voltage				
Temperature	25.00 °C	Source current				
Humidity	60.00 %	Photocell				
Notes						

Line		Code		Luminaire Lamps		Flux [lm]	Pow. [W]	Q.ty
Eulumdat		INCANDESCENT		Name		550.00	56.70	1
				INCANDESCENT - 56.70 W				
C.I.E.	67 94 99 100 33			D DIN 5040	A50			
F UTE	0.33 C			B NBN	BZ 2			

220mm x 200mm



C Halfplanes

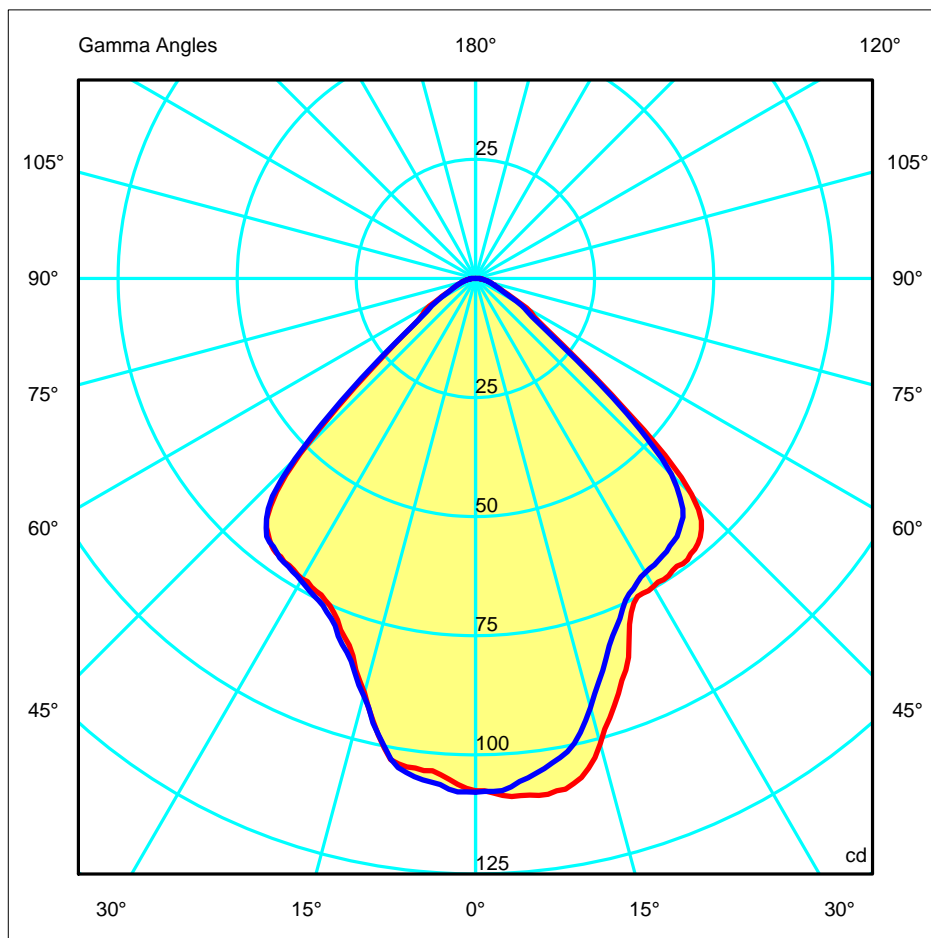
180.0 — 0.0

270.0 — 90.0

ULOR 0.00 %

DLOR 33.33 %

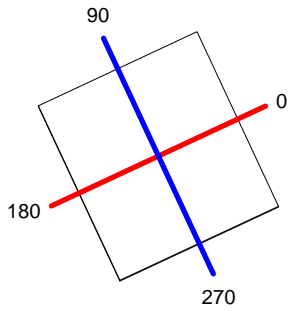
RN 0.00 %



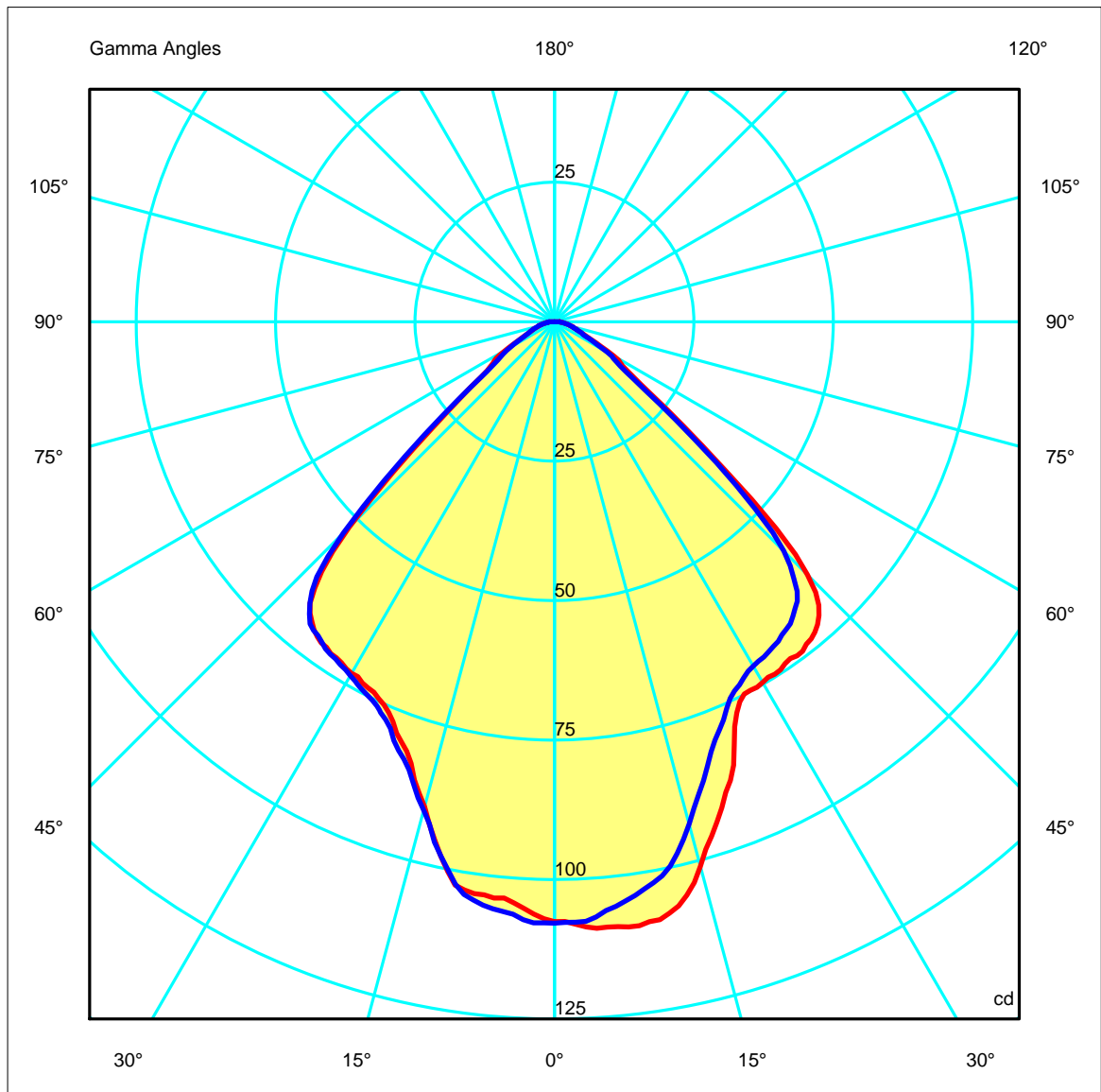
Luminaire		Measur.		Lamp	
Code	00-0240	Code	00-0240	Code	INCANDESCENT
Name	PENDANT LAMP	Name	PENDANT LAMP	Number	1
Line	Eulumdat	Date	16-11-2013	Position	
Efficiency	33.33%	Coordinate system	CG	Total Flux	550.00 lm

220mm x 200mm

C Halfplanes



180.0 ————— 0.0
 270.0 ————— 90.0



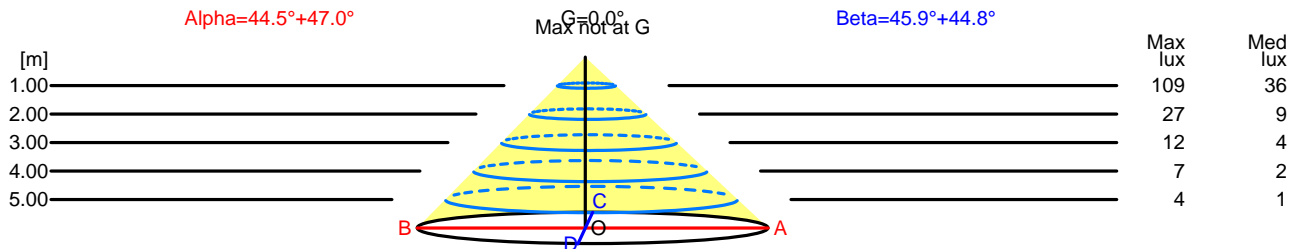
Luminaire		Measur.		Lamp	
Code	00-0240	Code	00-0240	Code	INCANDESCENT
Name	PENDANT LAMP	Name	PENDANT LAMP	Number	1
Line	Eulumdat	Date	16-11-2013	Position	
Efficiency	33.33%	Coordinate system	CG	Total Flux	550.00 lm

Width at 50.00 % of Max Intensity

H[m]	1.00	2.00	3.00	4.00	5.00	H[m]	1.00	2.00	3.00	4.00	5.00
OA	1.07	2.14	3.21	4.28	5.35	OC	1.03	2.07	3.10	4.13	5.17
OB	0.98	1.97	2.95	3.93	4.91	OD	0.99	1.98	2.98	3.97	4.96

Luminous Intensities [cd]

	0	5	15	25	35	45	55	65	75	85
OA	107.53	108.93	101.08	77.34	73.71	64.14	17.28	6.52	3.33	1.42
OB	107.53	103.71	90.00	74.57	71.25	52.10	14.11	5.64	2.81	1.42
OC	107.81	105.96	93.23	74.52	69.94	58.14	15.64	6.05	3.03	1.22
OD	107.81	106.12	90.63	75.74	71.59	53.57	13.24	5.69	3.05	1.36



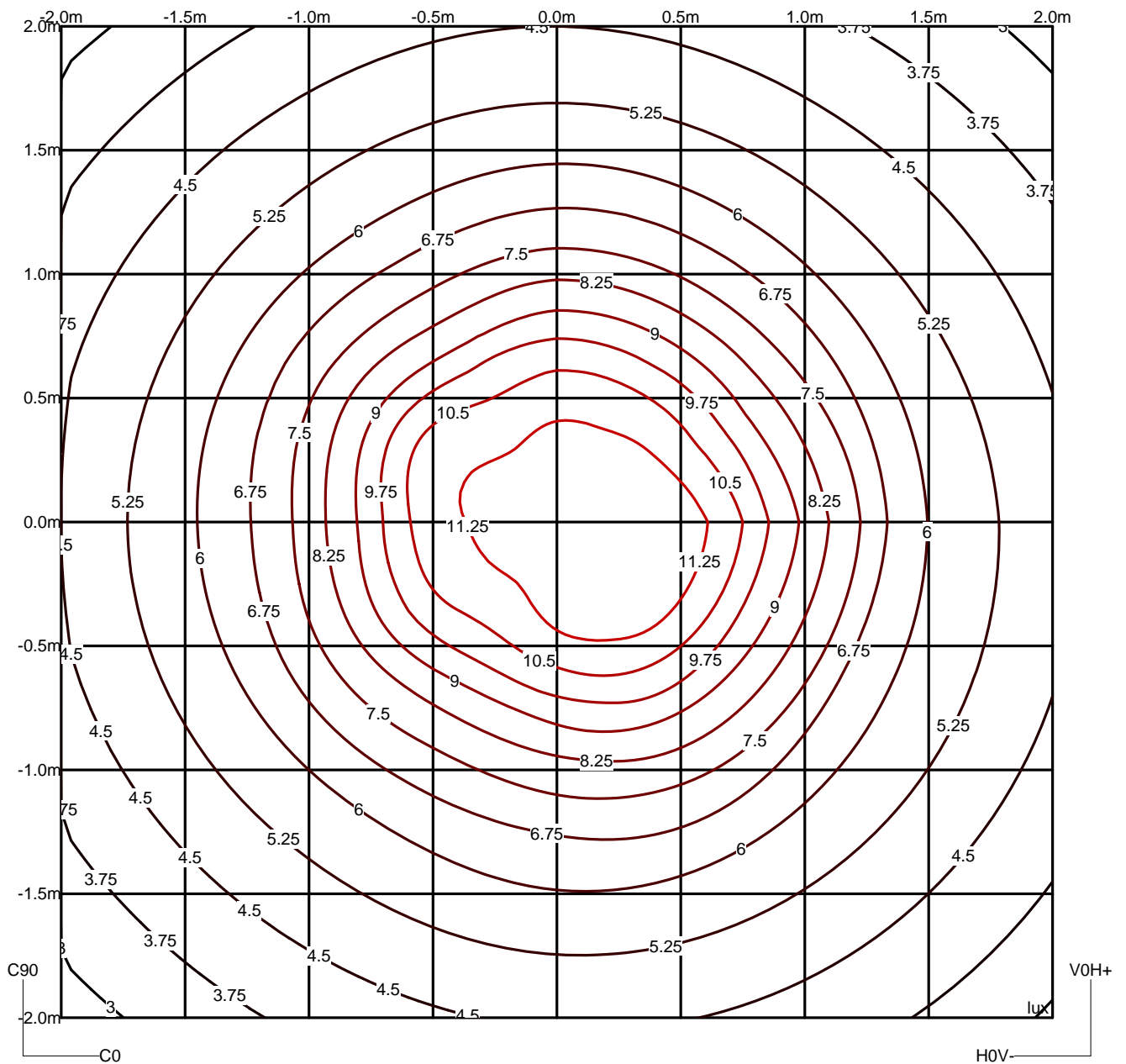
H[m]	D[m]	Max lux	Med lux	Alpha=44.5°+47.0°	G=0,0 Max not at G	
1.00	2.05	109	36			
2.00	4.11	27	9			
3.00	6.16	12	4			
4.00	8.21	7	2			
5.00	10.27	4	1			

H[m]	D[m]	Max lux	Med lux	Beta=44.8°+45.9°	G=0,0 Max not at G	
1.00	2.03	109	36			
2.00	4.05	27	9			
3.00	6.08	12	4			
4.00	8.10	7	2			
5.00	10.13	4	1			

Luminaire		Measur.		Lamp	
Code	00-0240	Code	00-0240	Code	INCANDESCENT
Name	PENDANT LAMP	Name	PENDANT LAMP	Number	1
Line	Eulumdat	Date	16-11-2013	Position	
Efficiency	33.33%	Coordinate system	CG	Total Flux	550.00 lm

Isolux (Floor)

Luminaire position X=0.00m Y=0.00m Z=3.00m

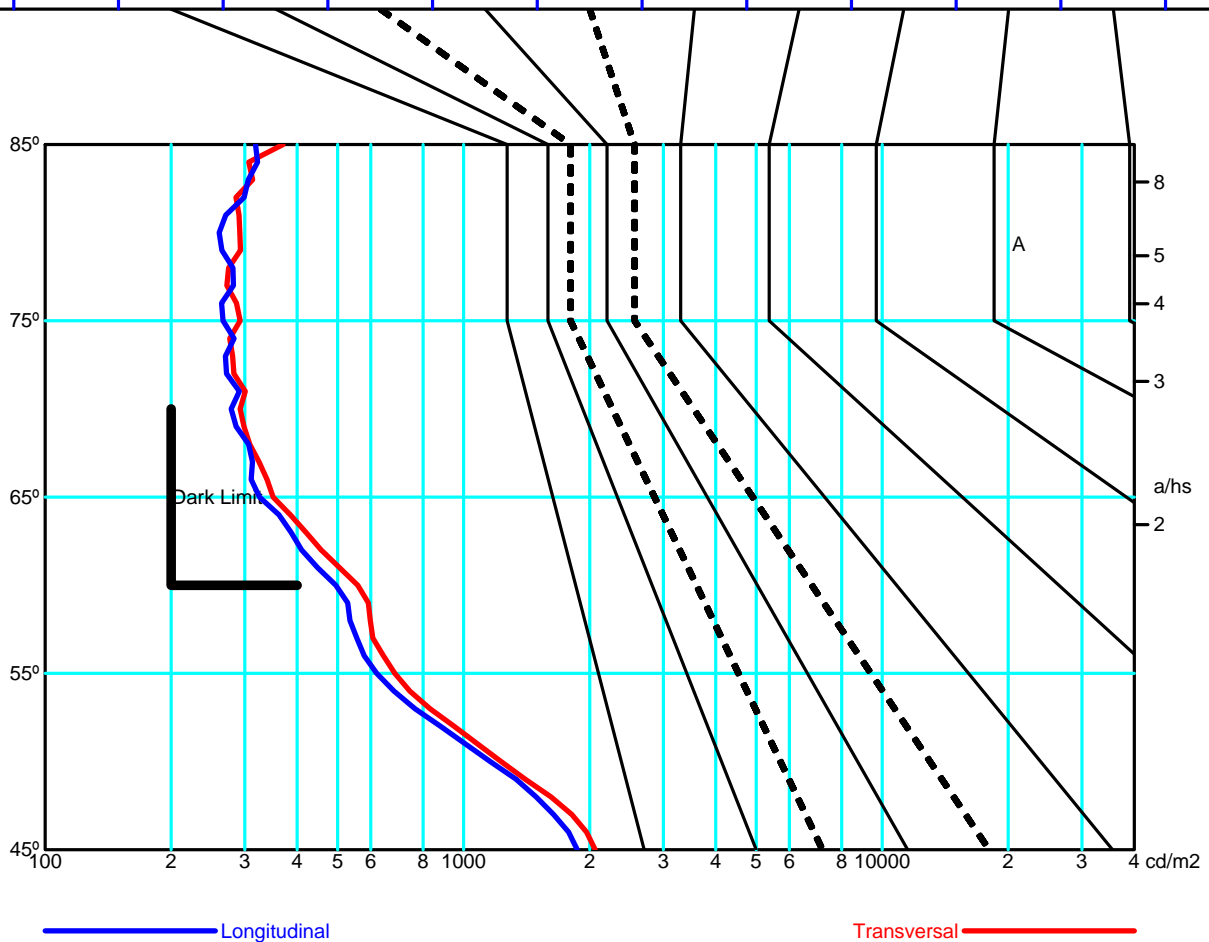


Luminaire	Measur.	Lamp
Code 00-0240	Code 00-0240	Code INCANDESCENT
Name PENDANT LAMP	Name PENDANT LAMP	Number 1
Line Eulumdat	Date 16-11-2013	Position

Efficiency 33.33%	Coordinate system CG	Total Flux 550.00 lm
-------------------	----------------------	----------------------

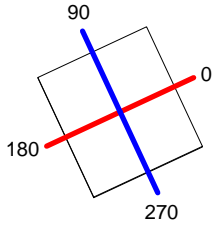
Average Luminance [cd/m ²]											
	0.0°	45°	50°	55°	60°	65°	70°	75°	80°	85°	
	1869	2062	1228	685	559	351	292	292	292	370	---
		1869	1157	620	495	325	278	266	260	318	---

Flush mounted or longitudinal view												
		Illumination(lx)										
A	A	2000	1000	750	500		<300					1.15
B	1		2000	1500	1000	750	500	<300				1.5
C					2000		1000	500	<300			1.85
D	2						2000	1000	500	<300		2.2
E	3							2000	1000	500	<300	2.55



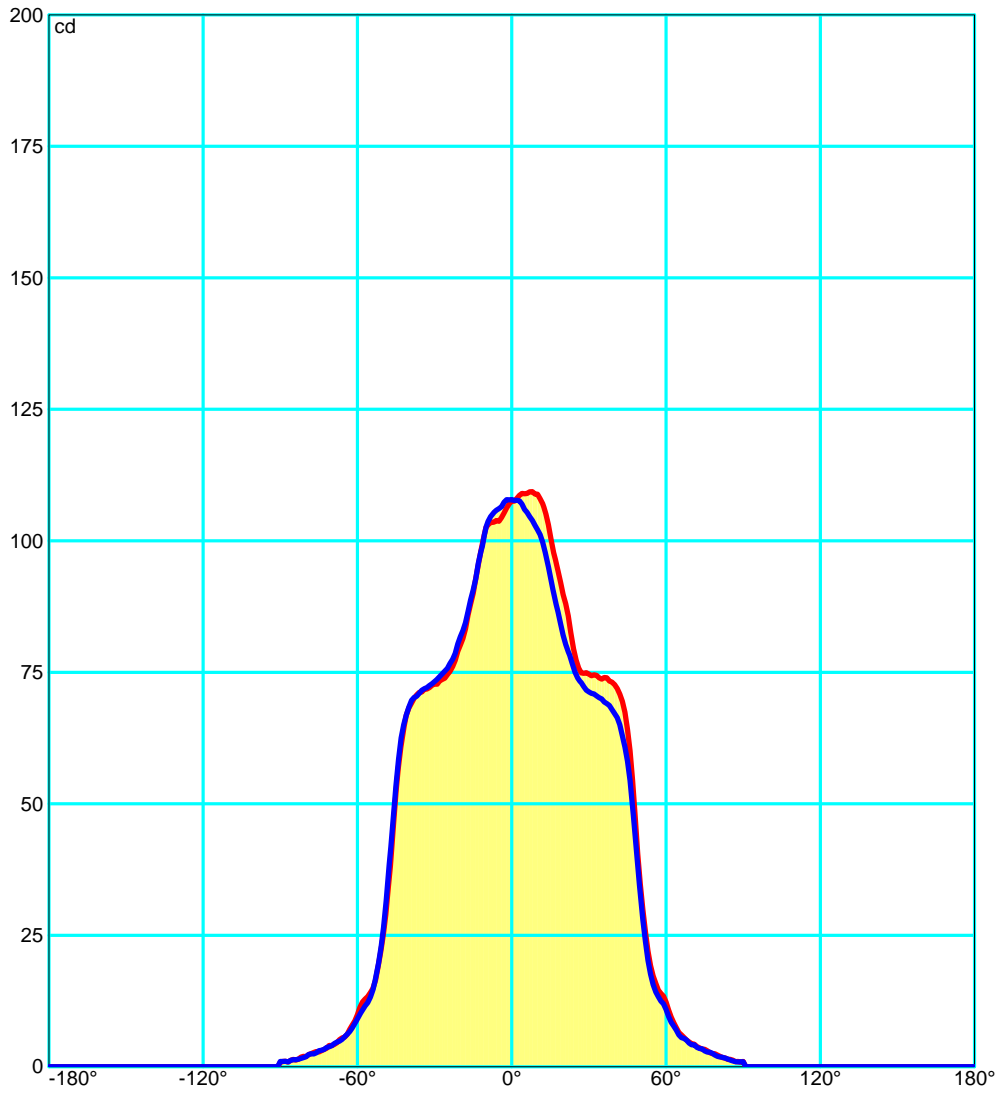
Luminaire		Measur.		Lamp	
Code	00-0240	Code	00-0240	Code	INCANDESCENT
Name	PENDANT LAMP	Name	PENDANT LAMP	Number	1
Line	Eulumdat	Date	16-11-2013	Position	
Efficiency	33.33%	Coordinate system	CG	Total Flux	550.00 lm

220mm x 200mm



C Halfplanes

180.0 ——— 0.0
 270.0 ——— 90.0



Luminaire		Measur.		Lamp	
Code	00-0240	Code	00-0240	Code	INCANDESCENT
Name	PENDANT LAMP	Name	PENDANT LAMP	Number	1
Line	Eulumdat	Date	16-11-2013	Position	
Efficiency	33.33%	Coordinate system	CG	Total Flux	550.00 lm

UGR
S = 0.250

Reflectancies										
Ceiling/Cavity	0.7	0.7	0.5	0.5	0.3	0.7	0.7	0.5	0.5	0.3
Walls	0.5	0.3	0.5	0.3	0.3	0.5	0.3	0.5	0.3	0.3
WorkingPlane	0.2	0.2	0.2	0.2	0.2	0.2	0.2	0.2	0.2	0.2
RoomDimensions	ViewedCrosswise					ViewedEndwise				
x=2H y=2H	10.9	12.0	11.2	12.2	12.3	10.9	11.9	11.2	12.2	12.3
x=2H y=3H	11.1	12.0	11.4	12.2	12.4	11.0	11.9	11.3	12.2	12.4
x=2H y=4H	11.1	12.0	11.5	12.3	12.6	11.1	12.0	11.4	12.3	12.6
x=2H y=6H	11.2	12.0	11.6	12.3	12.6	11.2	12.0	11.5	12.3	12.6
x=2H y=8H	11.3	12.0	11.6	12.3	12.6	11.2	12.0	11.6	12.3	12.6
x=2H y=12H	11.3	12.1	11.7	12.4	12.7	11.3	12.0	11.6	12.3	12.7
x=4H y=2H	10.9	11.8	11.3	12.1	12.4	10.9	11.8	11.3	12.1	12.4
x=4H y=3H	11.2	11.9	11.6	12.3	12.6	11.1	11.9	11.5	12.2	12.6
x=4H y=4H	11.3	12.0	11.7	12.3	12.6	11.3	11.9	11.7	12.3	12.6
x=4H y=6H	11.5	12.1	11.9	12.4	12.8	11.5	12.1	11.9	12.4	12.8
x=4H y=8H	11.6	12.1	12.1	12.5	12.9	11.6	12.1	12.0	12.5	12.9
x=4H y=12H	11.7	12.2	12.2	12.6	13.0	11.7	12.1	12.1	12.5	13.0
x=8H y=4H	11.4	11.9	11.8	12.3	12.7	11.3	11.9	11.8	12.3	12.7
x=8H y=6H	11.7	12.1	12.1	12.5	12.9	11.6	12.0	12.1	12.4	12.9
x=8H y=8H	11.8	12.2	12.3	12.6	13.0	11.8	12.1	12.3	12.6	13.0
x=8H y=12H	12.0	12.3	12.5	12.7	13.2	11.9	12.3	12.4	12.7	13.2
x=12H y=4H	11.4	11.8	11.8	12.2	12.6	11.3	11.8	11.8	12.2	12.6
x=12H y=6H	11.7	12.0	12.2	12.5	12.9	11.6	12.0	12.1	12.5	12.9
x=12H y=8H	11.9	12.2	12.3	12.6	13.1	11.8	12.1	12.3	12.6	13.1

Luminaire	Measur.	Lamp
Code 00-0240	Code 00-0240	Code INCANDESCENT
Name PENDANT LAMP	Name PENDANT LAMP	Number 1
Line Eulumdat	Date 16-11-2013	Position

Efficiency 33.33% Coordinate system CG Total Flux 550.00 lm

Total Flux=550.00 Luminaire Flux=183.29

RI	0.60	0.80	1.00	1.25	1.50	2.00	2.50	3.00	4.00	5.00	10.00	20.00
DRR	0.45	0.53	0.61	0.68	0.72	0.80	0.84	0.87	0.90	0.92	0.95	0.97
RC	3	2	2	2	2	2	2	2	2	2	2	3

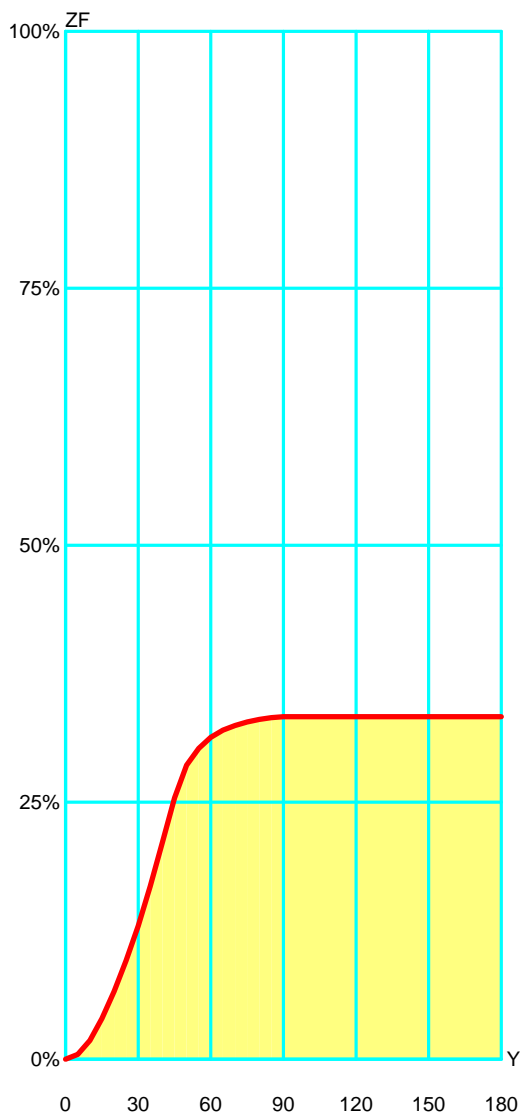
Zonal Flux per 1000 Lumen

Y°	10	20	30	40	50	60	70	80	90	100	110	120	130	140	150	160	170	180
ZF(Y)	18	66	130	211	286	313	325	331	333	333	333	333	333	333	333	333	333	333

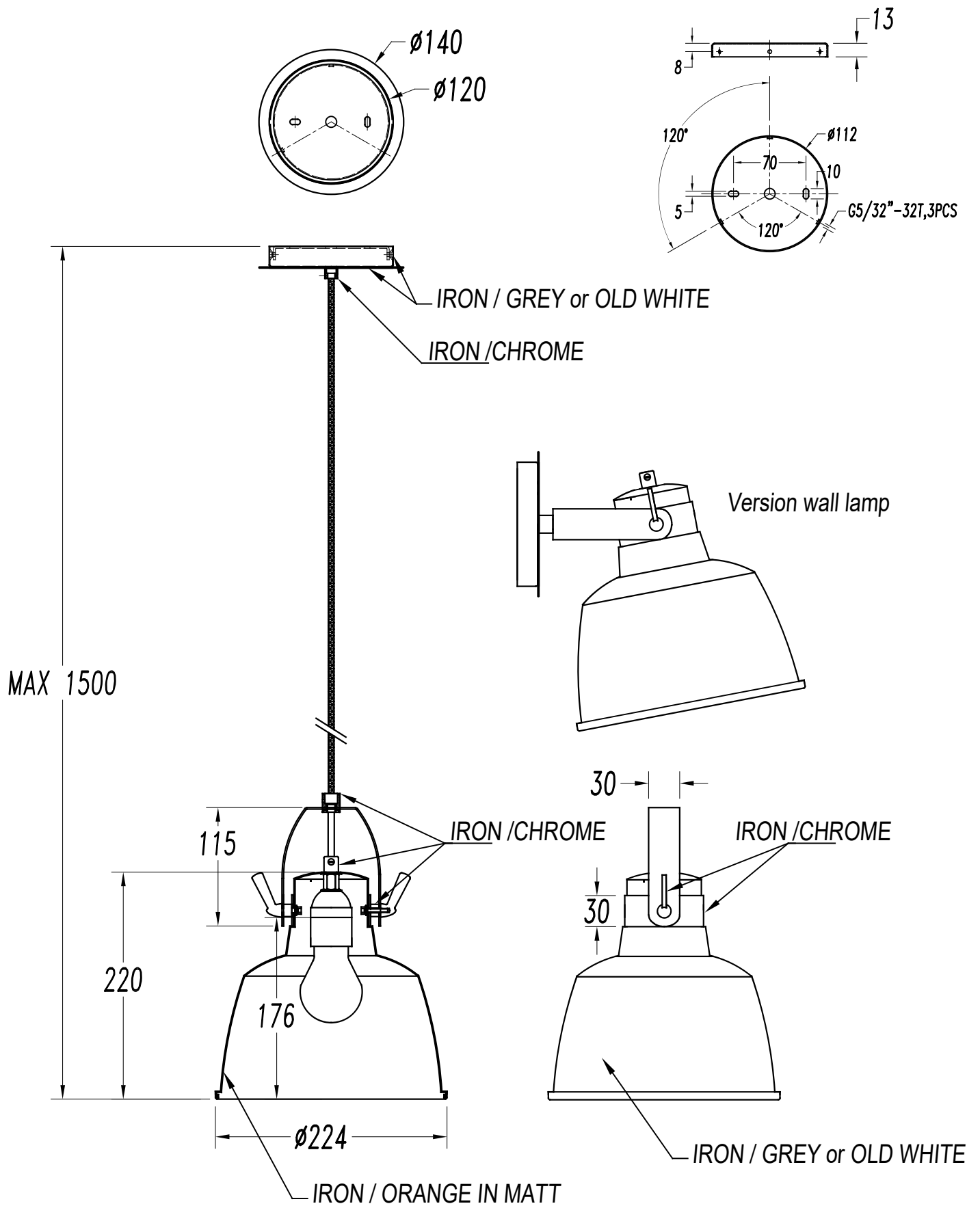
CIE Flux Codes

67 94 99 100 33

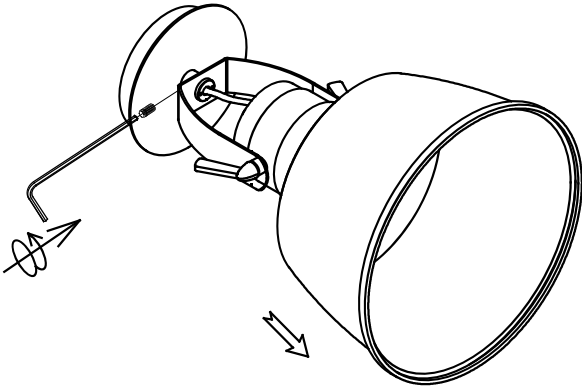
C.I.E.	3/2/2/2/2/2/2/2/2/3	LOR	33.32540 %
D DIN 5040	A50	ULOR	0.00000 %
F UTE	0.33 C	DLOR	33.32540 %
B NBN	BZ 2	UFF	0.00000 %
RN	0.00000 %	DFF	100.00000 %
BLF	1.0	FFR	0.00000 %



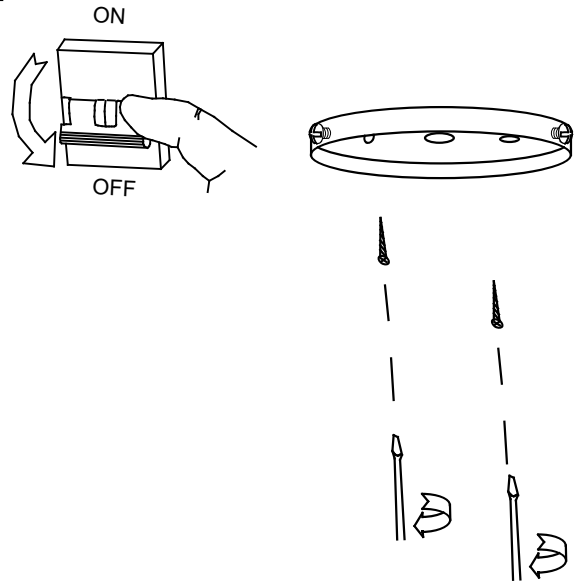
Zonal Flux				
Gamma °	Flux	Sum lm	Flux [%]	Sum [%]
0°	0.00	0.00	0.00%	0.00 %
5°	4.63	4.63	1.39 %	1.39 %
10°	13.63	18.26	4.09 %	5.48 %
15°	21.28	39.54	6.39 %	11.87 %
20°	26.28	65.82	7.89 %	19.75 %
25°	30.05	95.87	9.02 %	28.77 %
30°	33.84	129.71	10.15 %	38.92 %
35°	38.56	168.27	11.57 %	50.49 %
40°	42.77	211.04	12.83 %	63.33 %
45°	43.32	254.35	13.00 %	76.32 %
50°	31.62	285.97	9.49 %	85.81 %
55°	16.46	302.42	4.94 %	90.75 %
60°	10.65	313.07	3.19 %	93.94 %
65°	7.03	320.10	2.11 %	96.05 %
70°	4.62	324.72	1.39 %	97.44 %
75°	3.43	328.15	1.03 %	98.47 %
80°	2.48	330.62	0.74 %	99.21 %
85°	1.61	332.24	0.48 %	99.69 %
90°	1.02	333.25	0.31 %	100.00 %
95°	0.00	333.25	0.00 %	100.00 %
100°	0.00	333.25	0.00 %	100.00 %
105°	0.00	333.25	0.00 %	100.00 %
110°	0.00	333.25	0.00 %	100.00 %
115°	0.00	333.25	0.00 %	100.00 %
120°	0.00	333.25	0.00 %	100.00 %
125°	0.00	333.25	0.00 %	100.00 %
130°	0.00	333.25	0.00 %	100.00 %
135°	0.00	333.25	0.00 %	100.00 %
140°	0.00	333.25	0.00 %	100.00 %
145°	0.00	333.25	0.00 %	100.00 %
150°	0.00	333.25	0.00 %	100.00 %
155°	0.00	333.25	0.00 %	100.00 %
160°	0.00	333.25	0.00 %	100.00 %
165°	0.00	333.25	0.00 %	100.00 %
170°	0.00	333.25	0.00 %	100.00 %
175°	0.00	333.25	0.00 %	100.00 %
180°	0.00	333.25	0.00 %	100.00 %



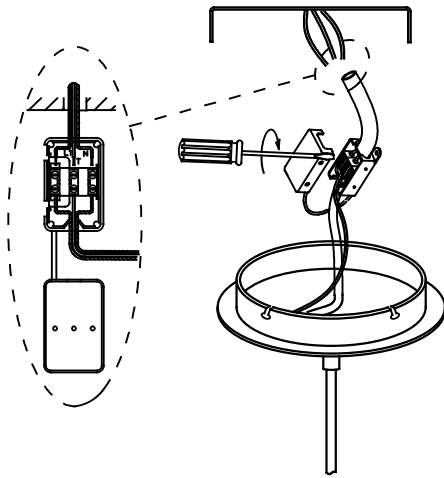
1



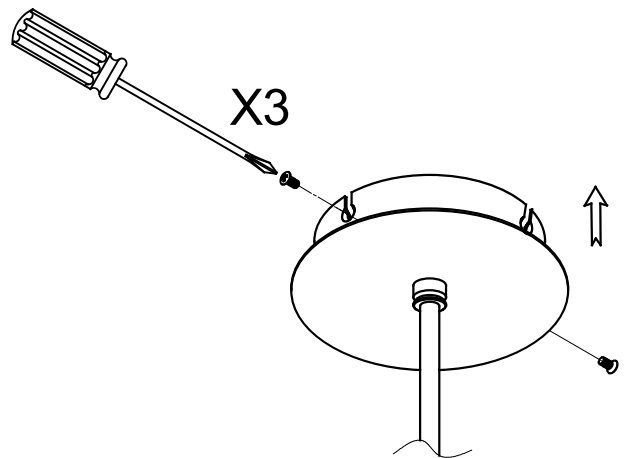
2



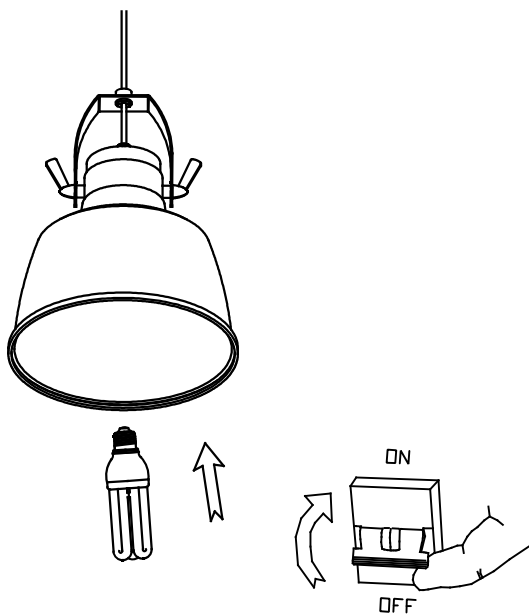
3



4



5



6

