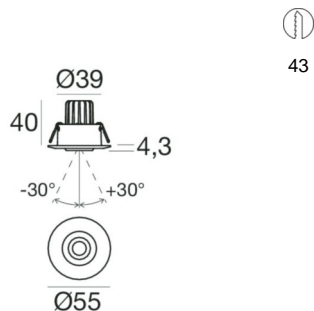







Downlights | 1 x powerLED 2,0 W 630 mA | CRI 80  
**97045W15**



Technical data	
Installation position	Wall lights - Ceiling
Installation environment	Indoor
Light Source	LED
Optic	15°
Power	2 W
Luminous flux (source)	208 lm
Current intensity	630mA
CCT / Tonalità	3000 K
Colour rendering index	80 Ra
C.C. / C.V.	CC
Safety class	3
IP	IP20
Glow wire test	850°
Direct mounting on normally flammable surfaces	Yes
CE	Yes
ETL	No
Operating temperature	-20°C / +50°C
Driver included	No
Induzione	No
Emergency mode	No
Directional	No
Tilting	Yes
Walk-over	No
Drive-over	No
Cable included	Yes
Cable length	0.12 m
Resin potting	No

Finishing casing	
Material	Aluminium
Colour	black RAL 9005
Processing	Coating

Electronics	
	1-10V - N/O button 1 art.
	DALI - Push and Simply Dim 1 art.
	On/Off Driver 3 art.
	On/Off Driver 6 art.
	On/Off Driver 1 art.



Downlights | 1 x powerLED 2,0 W 630 mA | CRI 80  
**97045W15**

Single emission downlights for indoor application. The warm white LED light source with a 15° light distribution is composed of 1 powered LEDs with CCT of 3000 K and a CRI 80; the source luminous flux is 208 lm, with a 104.0 lm/W nominal luminous efficacy and an operating lifetime (L) of 80000 hours.

The device body is made of aluminium and features a black ral 9005 finish, processed by means of coating. The ingress protection degree is IP20; the total weight is of 0.065 kg. The power supply driver is not provided and is to be ordered separately.

The total absorbed power is 2,0 W. The power supply cable is included and features.

The device features protection class III and can be wall lights or ceiling-mounted, with a 43 mm diameter hole (in plasterboard) with an outer casing, code 84902(for concrete or masonry).

#### Illuminotechnical Features

Luminous flux (source)	208 lm
Colour temperature	3000 K
Colour rendering index	80 Ra



Ghilea | Downlights | Accessories  
**97045W15**



Outer casing  
L=62mm, H=50mm, D=50mm

**Code**  
84902