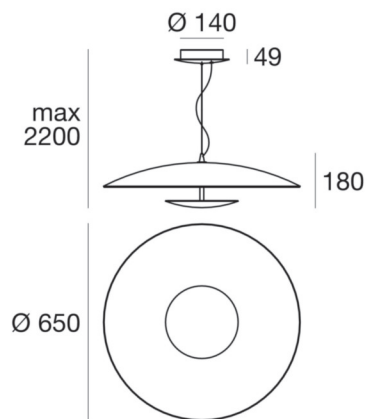




Pendant Luminaires | 220-240 V | topLED 34 W 700 mA | CRI 90
90286



Technical data	
Installation position	Ceiling
Installation environment	Indoor
Light Source	LED
Optics	General Lighting
Light emission direction	downward
Power	34 W
Luminous flux (source)	3214 lm
Frequency	60 - 50 Hz
CCT / Tonalità	3000 K
Colour rendering index	90 Ra
AC / DC	AC
Safety class	1
IP	IP20
Glow wire test	850°
Direct mounting on normally flammable surfaces	Yes
CE	Yes
ETL	No
Driver included	Yes
Induzione	No
Emergency mode	No
Motion sensor	No
Directional	No
Tilting	No
Walk-over	No
Drive-over	No
Cable included	No
Resin potting	No

Finishing diffuser	
Material	Glass
Colour	white
Processing	Sandblasting

Finishing mounting frame	
Material	Iron
Colour	embossed white RAL 9003
Processing	Coating



Pendant Luminaires | 220-240 V | topLED 34 W 700 mA | CRI 90
90286

Double emission pendant luminaires for indoor application. The warm white LED light source with a general lighting light distribution is composed of 1 topped LEDs with CCT of 3000 K and a CRI 90; the source luminous flux is 3214 lm, with a 94.5 lm/W nominal luminous efficacy and an operating lifetime (L80) of 80000 hours.

The diffuser is made of glass with a sandblasting treatment; the mounting frame is made of iron, with a embossed white ral 9003 finish, processed by means of coating. The ingress protection degree is IP20; The power supply driver is included in the delivery.

The total absorbed power is 34 W.

The device features protection class I and can be ceiling-mounted.

Illuminotechnical Features

Luminous flux (source)	3214 lm
Colour temperature	3000 K
Colour rendering index	90 Ra