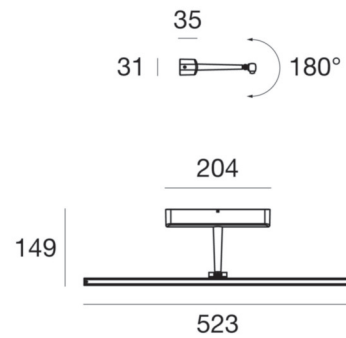


Straight_W



Wall Lights | 220-240 V | topLED 13 W 700 mA | CRI 90
8265



Technical data	
Installation position	Wall lights
Installation environment	Indoor
Light Source	LED
Optics	General Lighting
Light emission direction	downward
Power	13 W
Luminous flux (source)	1444 lm
Frequency	60 - 50 Hz
CCT / Tonaltà	2700 K
Colour rendering index	90 Ra
Safety class	2
IP	IP40
Glow wire test	850°
Direct mounting on normally flammable surfaces	Yes
CE	Yes
ETL	No
Driver included	Yes
Induzione	No
Emergency mode	No
Motion sensor	No
Directional	Yes
Tilting	No
Walk-over	No
Drive-over	No
Cable included	No
Resin potting	No

Finishing casing	
Material	Aluminium
Colour	chrome
Processing	Electroplating
Finishing diffuser	
Material	PC
Colour	opaline



Wall Lights | 220-240 V | topLED 13 W 700 mA | CRI 90
8265

Single emission wall lights for indoor application. The warm white LED light source with a general lighting light distribution is composed of 50 topped LEDs with CCT of 2700 K and a CRI 90; the source luminous flux is 1444 lm, with a 111.1 lm/W nominal luminous efficacy and an operating lifetime (L80) of 80000 hours.

The device body is made of aluminium and features a chrome finish, processed by means of electroplating; the diffuser is made of PC. The ingress protection degree is IP40; the total weight is of 0.330 kg. The power supply driver is included in the delivery.

The total absorbed power is 13 W.

The device features protection class II and can be wall lights-mounted.

Illuminotechnical Features	
Luminous flux (source)	1444 lm
Colour temperature	2700 K
Standard Deviation of Colour Matching	3 Step MacAdam
Colour rendering index	90 Ra
Life / Failure ratio	L80C0B20