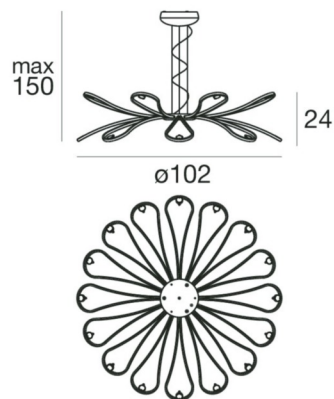




Pendant Luminaires | 220-240 V | 16xG4
7031



Technical data	
Installation position	Ceiling
Installation environment	Indoor
Lamp cap	16 x G4 Max 20W
Frequency	50 - 60 Hz
Optic	Diff. + Diff.
Light emission direction	downward
Safety class	1
IP	IP20
Glow wire test	850°
Direct mounting on normally flammable surfaces	Yes
CE	Yes
ETL	No
Driver included	Yes
Induzione	No
Emergency mode	No
Motion sensor	No
Directional	No
Tilting	No
Walk-over	No
Drive-over	No
Cable included	No
Resin potting	No

Finishing casing	
Material	Aluminium
Colour	embossed white RAL 9003
Processing	Coating

Finishing mounting frame	
Material	Iron
Colour	embossed white RAL 9003
Processing	Coating



Pendant Luminaires | 220-240 V | 16xG4
7031

Double emission pendant luminaires for indoor application. Low-voltage halogen lamp included 20W, lamp cap 16xG4.

The device body is made of aluminium and features a embossed white ral 9003 finish, processed by means of coating; the mounting frame is made of iron, with a embossed white ral 9003 finish, processed by means of coating. The ingress protection degree is IP20; the total weight is of 8.665 kg. The power supply driver is included in the delivery.

The device features protection class I and can be ceiling-mounted.

Illuminotechnical Features	
Luminous flux (source)	4800 lm
Colour temperature	2800 K
Colour rendering index	100 Ra