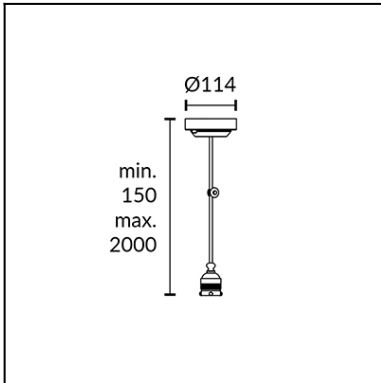
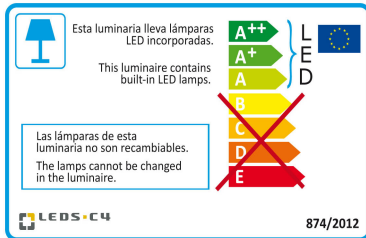




The photograph may not match the reference exactly. Please read the product description to identify the finish.



[Download photometric file .ldt / .ies](#)



[Click on image to download energy label](#)

TECHNICAL CHARACTERISTICS

Type:	Pendant
IP Protection degrees:	IP20
Light source 1:	1 x LED Cree 8.3W Warm White - 3000K 914 lm ^(N) CRI 80
Voltage / Frequency:	100-240V/50-60Hz
Warranty (Years):	2
Option to extend the guarantee (Years):	5
Units per box:	16
Net Weight (Kg):	0.655
EAN:	8435381434342



MATERIALS / FINISHES

Structure material:	Steel Aluminium	Diffuser material:	Methacrylate
Structure finish:	Patine	Diffuser finish:	Transparent

GEAR

Multi-voltage electronic gear included (100-240V / 50-60Hz)

Lm^(N): Nominal flow of light in actual working conditions. Its actual flow will depend on the environmental conditions and the efficiency of the optics and/or diffuser.

LEDS-C4 reserves the right to make the necessary technical changes they deem adequate, in order to improve the features of the product.

Please consult the sales team to clarify any doubt.

71-4818-F1-F1

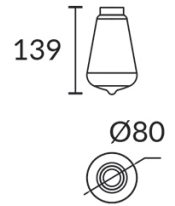


Diffuser material:

Glass

Diffuser finish:

Sandblasted



IP20

71-4817-F1-F1

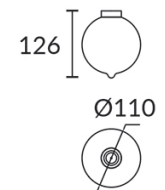


Diffuser material:

Glass

Diffuser finish:

Sandblasted



IP20

71-4821-CU-CU

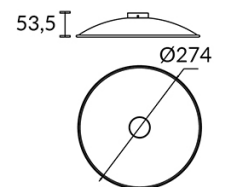


Structure material:

Steel

Structure finish:

Red



IP20

71-4824-CI-CI

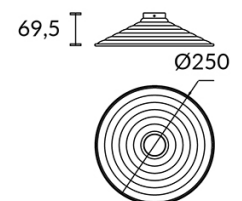


Structure material:

Steel

Structure finish:

Dark brown



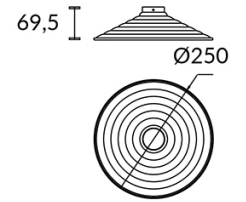
IP20

71-4824-20-20



Structure material:
Structure finish:

Steel
Beige



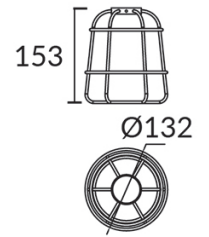
IP20

71-4825-CI-CI



Structure material:
Structure finish:

Steel
Dark brown



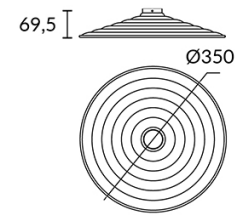
IP20

71-4940-CI-CI

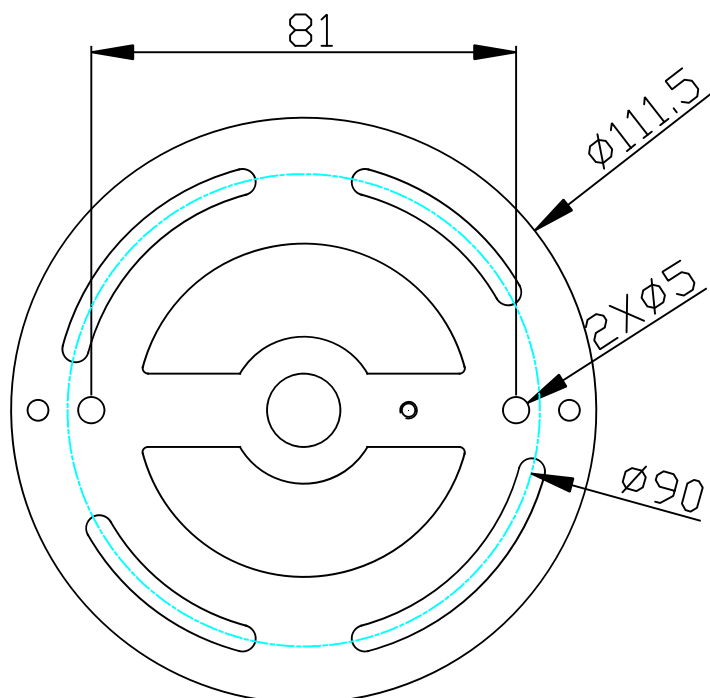
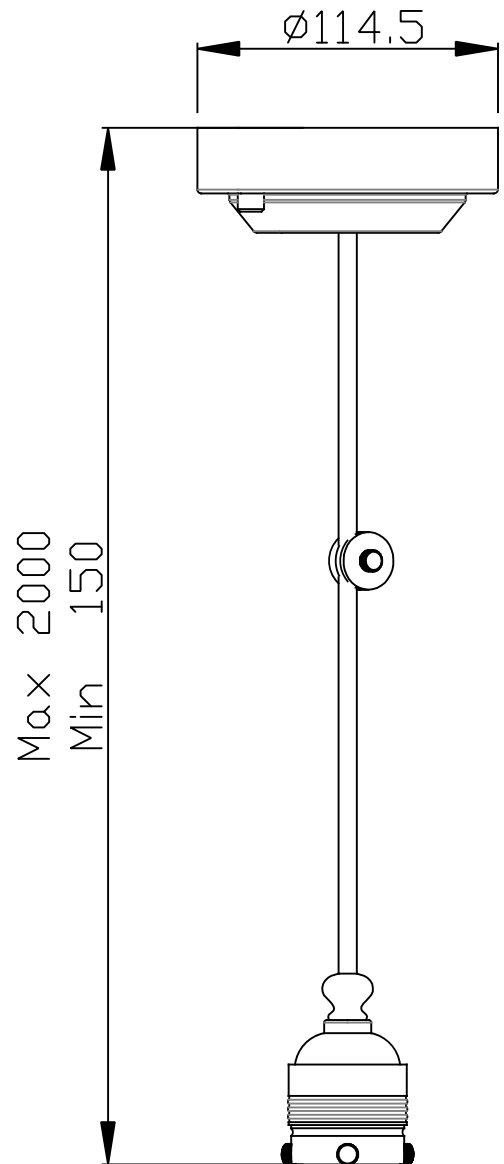
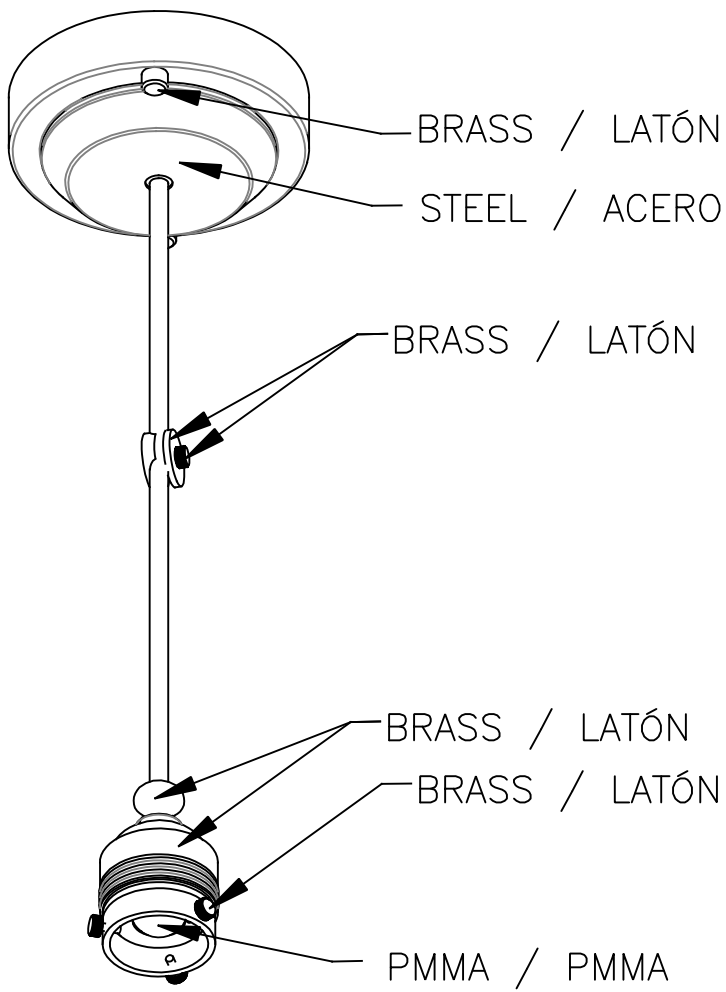


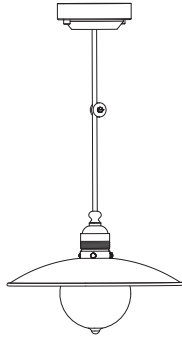
Structure material:
Structure finish:

Steel
Dark brown

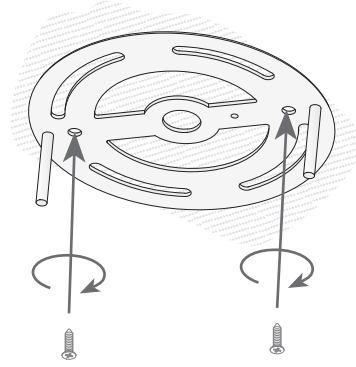


IP20

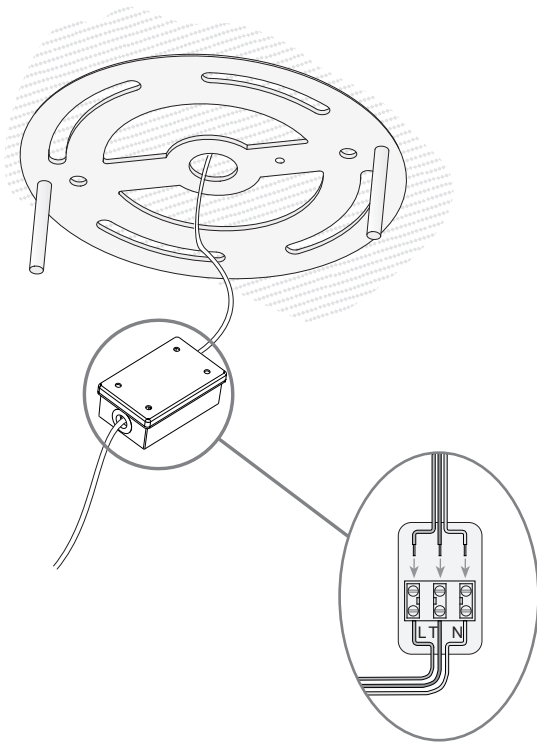




1



2



3

