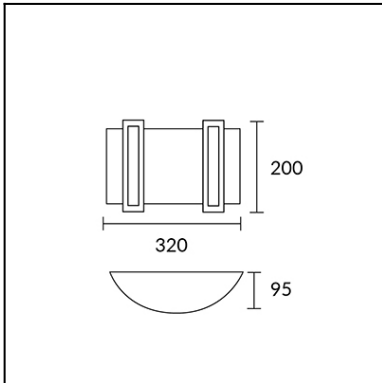
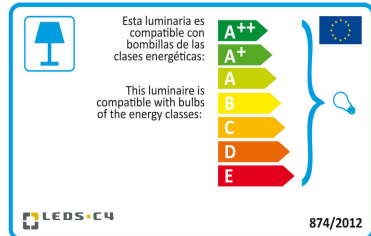




The photograph may not match the reference exactly. Please read the product description to identify the finish.



[Download photometric file .ldt / .ies](#)



[Click on image to download energy label](#)

## TECHNICAL CHARACTERISTICS

Type:	Wall fixture
Light source 1:	2 x E27 MAX 60W Maximum lamp length: 140.00 mm Maximum lamp diameter: 40.00 mm
Total power consumption (W):	120
Voltage / Frequency:	220-240V/50-60Hz
Warranty (Years):	2
Units per box:	6
Net Weight (Kg):	1.37
EAN:	8435111050309



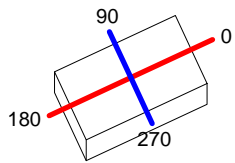
## MATERIALS / FINISHES

<b>Structure material:</b>	Steel	<b>Diffuser material:</b>	Glass
<b>Structure finish:</b>	Chrome Old brown	<b>Diffuser finish:</b>	Satin

<b>Luminaire</b>		<b>Measur.</b>		<b>Lamp</b>		
Code	479-CR	Code	479-CR	Code	STANDARD GOC 60W	
Name	Aplique LUGO 2x60W E27 opal	Name	Aplique LUGO 2x60W E27 opal	Number	2	
Line	Eulumdat	Date	18-03-2010	Position		
Efficiency	64.50%	Coordinate system	CG	Total Flux	1420.00 lm	
Maximum value	134.83 cd	Position	C=75.00 G=75.00	Double Symmetrical		
Rectangular Luminaire	Length	180 mm	Width	320 mm	Height	90 mm
Rectangular Luminous Area	Length	180 mm	Width	320 mm	Height	90 mm
Horizontal Luminous Area	0.057600 m2	Emitting area on Plane 180°		0.016200 m2		
Emitting area on Plane 0°	0.016200 m2	Emitting area on Plane 270°		0.028800 m2		
Emitting area on Plane 90°	0.028800 m2	Glare area at 76°		0.029653 m2		
Symmetry Type	Double Symmetrical	Maximum Gamma Angle		180		
Measurement Distance	0.00	Measurement Flux		1420.00 lm		
Operator	Asselum	Source voltage				
Temperature	25.00 °C	Source current				
Humidity	60.00 %	Photocell				
Notes						

Luminaire Lamps						
Line	Code	Name	Flux [lm]	Pow. [W]	Q.ty	
Eulumdat	STANDARD GOC 60W	STANDARD GOC 60W - 60.00 W	710.00	60.00	2	
C.I.E.	28 52 77 55 65	D DIN 5040				
F UTE	0.35 J + 0.29 T	B NBN				
		C11				
		BZ 7				

180mm x 320mm



**C Halfplanes**

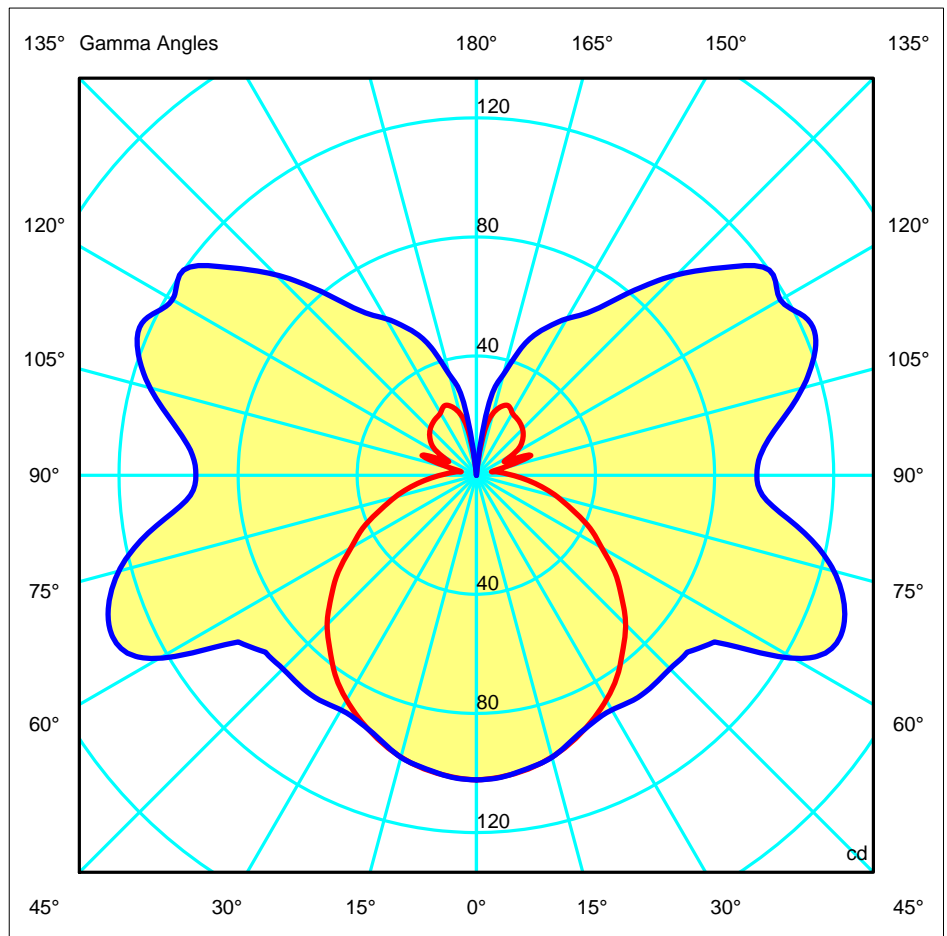
180.0 — 0.0

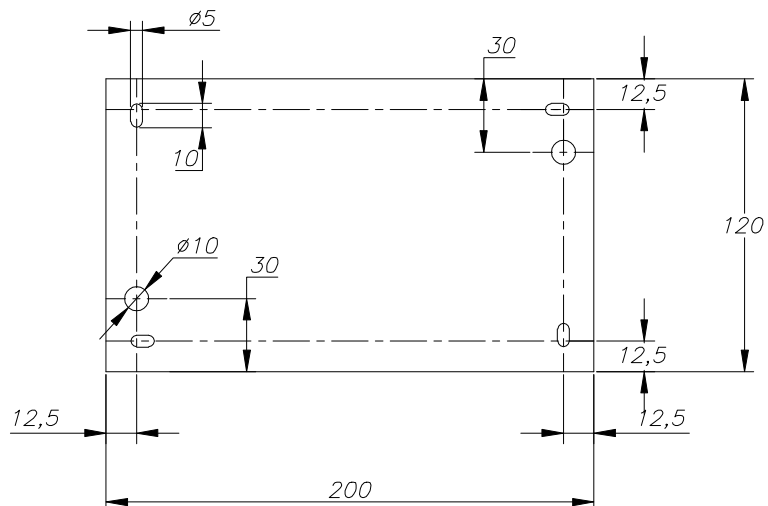
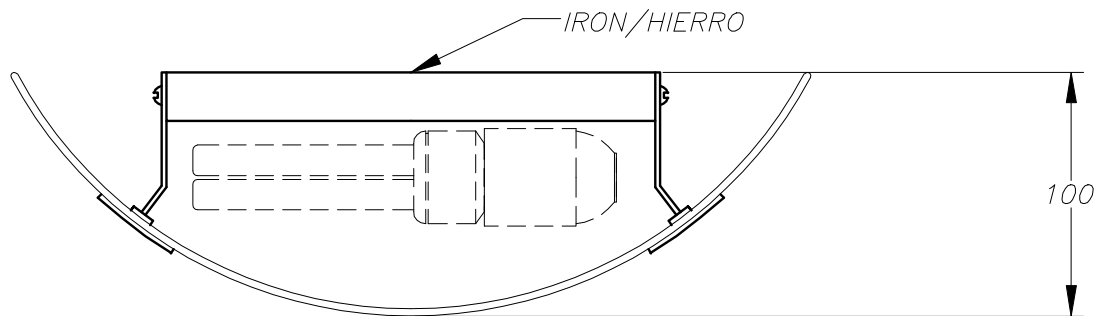
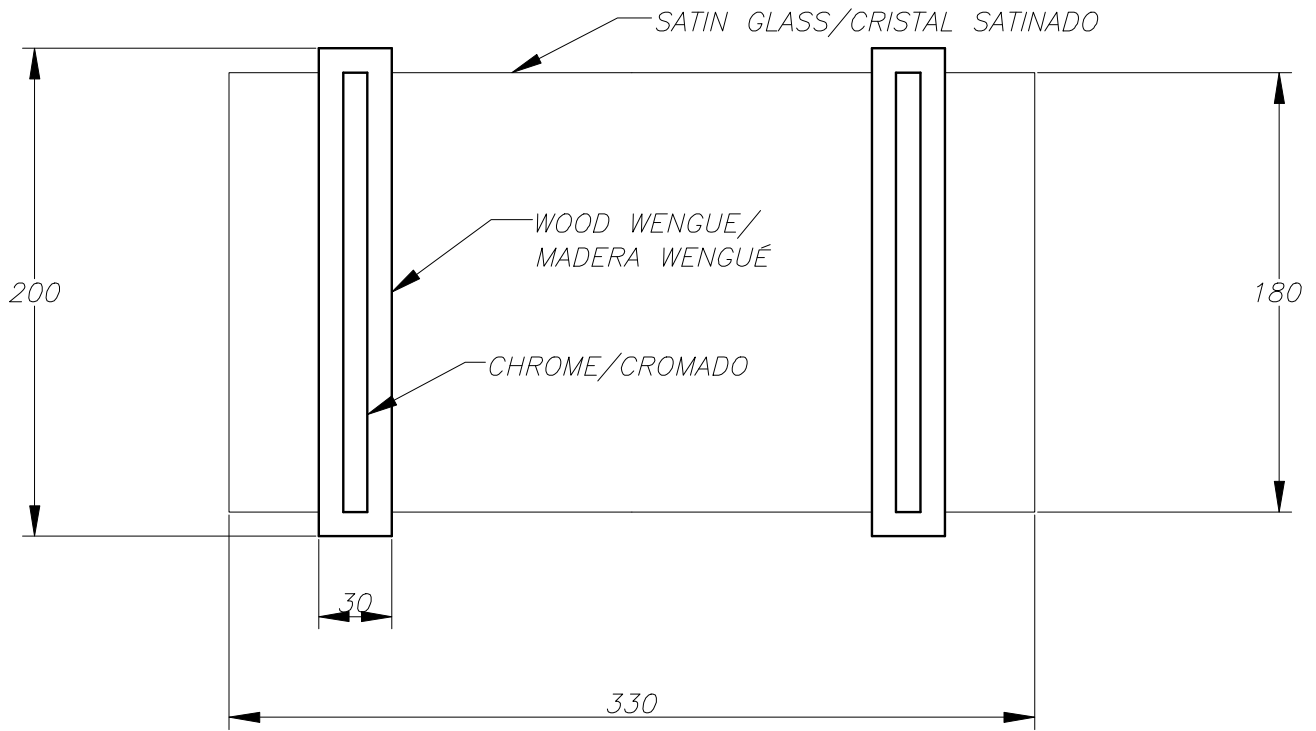
270.0 — 90.0

ULOR 29.02 %

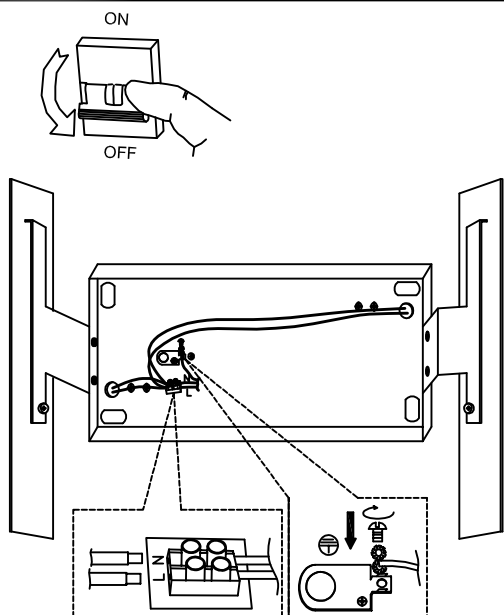
DLOR 35.48 %

RN 45.00 %

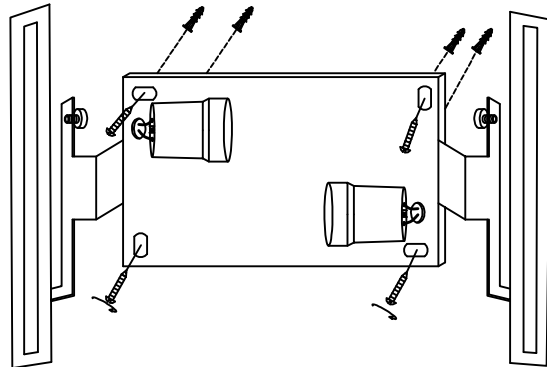




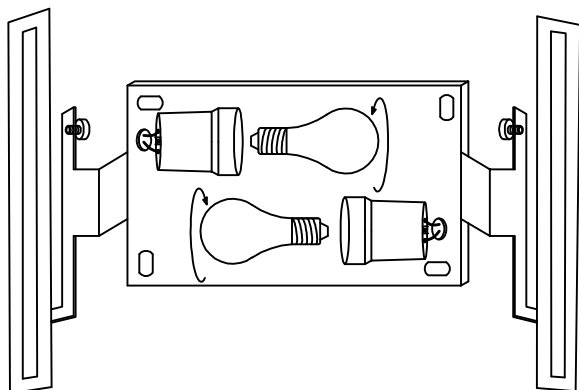
**1**



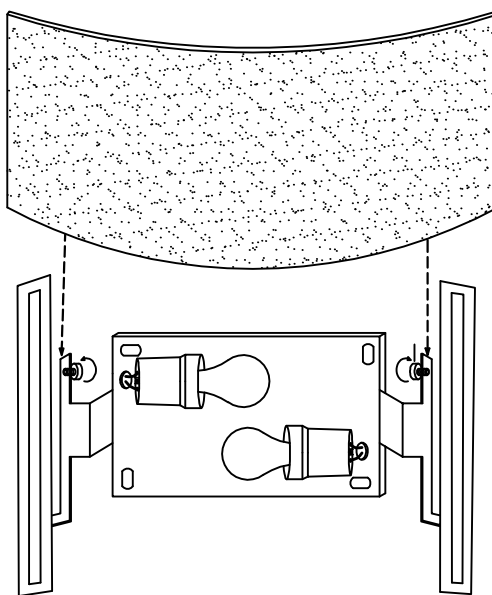
**2**



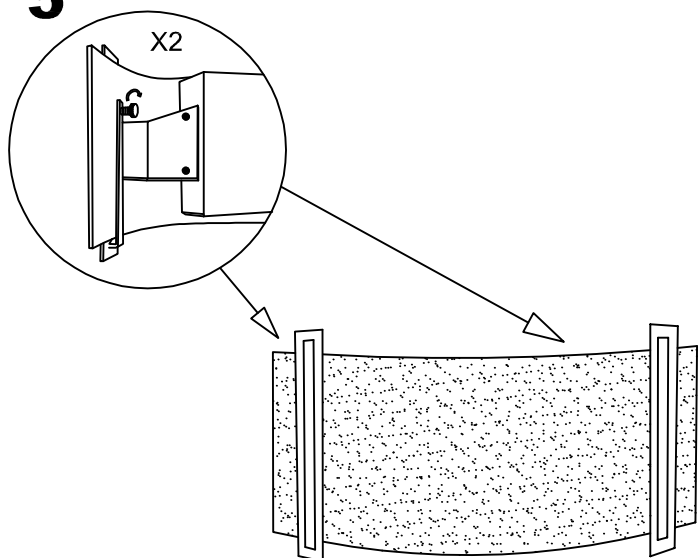
**3**



**4**



**5**



**6**

