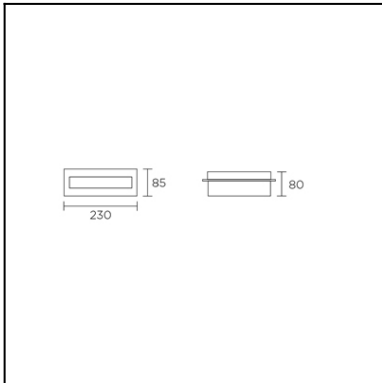
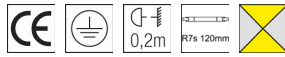


The photograph may not match the reference exactly. Please read the product description to identify the finish.



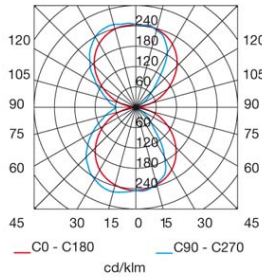
TECHNICAL CHARACTERISTICS

Type:	Wall fixture
IP Protection degrees:	IP20
Light source 1:	1 x R7s MAX 150W Maximum lamp length: 118.00 mm
Bulb included:	1 x R7s MAX 120W
Total power consumption (W):	150
Voltage / Frequency:	220-240V/50-60Hz
Warranty (Years):	2
Units per box:	6
Net Weight (Kg):	0.8
EAN:	8435111045855



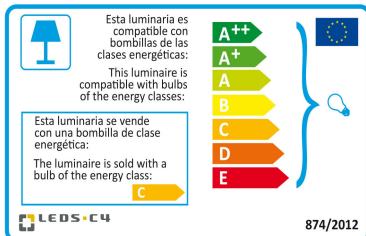
MATERIALS / FINISHES

Structure material:	Satin aluminium	Diffuser material:	Glass
Structure finish:	Polished	Diffuser finish:	Satin



$\eta = 59,99\%$

Download photometric file .ldt / .ies

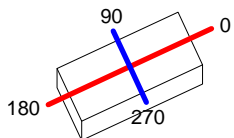


Click on image to download energy label

Luminaire		Measur.		Lamp		
Code	443-AL	Code	443-AL	Code	150T3 Q/CL/P 230V SM	
Name	Aplique dir/ind 150W halog R7s	Name	Aplique dir/ind 150W halog R7s	Number	1	
Line	Eulumdat	Date	04-03-2010	Position		
Efficiency	59.99%	Coordinate system	CG	Total Flux	2250.00 lm	
Maximum value	257.99 cd	Position	C=270.00 G=15.00	Asymmetrical		
Rectangular Luminaire	Length	85 mm	Width	195 mm	Height	35 mm
Rectangular Luminous Area	Length	44 mm	Width	190 mm	Height	35 mm
Horizontal Luminous Area	0.008360 m2	Emitting area on Plane 180°		0.001540 m2		
Emitting area on Plane 0°	0.001540 m2	Emitting area on Plane 270°		0.006650 m2		
Emitting area on Plane 90°	0.006650 m2	Glare area at 76°		0.003517 m2		
Symmetry Type	Asymmetrical	Maximum Gamma Angle		180		
Measurement Distance	0.00	Measurement Flux		2250.00 lm		
Operator	Asselum	Source voltage				
Temperature	25.00 °C	Source current				
Humidity	60.00 %	Photocell				
Notes						

Luminaire Lamps					
Line	Code	Name	Flux [lm]	Pow. [W]	Q.ty
Eulumdat	150T3 Q/CL/P 230V SM	150T3 Q/CL/P 230V SM - 150.00 W	2250.00	150.00	1
C.I.E.	50 79 94 50 60	D DIN 5040	C31		
F UTE	0.30 E + 0.30 T	B NBN	BZ 4 / 3 / BZ 5		

85mm x 195mm



C Halfplanes

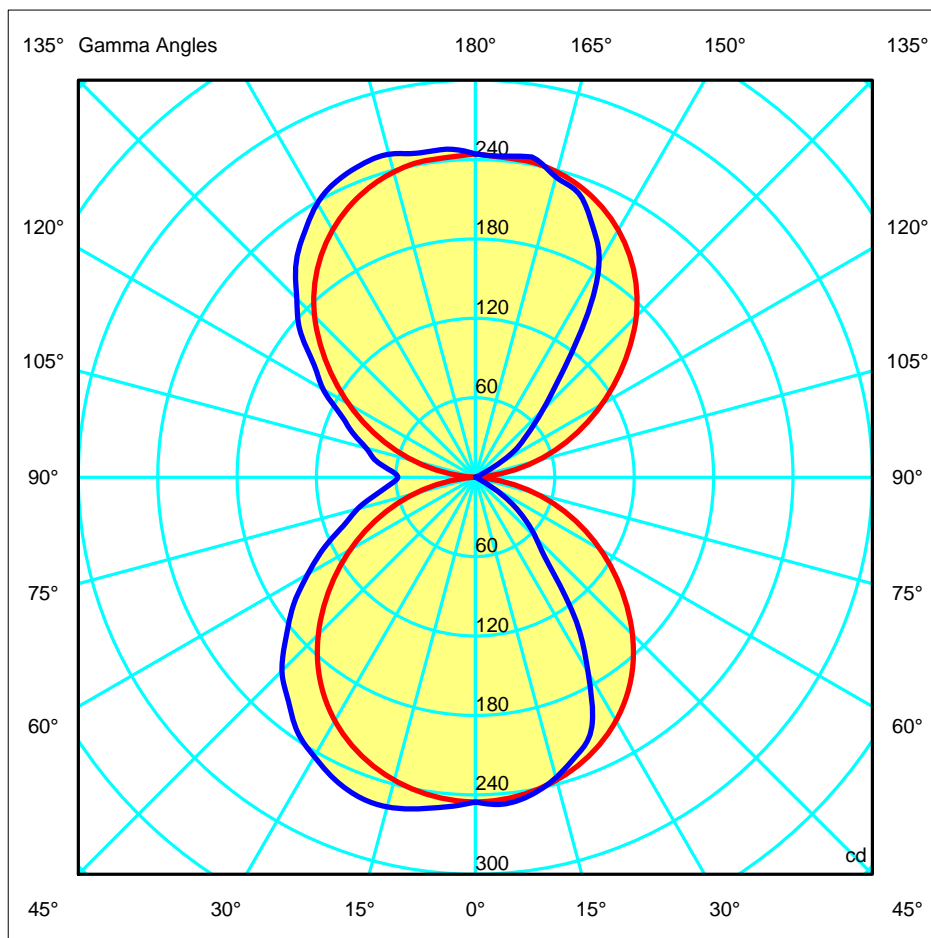
180.0 — 0.0

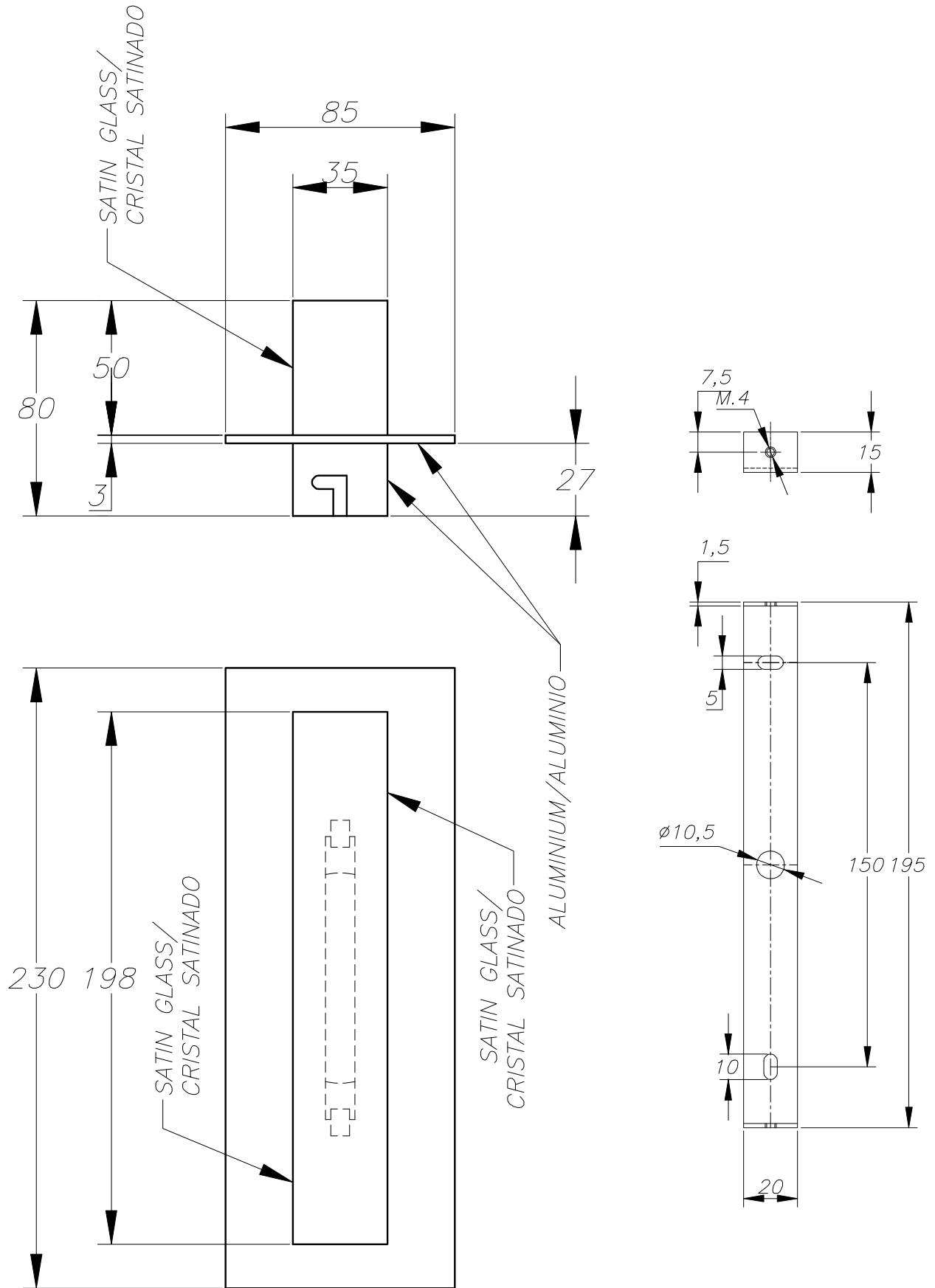
270.0 — 90.0

ULOR 30.09 %

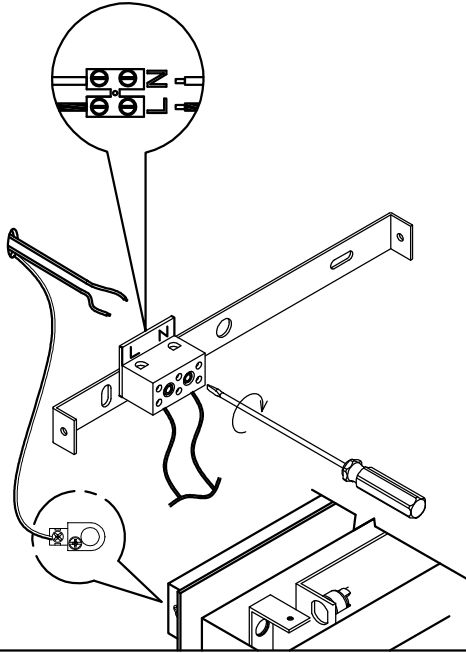
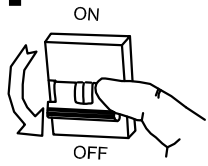
DLOR 29.90 %

RN 50.16 %

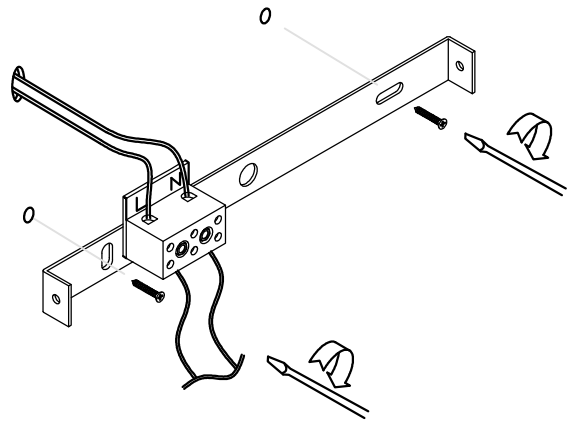




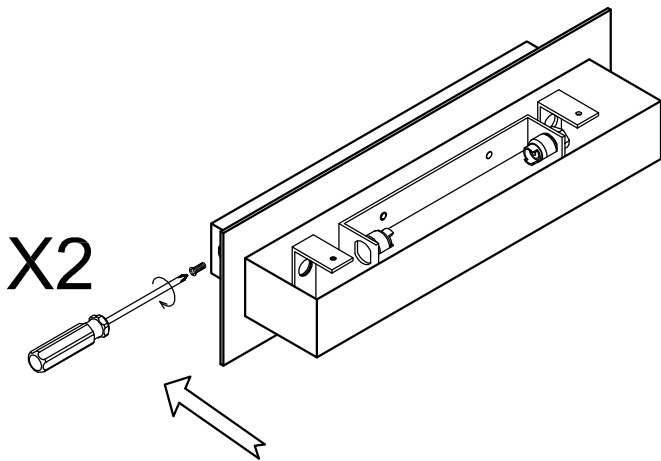
1



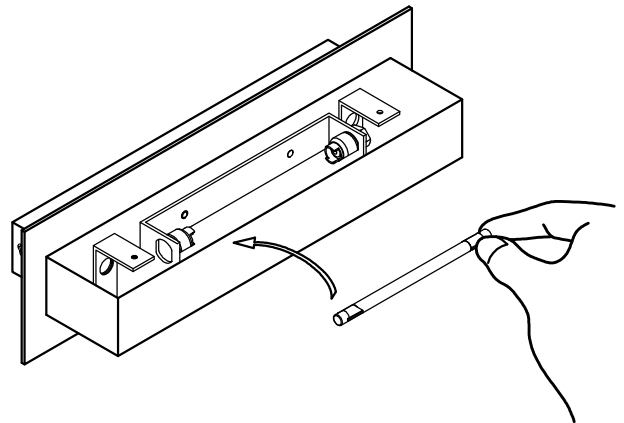
2



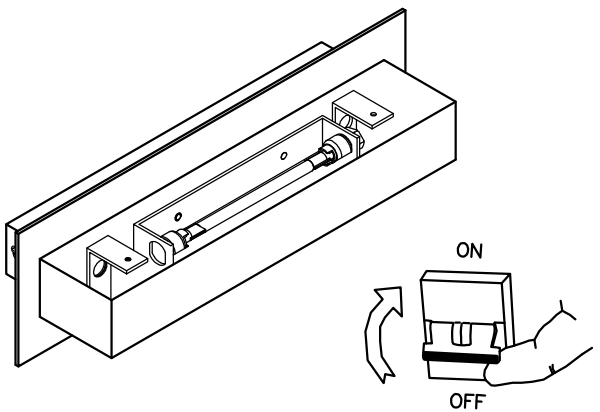
3



4



5



6

