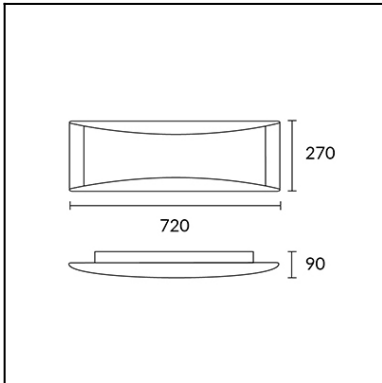


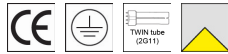


The photograph may not match the reference exactly. Please read the product description to identify the finish.



## TECHNICAL CHARACTERISTICS

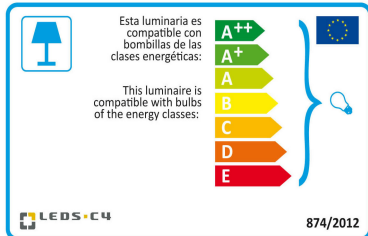
Type:	Ceiling fixture
IP Protection degrees:	IP23
Light source 1:	2 x 2G11 40W
Voltage / Frequency:	230V/50-60Hz
Warranty (Years):	2
Units per box:	2
Net Weight (Kg):	3.284
EAN:	8435111032749



## MATERIALS / FINISHES

<b>Structure material:</b>	Steel	<b>Diffuser material:</b>	Polycarbonate
<b>Structure finish:</b>	Textured grey	<b>Diffuser finish:</b>	Matt opal

[Download photometric file .ldt / .ies](#)



[Click on image to download energy label](#)

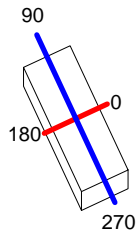
## GEAR

Gear included: Yes, electronic

<b>Luminaire</b>		<b>Measur.</b>		<b>Lamp</b>		
Code	331-GR	Code	331-GR	Code	PL-L40W/840/4P	
Name	Plafón ALPEN 2x40W 2G11 opal	Name	Plafón ALPEN 2x40W 2G11 opal	Number	2	
Line	Eulumdat	Date	18-03-2010	Position		
Efficiency	31.13%	Coordinate system	CG	Total Flux	7000.00 lm	
Maximum value	736.40 cd	Position	C=0.00 G=0.00	Double Symmetrical		
Rectangular Luminaire	Length	720 mm	Width	270 mm	Height	55 mm
Rectangular Luminous Area	Length	630 mm	Width	260 mm	Height	30 mm
Horizontal Luminous Area	0.163800 m2	Emitting area on Plane 180°		0.018900 m2		
Emitting area on Plane 0°	0.018900 m2	Emitting area on Plane 270°		0.007800 m2		
Emitting area on Plane 90°	0.007800 m2	Glare area at 76°		0.057965 m2		
Symmetry Type	Double Symmetrical	Maximum Gamma Angle		180		
Measurement Distance	0.00	Measurement Flux		7000.00 lm		
Operator	Asselum	Source voltage				
Temperature	25.00 °C	Source current				
Humidity	60.00 %	Photocell				
Notes						

Luminaire Lamps					
Line	Code	Name	Flux [lm]	Pow. [W]	Q.ty
Eulumdat	PL-L40W/840/4P	PL-L40W/840/4P - 40.00 W	3500.00	40.00	2
C.I.E.	46 78 95 98 31	D DIN 5040	A31		
F UTE	0.31 E + 0.01 T	B NBN	BZ 5		

720mm x 270mm



**C Halfplanes**

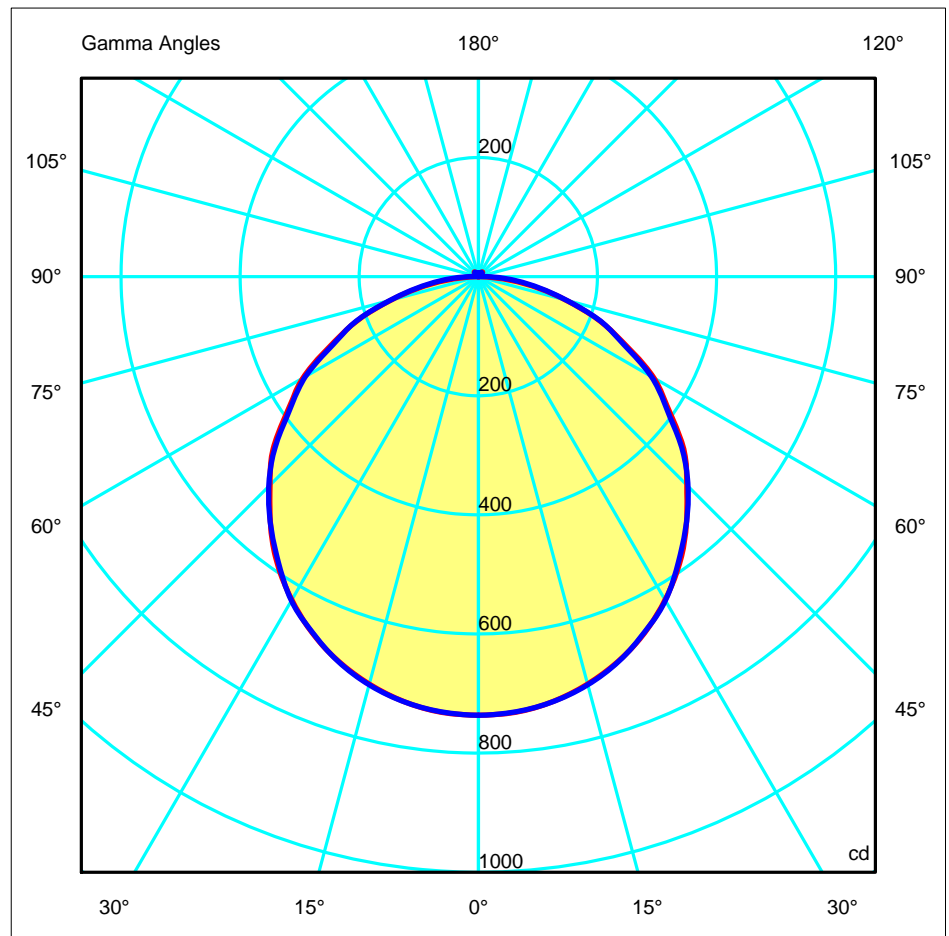
180.0 — 0.0 (Red line)

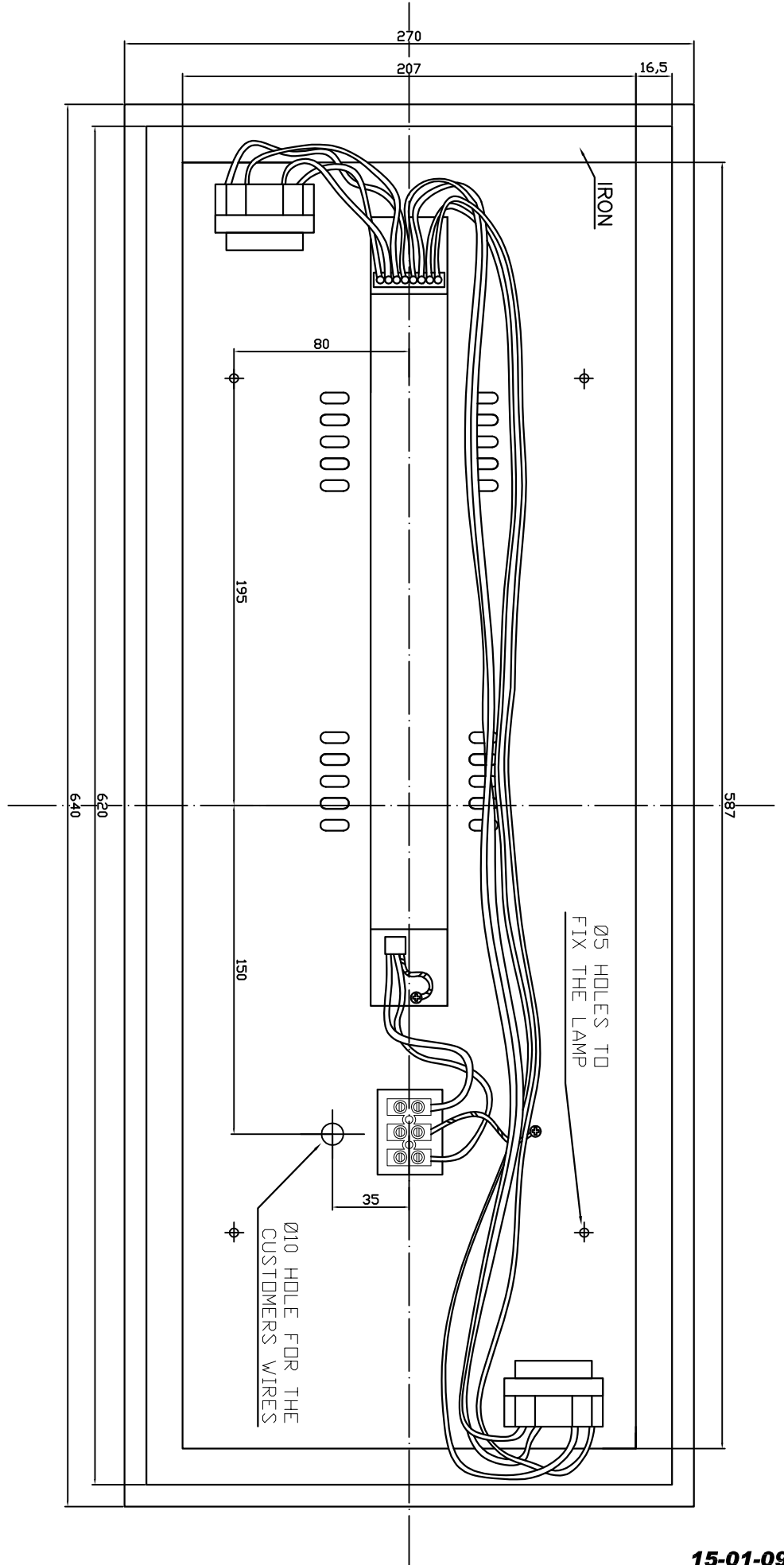
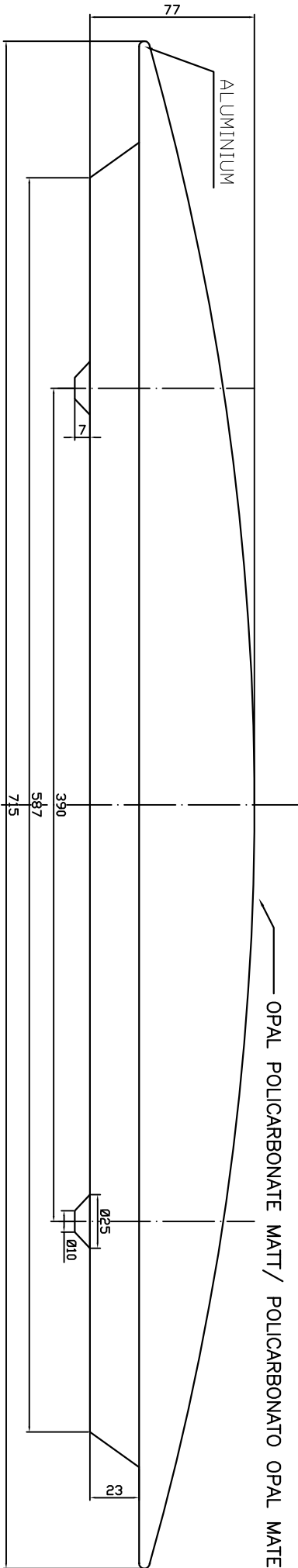
270.0 — 90.0 (Blue line)

ULOR 0.51 %

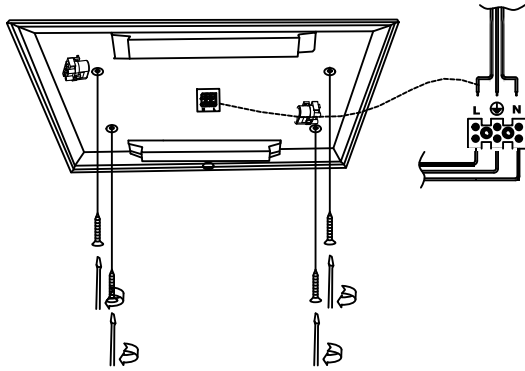
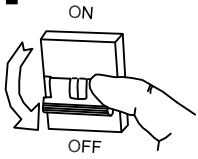
DLOR 30.62 %

RN 1.64 %

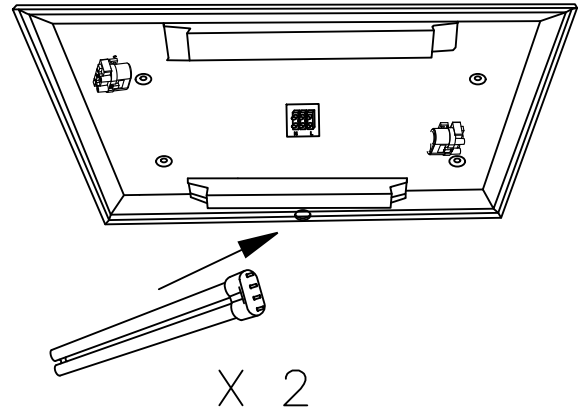




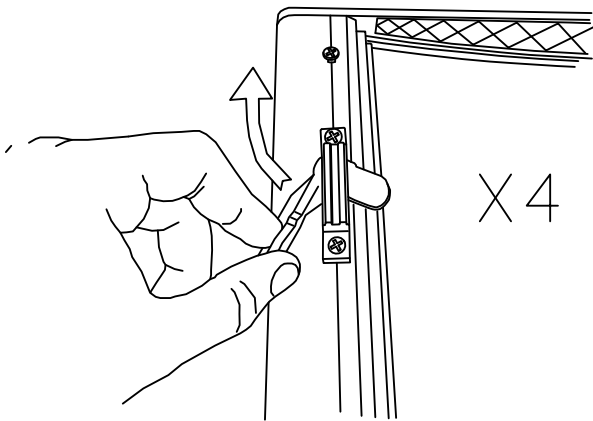
**1**



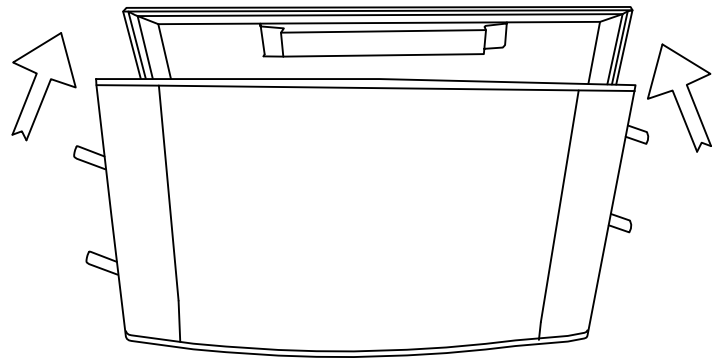
**2**



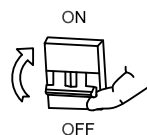
**3**



**4**



**5**



**6**

