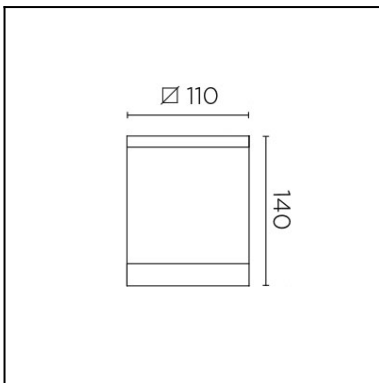




The photograph may not match the reference exactly. Please read the product description to identify the finish.

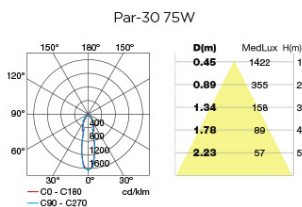


Description

Straight edged light unit. Injected aluminium body with clear glass diffuser. Offered in two sizes, and finished in light grey or dark grey. Compatible with LED, compact fluorescent and halogen lamps.

TECHNICAL CHARACTERISTICS

Type:	Ceiling fixture
IP Protection degrees:	IP54
IK Protection degrees:	IK05
Light source 1:	1 x E27/PAR-30 MAX 75W Maximum lamp length: 90.00 mm Maximum lamp diameter: 97.00 mm
Total power consumption (W):	75
Voltage / Frequency:	230V/50-60Hz
Warranty (Years):	2
Units per box:	8
Net Weight (Kg):	0.835
EAN:	8435111058916



MATERIALS / FINISHES

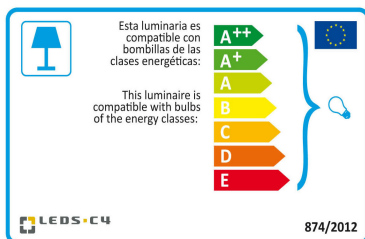
Structure material: Injected aluminium

Diffuser material: Glass

Structure finish: Grey

Diffuser finish: Transparent

Download photometric file .ldt / .ies

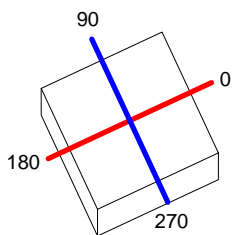


Click on image to download energy label

Luminaire		Measur.		Lamp		
Code	15-9328-34-B8	Code	15-9328-34-B8	Code	Hi-Spot 95 75W 30ø	
Name	Plafón 75W PAR-30 E27	Name	Plafón 75W PAR-30 E27	Number	1	
Line	Eulumdat	Date	19-11-2008	Position		
Efficiency	69.45%	Coordinate system	CG	Total Flux	888.00 lm	
Maximum value	1469.28 cd	Position	C=0.00 G=0.00	Double Symmetrical		
Rectangular Luminaire	Length	107 mm	Width	107 mm	Height	142 mm
Rectangular Luminous Area	Length	70 mm	Width	70 mm	Height	1 mm
Horizontal Luminous Area	0.004900 m2	Emitting area on Plane 180°		0.000070 m2		
Emitting area on Plane 0°	0.000070 m2	Emitting area on Plane 270°		0.000070 m2		
Emitting area on Plane 90°	0.000070 m2	Glare area at 76°		0.001253 m2		
Symmetry Type	Double Symmetrical	Maximum Gamma Angle	90			
Measurement Distance	0.00	Measurement Flux	888.00 lm			
Operator	OxyTech	Source voltage				
Temperature	25.00 °C	Source current				
Humidity	60.00 %	Photocell				
Notes						

Luminaire Lamps						
Line	Code	Name	Flux [lm]	Pow. [W]	Q.ty	
Eulumdat	Hi-Spot 95 75W 30ø	Hi-Spot 95 75W 30ø - 75.00 W	888.00	75.00	1	
C.I.E.	90 98 100 100 69	D DIN 5040				
F UTE	0.69 A	B NBN				
		A60				
		BZ 1				

107mm x 107mm



C Halfplanes

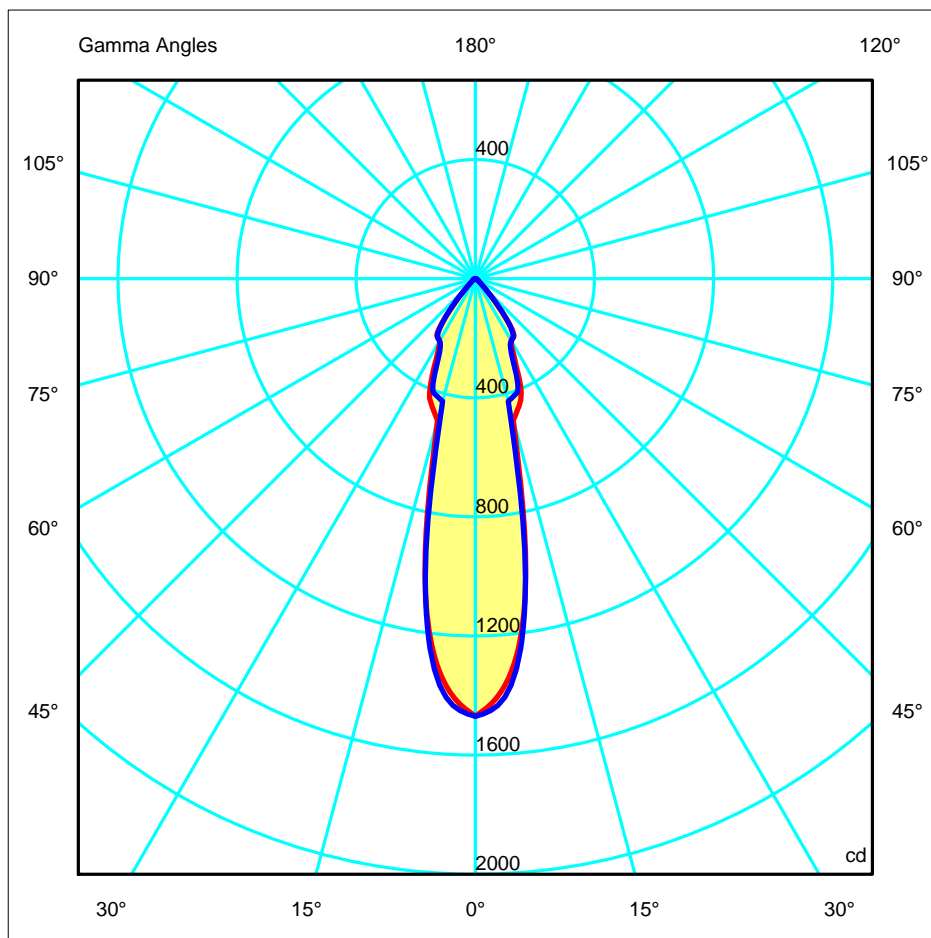
180.0 — 0.0

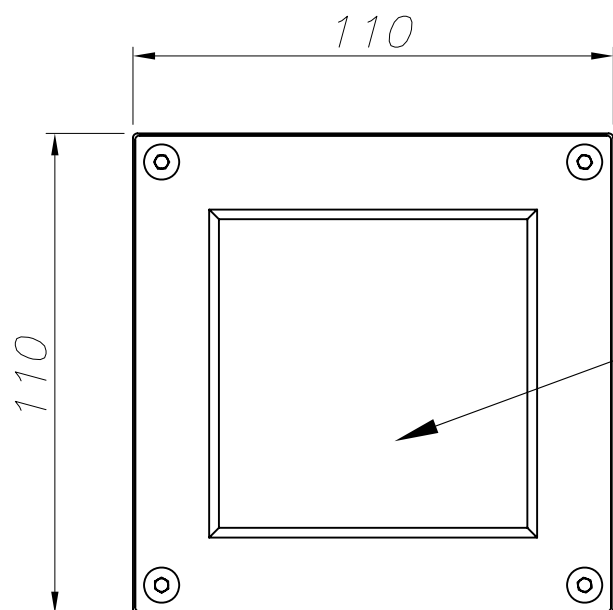
270.0 — 90.0

ULOR 0.00 %

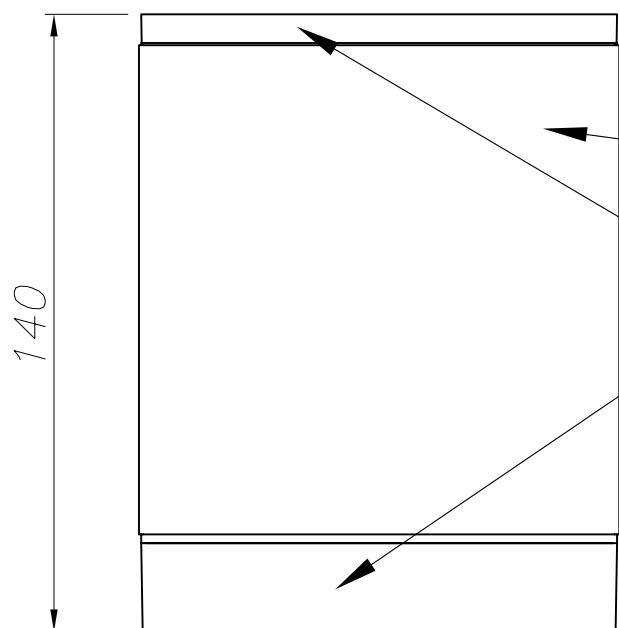
DLOR 69.45 %

RN 0.00 %



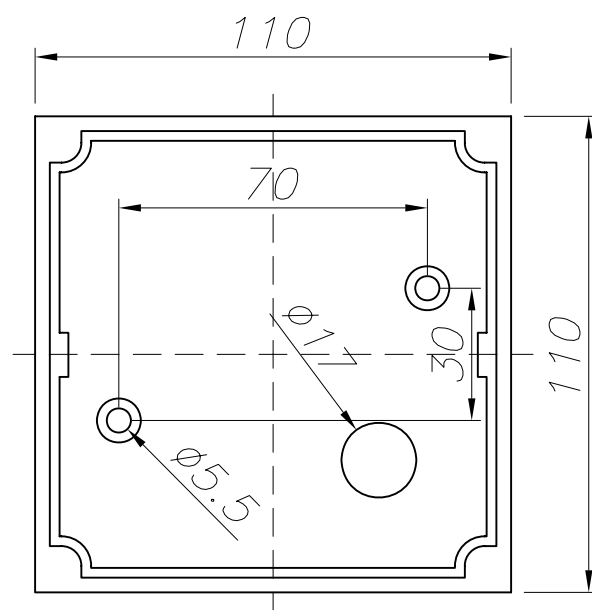


CRISTAL TRANSPARENTE
TRANSPARENT GLASS



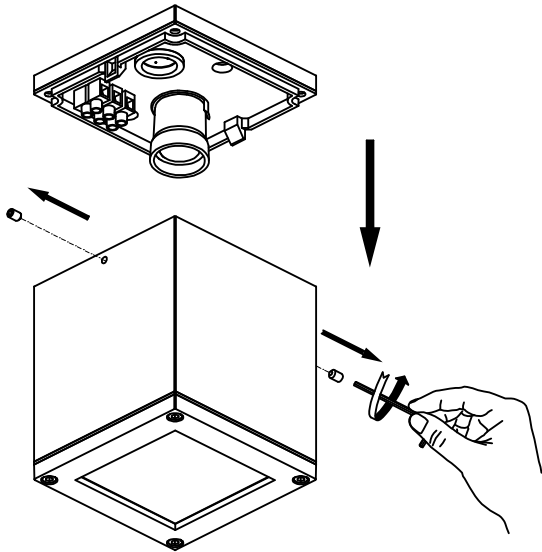
ALUMINIO EXTRUIDO
EXTRUDED ALUMINUM

ALUMINIO INYECTADO
INJECTED ALUMINUM

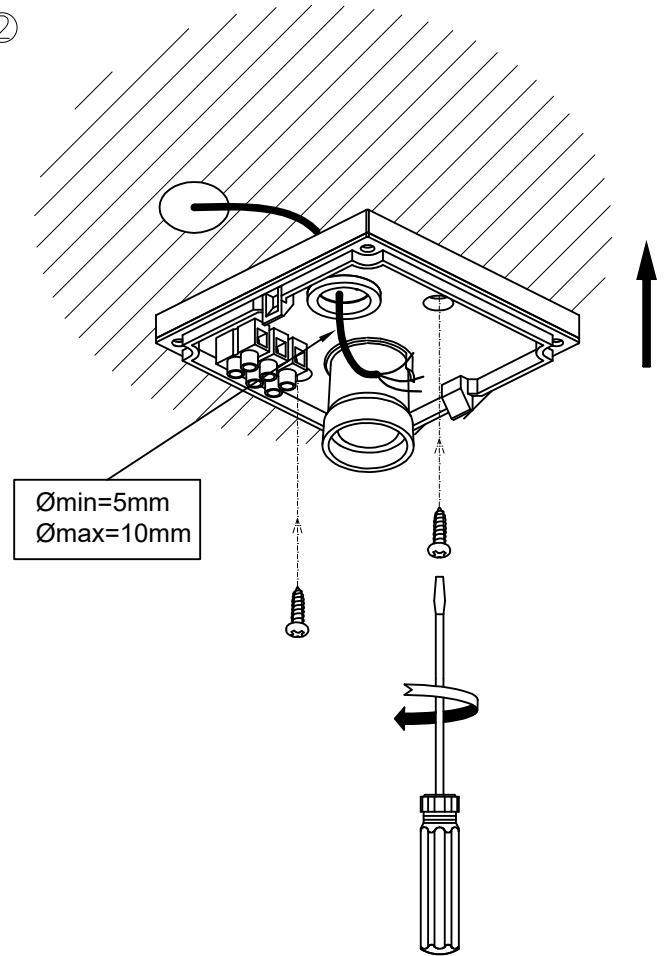


PLANTILLA DE INSTALACIÓN
INSTALLATION TEMPLATE

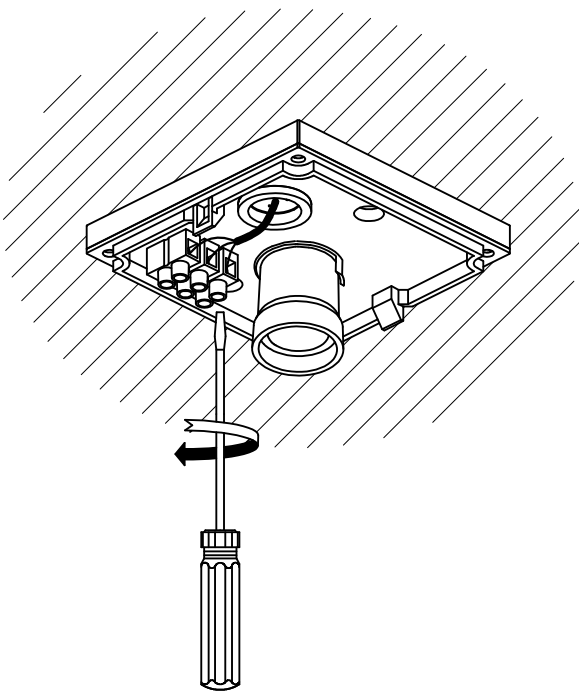
①



②



③



④

