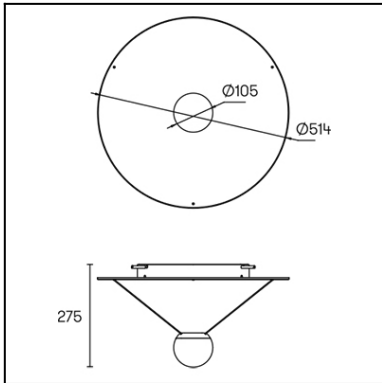


# SINGLE

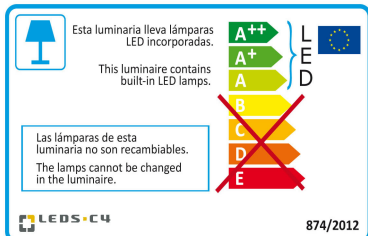
## 15-5100-D9-D9



The photograph may not match the reference exactly. Please read the product description to identify the finish.



[Download photometric file .ldt /.ies](#)



[Click on image to download energy label](#)

### TECHNICAL CHARACTERISTICS

Type:	Ceiling fixture
IP Protection degrees:	IP23
Light source 1: Bulb specified at the product label	1 x LED 25W Warm White - 2700K 3011 lm <sup>(N)</sup> CRI 80
Voltage / Frequency:	220-240VAC/50-60Hz
Warranty:	2
Option to extend the guarantee:	5
Units per box:	1
Net Weight (Kg):	4.230
EAN Code:	8435381429461



### MATERIALS / FINISHES

**Structure material:** Steel  
**Structure finish:** Silver leaf  
Chrome

### GEAR

Multi-voltage electronic gear included (Yes)  
Dimming protocol: Phase cut

# OPTOTRONIC®

## Constant Current LED Power Supply mains dimmable (Phase Cut functionality)

List of Phase Cut Dimmers tested for compatibility

Brand	Model Number	L/T	OTe10/220-240/700PC		OTe13/220-240/350PC		OTe18/220-240/350PC		OTe18/220-240/500PC		OTe25/220-240/700 PC		OTe35/220-240/700 PC	
			dim min	dim max	dim min	dim max	dim min	dim max	dim min	dim max	dim min	dim max	dim min	dim max
Busch	2247U	L	7%	98%	9%	97%	30%	96%	30%	100%	1%	100%	NA	100%
Busch	6523U	L	5%	98%	4%	94%	1%	93%	5%	99%	3%	96%	3%	100%
Busch	6513U-102	T	18%	99%	16%	97%	10%	95%	18%	100%	10%	100%	24%	100%
Busch	2250	L	5%	100%	0%	95%	40%	96%	34%	100%	39%	100%	6%	100%
Clipsal	32E450 TM	T	11%	100%	10%	97%	5%	95%	14%	100%	13%	100%	NA	100%
Clipsal	32E450UM	T	15%	97%	13%	96%	8%	93%	18%	100%	10%	98%	17%	100%
Clipsal	32E2CFDLM	L	10%	98%	9%	97%	4%	93%	9%	100%	5%	92%	12%	100%
Clipsal*	32E450LM	L	2%	96%	1%	95%	3%	97%	7%	98%	3%	98%	6%	100%
ELKO*	315 GLE	T	9%	100%	10%	95%	7%	100%	33%	100%	13%	100%	7%	100%
ELKO*	400 GLI	L	3%	100%	2%	96%	4%	96%	7%	100%	3%	100%	4%	100%
Feller*	40600.RL	L	2%	100%	3%	97%	6%	97%	6%	98%	4%	99%	3%	100%
GIRA	0307 00/01	T	1%	100%	0%	97%	0%	96%	5%	100%	0%	100%	4%	100%
Hager B&R	WBMD400TO	T	23%	100%	17%	97%	12%	100%	29%	100%	12%	97%	30%	100%
HPM	cat 400T	T	7%	90%	5%	85%	3%	85%	9%	100%	5%	86%	3%	100%
HPM	Cat 200L	L	4%	78%	5%	82%	4%	76%	4%	82%	4%	77%	9%	100%
Jung	225TDE	T	15%	99%	11%	96%	7%	91%	13%	100%	8%	93%	4%	100%
Jung*	225NVDE	L	4%	99%	5%	97%	5%	97%	8%	100%	4%	100%	4%	100%
Legrand	Cat 400L	T	1%	100%	1%	95%	0%	97%	1%	105%	1%	100%	3%	100%
Legrand	Cat 400T	L	4%	82%	1%	85%	3%	81%	5%	78%	4%	77%	3%	100%
Legrand	ZLD03	T	4%	82%	0%	78%	3%	88%	9%	100%	5%	86%	20%	100%
Legrand	078407	L	2%	90%	4%	95%	1%	86%	3%	93%	3%	85%	5%	100%
Legrand	067083	T	3%	91%	3%	95%	2%	87%	4%	93%	3%	85%	1%	100%
Legrand	770062	T	5%	97%	5%	100%	3%	94%	4%	100%	3%	93%	0%	100%
TCL-Legrand	775903	T	9%	96%	8%	92%	3%	89%	10%	100%	5%	91%	3%	100%
Lutron*	GRX-3106-T-AU-WH	L	0%	100%	0%	97%	0%	96%	0%	100%	0%	100%	0%	100%
Lutron (USA)	GXI-3104-T-CE-WH	T	4%	100%	0%	97%	0%	96%	0%	100%	0%	100%	0%	100%
NIKO	310-01900	T	4%	97%	4%	100%	0%	95%	4%	100%	3%	95%	2%	100%
NIKO	330-00700	T	4%	97%	3%	100%	1%	95%	2%	100%	2%	95%	0%	100%
NIKO	310-02700	T	9%	89%	9%	93%	6%	83%	7%	88%	6%	80%	13%	100%
NIKO	310-02800	T	2%	97%	1%	100%	1%	95%	4%	92%	2%	95%	2%	100%
OSRAM	HTI DALI 315 DIM	T	12%	100%	8%	97%	5%	96%	11%	100%	7%	100%	14%	100%
OSRAM	MCU Te250	T	6%	89%	5%	85%	4%	84%	11%	100%	5%	84%	9%	100%
Siemens	5TC8 284	T	10%	100%	6%	97%	3%	94%	10%	100%	4%	93%	5%	100%

\* Functionality at the minimum load to be checked

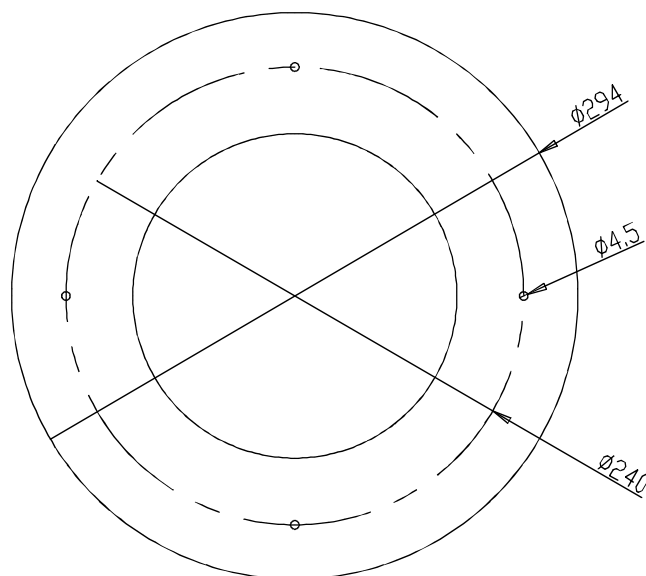
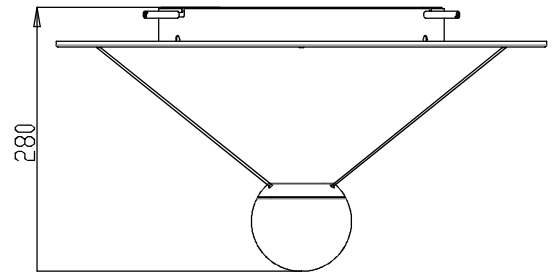
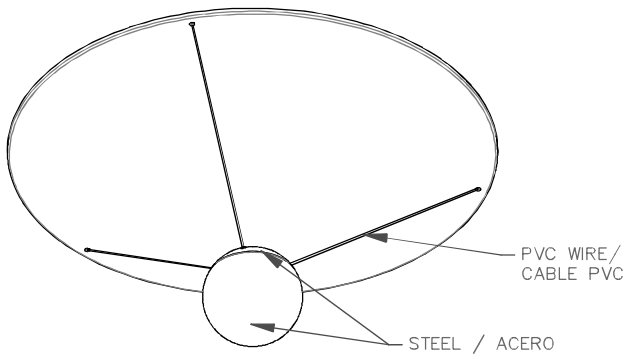
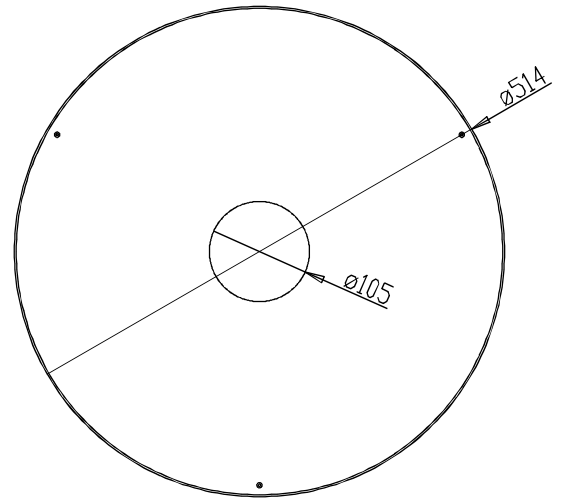
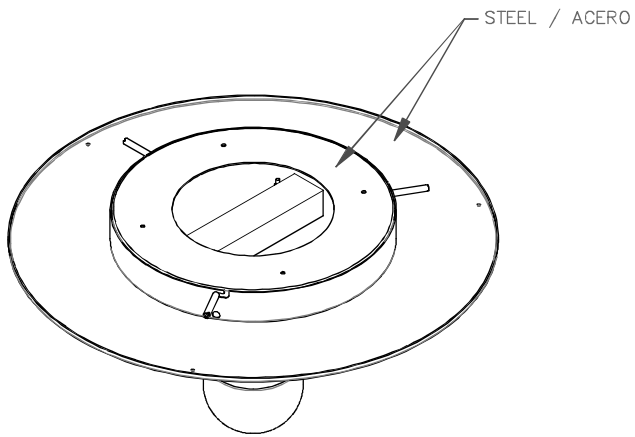
The list is tested by **one** dimmer with one driver

Compatibility proven in respect of linear dimming behaviour in the range given by the dimmer and absence of flashing and flickering.

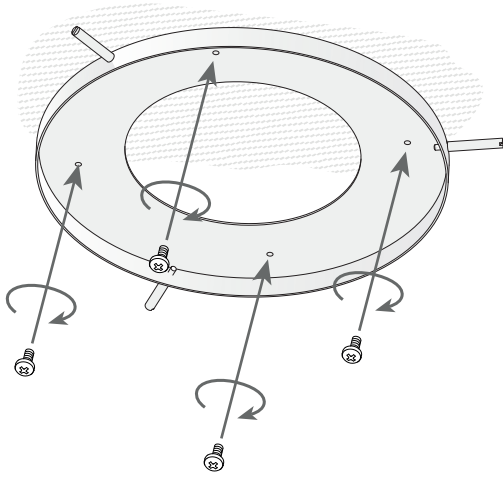
Max. dimming level depending on the construction of the dimmer

date 2014

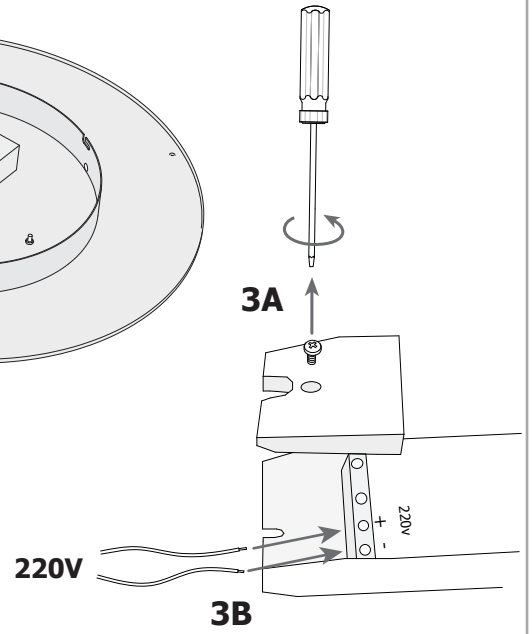
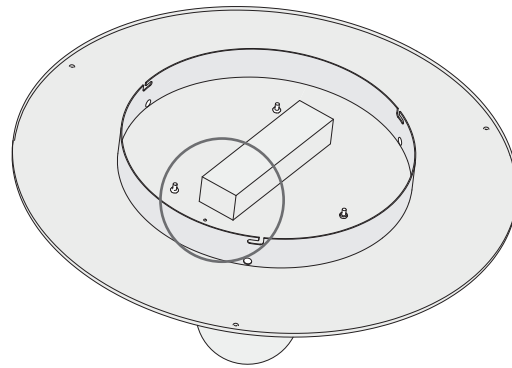




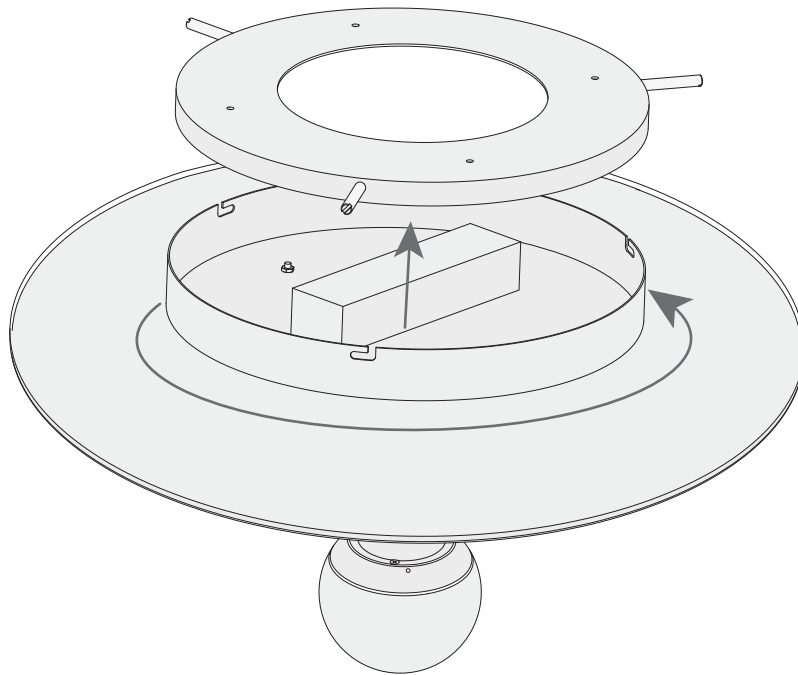
1



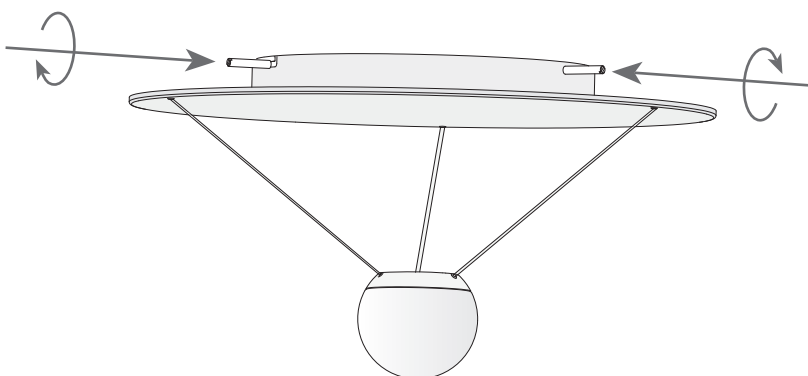
2



3



4



5

