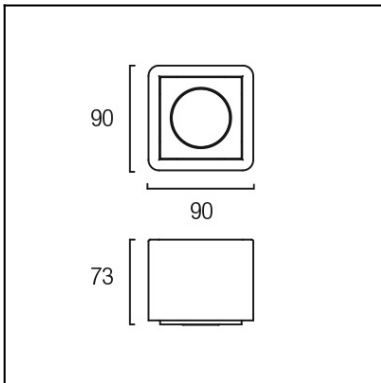


Design by Josep Patsí

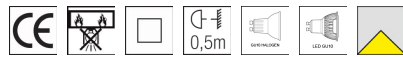


The photograph may not match the reference exactly. Please read the product description to identify the finish.



TECHNICAL CHARACTERISTICS

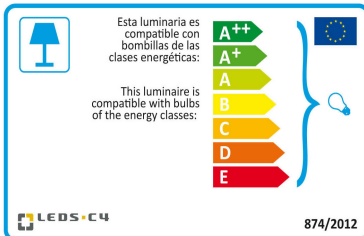
| | |
|------------------------|---|
| Type: | Ceiling fixture |
| IP Protection degrees: | IP23 |
| Light source 1: | 1 x GU10 MAX 35W Maximum lamp length: 56.00 mm Maximum lamp diameter: 50.00 mm |
| Voltage / Frequency: | 220-240V/50-60Hz |
| Warranty (Years): | 2 |
| Units per box: | 10 |
| Net Weight (Kg): | 0.335 |
| EAN: | 8435111090831 |



MATERIALS / FINISHES

| | | | |
|----------------------------|---------------|---------------------------|---------------|
| Structure material: | Aluminium | Diffuser material: | Polycarbonate |
| Structure finish: | Metallic grey | Diffuser finish: | Transparent |

[Download photometric file .ldt / .ies](#)

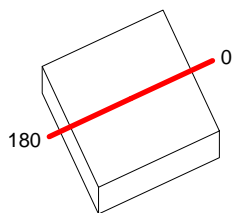


[Click on image to download energy label](#)

| | | | | | |
|---|---|---|-----------------|---|-----------------|
| Luminaire | | Measur. | | Lamp | |
| Code | 15-4716_5W_24D | Code | 15-4716_5W_24D | Code | 15-4716_5W_24D |
| Name | LEDBOX | Name | LEDBOX | Number | 1 |
| Line | Eulumdat | Date | 29-04-1994 | Position | |
| Efficiency | 100.00% | Coordinate system | CG | Total Flux | 165.00 lm |
| Maximum value | 532.76 cd | Position | C=0.00 G=0.00 | Rotosymmetrical | |
| Rectangular Luminaire Round Luminous Area | Length Diam. | 90 mm 50 mm | Width Height | 90 mm 34 mm | Height 73 mm |
| Horizontal Luminous Area Emitting area on Plane 0° Emitting area on Plane 90° | 0.001963 m2 0.001700 m2 0.001700 m2 | Emitting area on Plane 180° Emitting area on Plane 270° Glare area at 76° | | 0.001700 m2 0.001700 m2 0.002125 m2 | |
| Symmetry Type Measurement Distance | Rotosymmetrical 0.00 | Maximum Gamma Angle Measurement Flux | | 90 164.92 lm | |
| Operator Temperature Humidity Notes | 25.00 °C 60.00 % | Source voltage Source current Photocell | | | |

| Luminaire Lamps | | | | | | |
|-----------------|------------------------------|-------------------------|-------------|----------|------|--|
| Line | Code | Name | Flux [lm] | Pow. [W] | Q.ty | |
| Eulumdat | 15-4716_5W_24D | 15-4716_5W_24D - 5.00 W | 165.00 | 5.00 | 1 | |
| C.I.E. F UTE | 94 100 100 100 100 1.00 A | D DIN 5040 B NBN | A60 BZ 1 | | | |

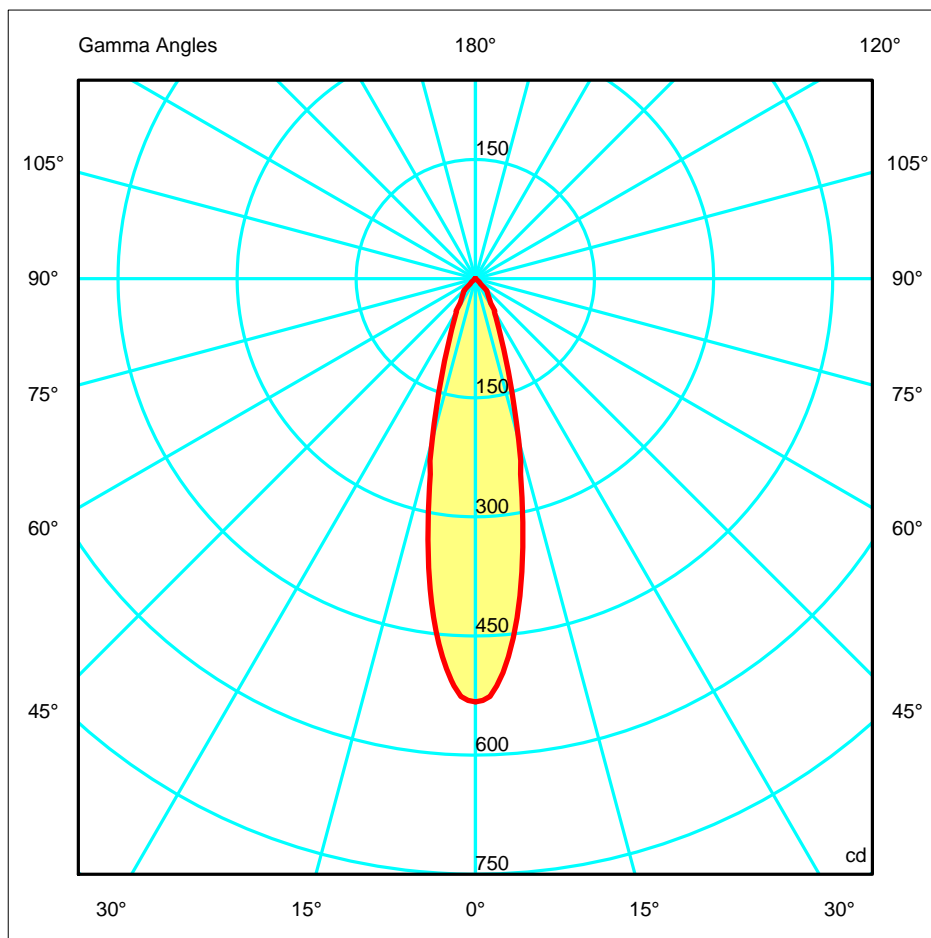
90mm x 90mm

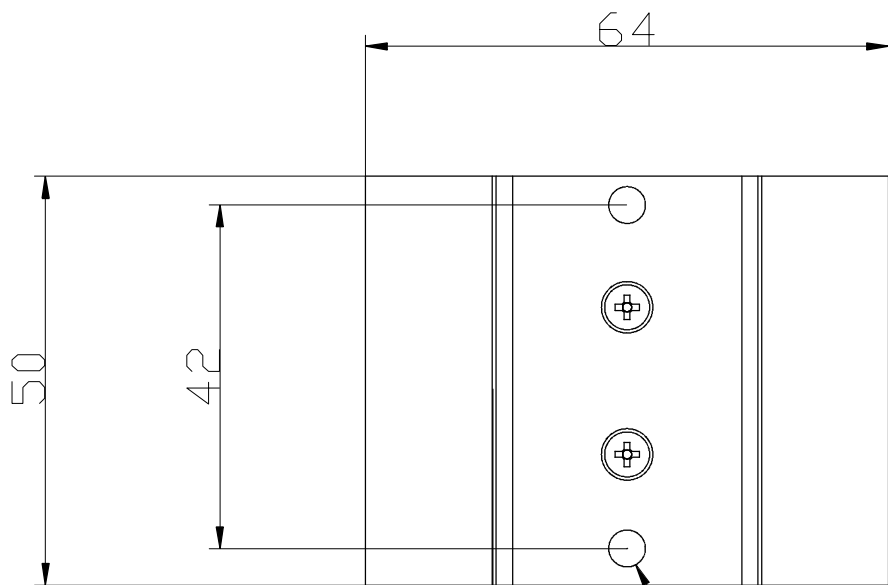
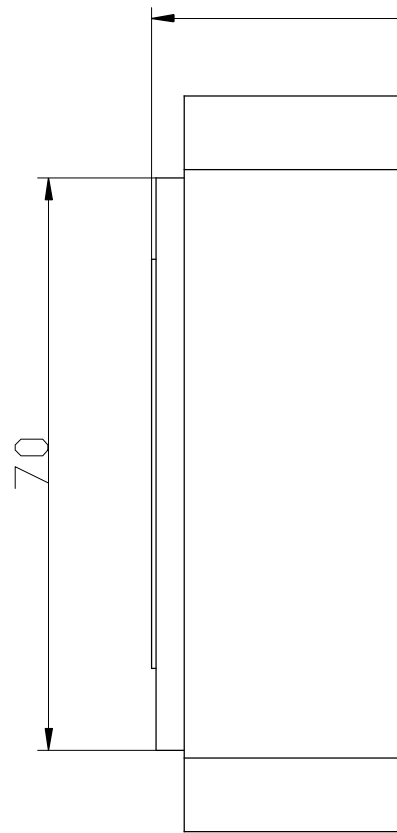
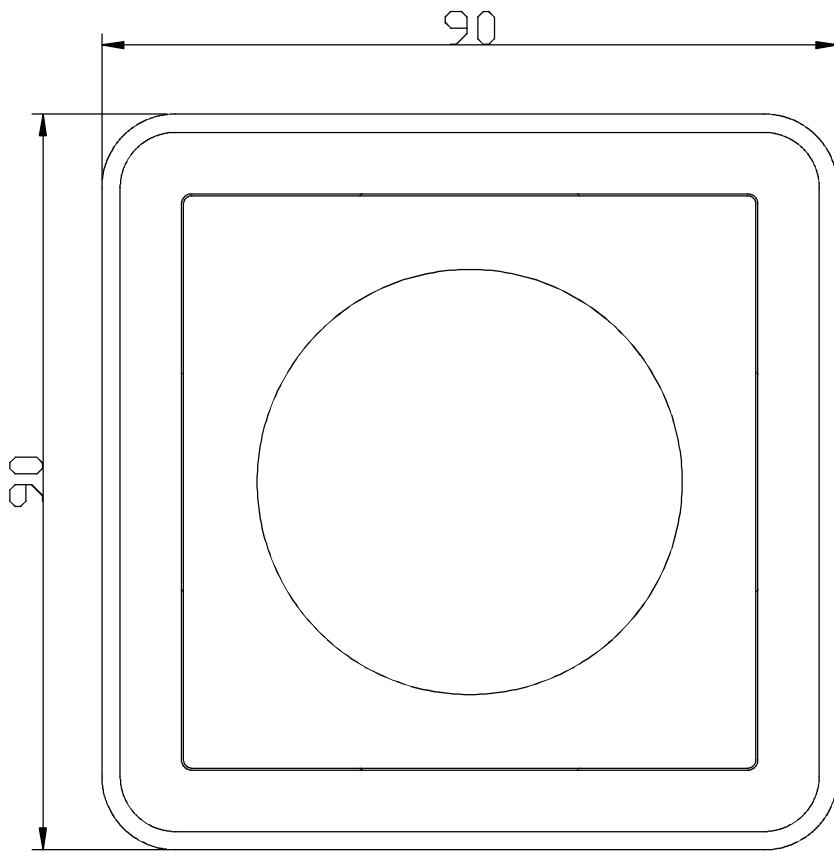


C Halfplanes

180.0 ——— 0.0

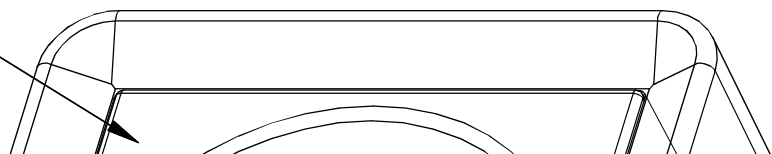
ULOR 0.00 %
DLOR 100.00 %
RN 0.00 %



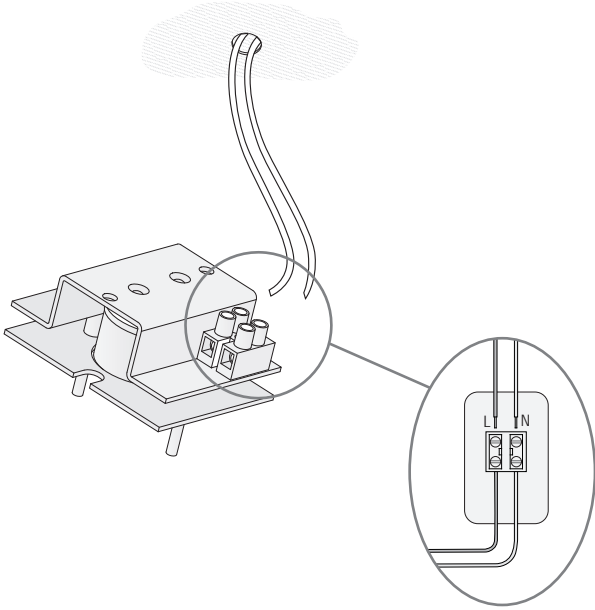


Zinc alloy (grey) /
Zamak (gris)

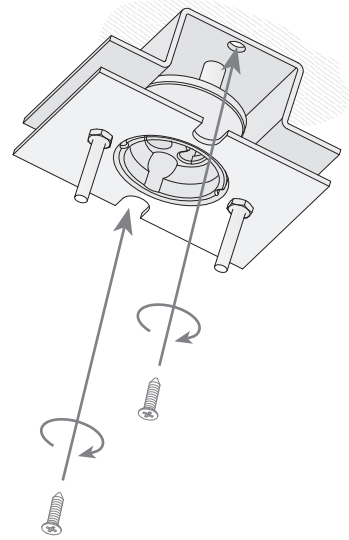
alum
alum



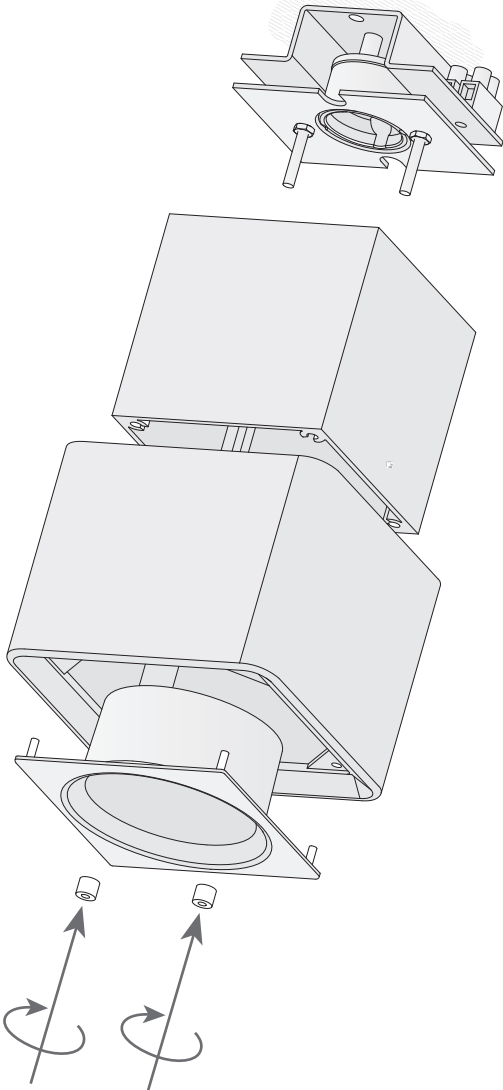
1



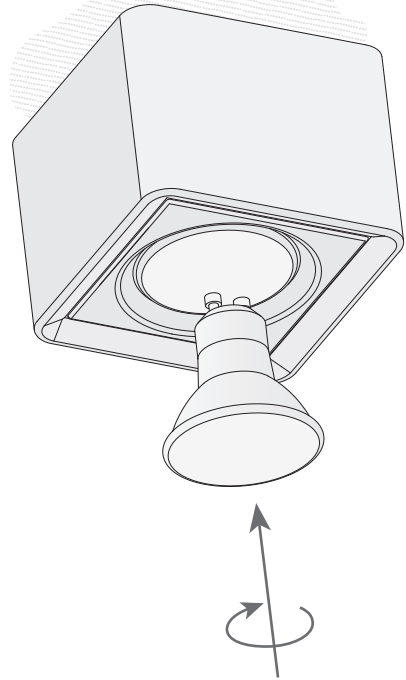
2



3



4



5

