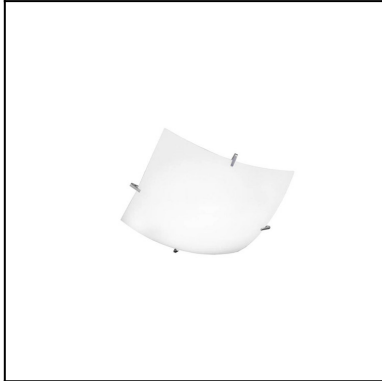
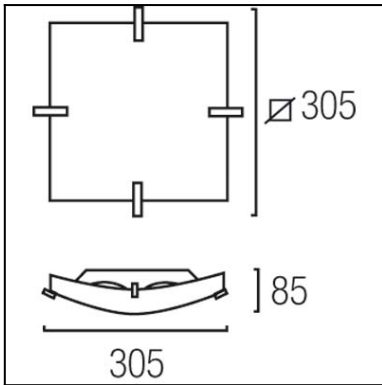


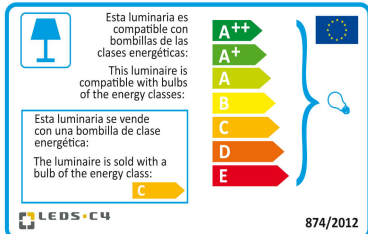
Design by Josep Patsí



The photograph may not match the reference exactly. Please read the product description to identify the finish.



Download photometric file .ldt /.ies



Click on image to download energy label

TECHNICAL CHARACTERISTICS

Type:	Ceiling fixture
IP Protection degrees:	IP20
Light source 1:	1 x R7s
Bulb included	120W 0 lm ^(N)
Light source 2:	1 x R7s
Bulb specified at the product label	MAX 150W 0 lm ^(N)
Total power consumption (W):	150
Voltage / Frequency:	220-240V/50-60Hz
Warranty:	2
Units per box:	4
Net Weight (Kg):	
CFM:	0.00



MATERIALS / FINISHES

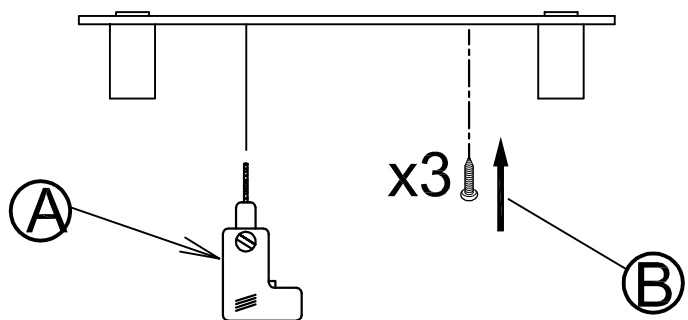
Structure material: Steel

Diffuser material: Glass

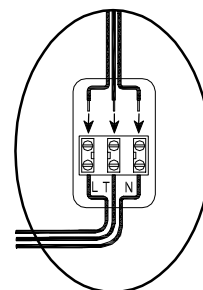
Structure finish: Satin nickel

Diffuser finish: Tinted
White

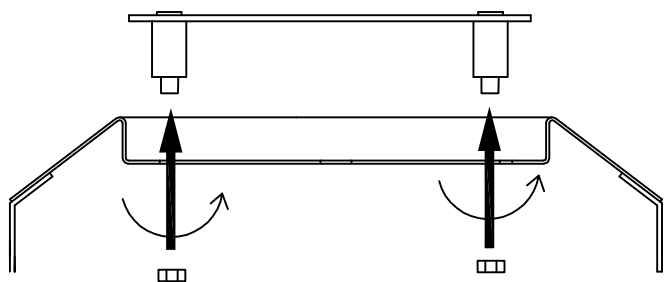
①



②



③



④

