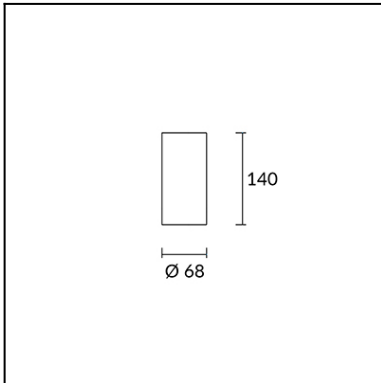




The photograph may not match the reference exactly. Please read the product description to identify the finish.



TECHNICAL CHARACTERISTICS

Type:	Spotlight
IP Protection degrees:	IP23
Light source 1:	1 x GU10 MAX 50W
Voltage / Frequency:	220-240V/50-60Hz
Warranty (Years):	2
Units per box:	50
Net Weight (Kg):	0.28
EAN:	8435381421212

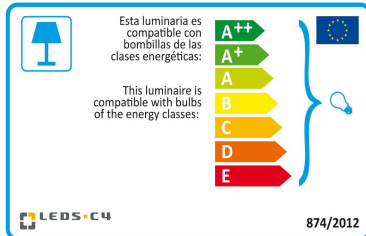


MATERIALS / FINISHES

Structure material: Extruded aluminium

Structure finish: Matt black
Golden

[Download photometric file .ldt / .ies](#)



[Click on image to download energy label](#)

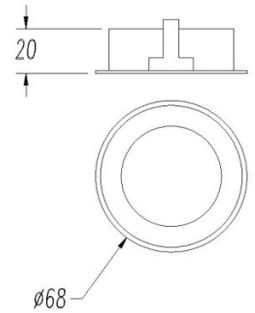
71-0073-05-05

**Structure material:**

Steel

Structure finish:

Matt black



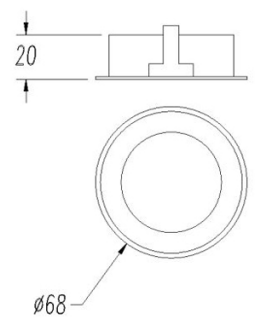
71-0073-14-14

**Structure material:**

Steel

Structure finish:

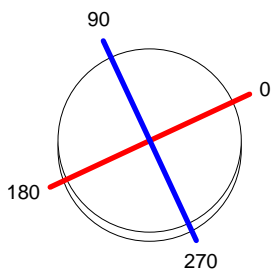
Matt white



Luminaire		Measur.		Lamp	
Code	15-0073-05-23	Code	15-0073-05-23	Code	64826FL
Name	Foco simplw 50W GU10	Name	Foco simplw 50W GU10	Number	1
Line	Eulumdat	Date	17-01-2013	Position	
Efficiency	83.35%	Coordinate system	CG	Total Flux	370.00 lm
Maximum value	719.19 cd	Position	C=0.00 G=0.00	Double Symmetrical	
Round Luminaire	Diam.	68 mm	Height	140 mm	
Round Luminous Area	Diam.	45 mm	Height	0 mm	
Horizontal Luminous Area	0.001590 m2	Emitting area on Plane 180°	0.000000 m2		
Emitting area on Plane 0°	0.000000 m2	Emitting area on Plane 270°	0.000000 m2		
Emitting area on Plane 90°	0.000000 m2	Glare area at 76°	0.000385 m2		
Symmetry Type	Double Symmetrical	Maximum Gamma Angle	90		
Measurement Distance	0.00	Measurement Flux	370.00 lm		
Operator	Asselum T2	Source voltage			
Temperature	25.00 °C	Source current			
Humidity	60.00 %	Photocell			
Notes					

Luminaire Lamps						
Line	Code	Name	Flux [lm]	Pow. [W]	Q.ty	
Eulumdat	64826FL	64826FL - 50.00 W	370.00	50.00	1	
C.I.E.	93 99 100 100 83	D DIN 5040				
F UTE	0.83 A	B NBN				
		A60				
		BZ 1				

Diam=68mm



C Halfplanes

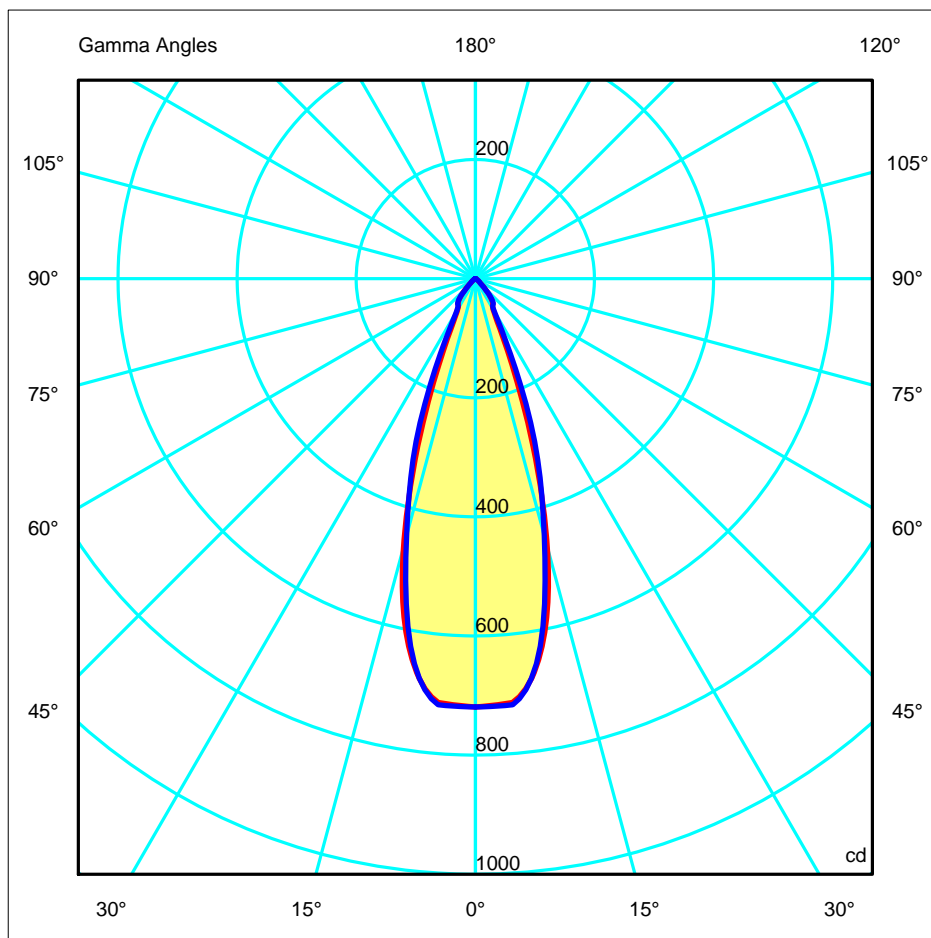
180.0 — 0.0 (Red line)

270.0 — 90.0 (Blue line)

ULOR 0.00 %

DLOR 83.35 %

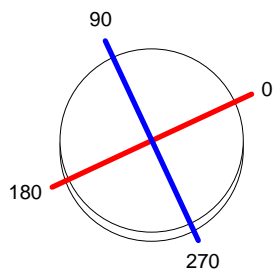
RN 0.00 %



Luminaire		Measur.		Lamp	
Code	15-0073-14-05	Code	15-0073-14-05	Code	64826FL
Name	Foco simplw 50W GU10	Name	Foco simplw 50W GU10	Number	1
Line	Eulumdat	Date	17-01-2013	Position	
Efficiency	83.35%	Coordinate system	CG	Total Flux	370.00 lm
Maximum value	719.19 cd	Position	C=0.00 G=0.00	Double Symmetrical	
Round Luminaire	Diam.	68 mm	Height	140 mm	
Round Luminous Area	Diam.	45 mm	Height	0 mm	
Horizontal Luminous Area	0.001590 m2	Emitting area on Plane 180°	0.000000 m2		
Emitting area on Plane 0°	0.000000 m2	Emitting area on Plane 270°	0.000000 m2		
Emitting area on Plane 90°	0.000000 m2	Glare area at 76°	0.000385 m2		
Symmetry Type	Double Symmetrical	Maximum Gamma Angle	90		
Measurement Distance	0.00	Measurement Flux	370.00 lm		
Operator	Asselum T2	Source voltage			
Temperature	25.00 °C	Source current			
Humidity	60.00 %	Photocell			
Notes					

Line		Code		Luminaire Lamps		Flux [lm]	Pow. [W]	Q.ty
Eulumdat		64826FL		Name		370.00	50.00	1
C.I.E.	93 99 100 100 83			64826FL - 50.00 W				
F UTE	0.83 A			D DIN 5040				
				B NBN				
				A60				
				BZ 1				

Diam=68mm



C Halfplanes

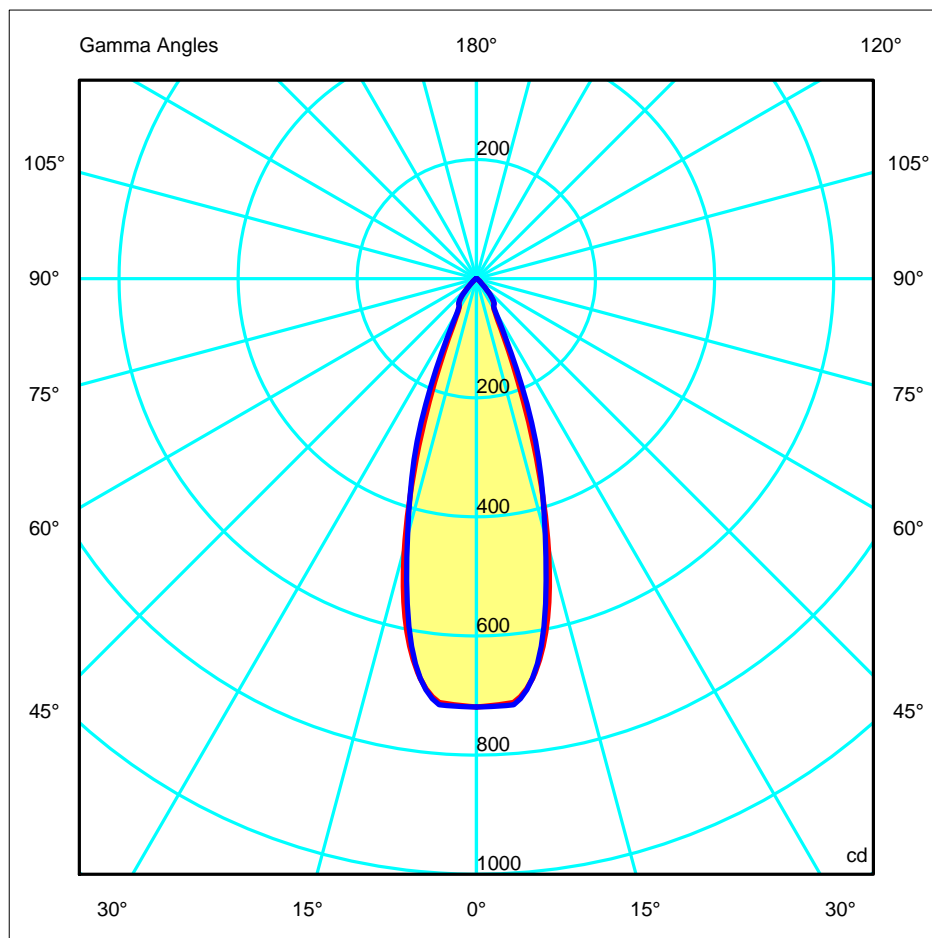
180.0 — 0.0

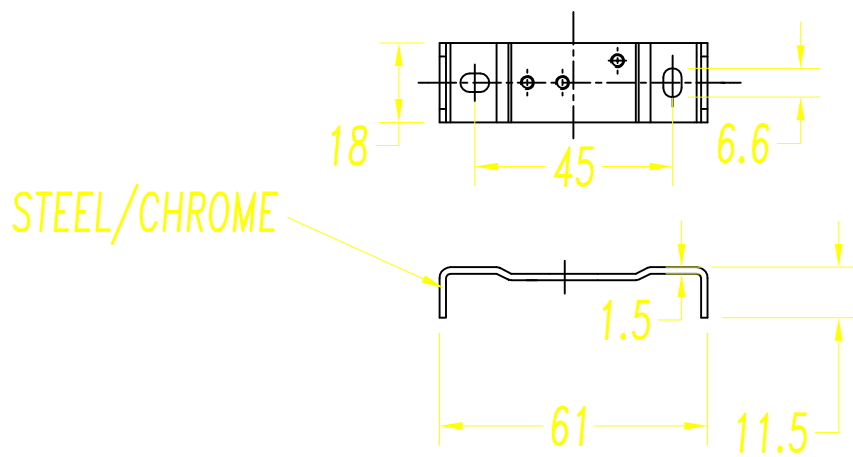
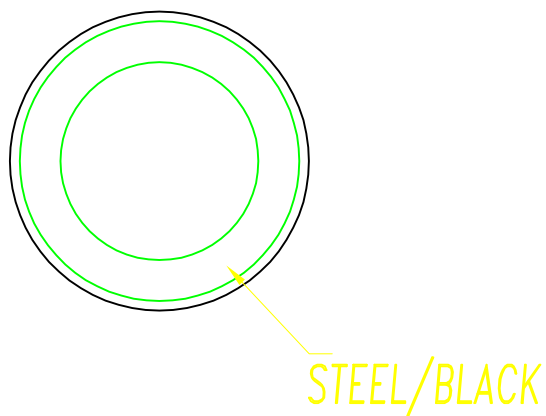
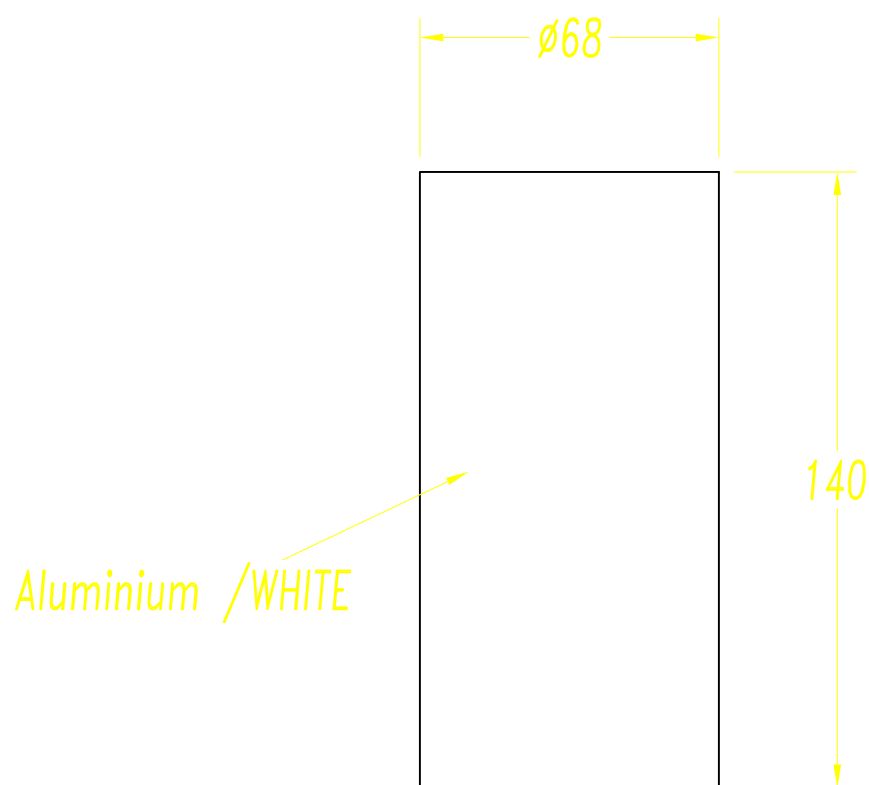
270.0 — 90.0

ULOR 0.00 %

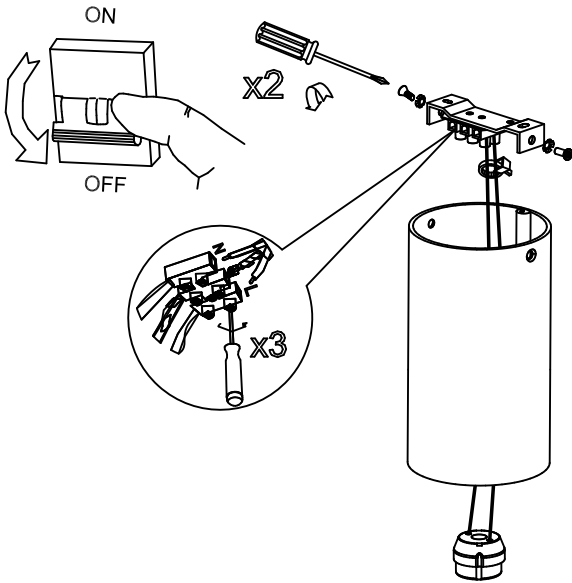
DLOR 83.35 %

RN 0.00 %

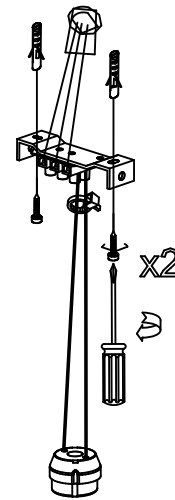




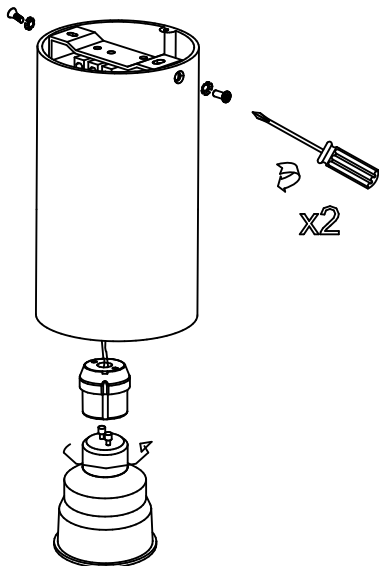
1



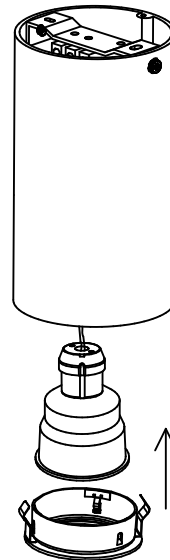
2



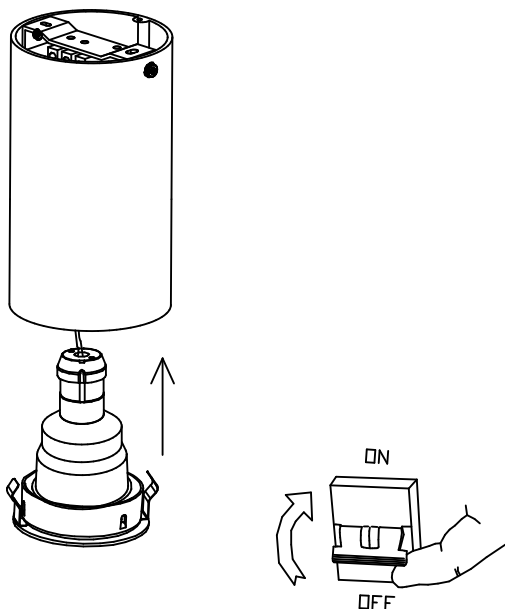
3



4



5



6

