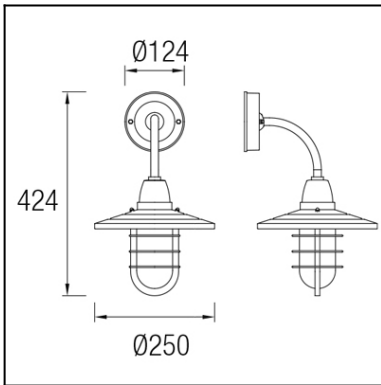


Design by Manel Llusçà



The photograph may not match the reference exactly. Please read the product description to identify the finish.



TECHNICAL CHARACTERISTICS

Type:	Wall fixture
Adjustable:	Adjustable $\pm 15^\circ$ on the horizontal axis.
IP Protection degrees:	IP65
Light source 1:	1 x E27 MAX 20W
Voltage / Frequency:	220-240V/50-60Hz
Warranty (Years):	2



MATERIALS / FINISHES

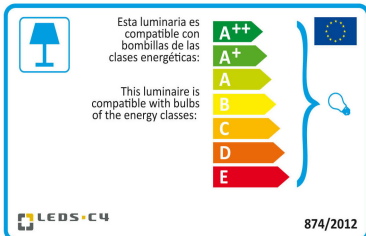
Structure material: Stainless steel AISI202

Diffuser material: Glass

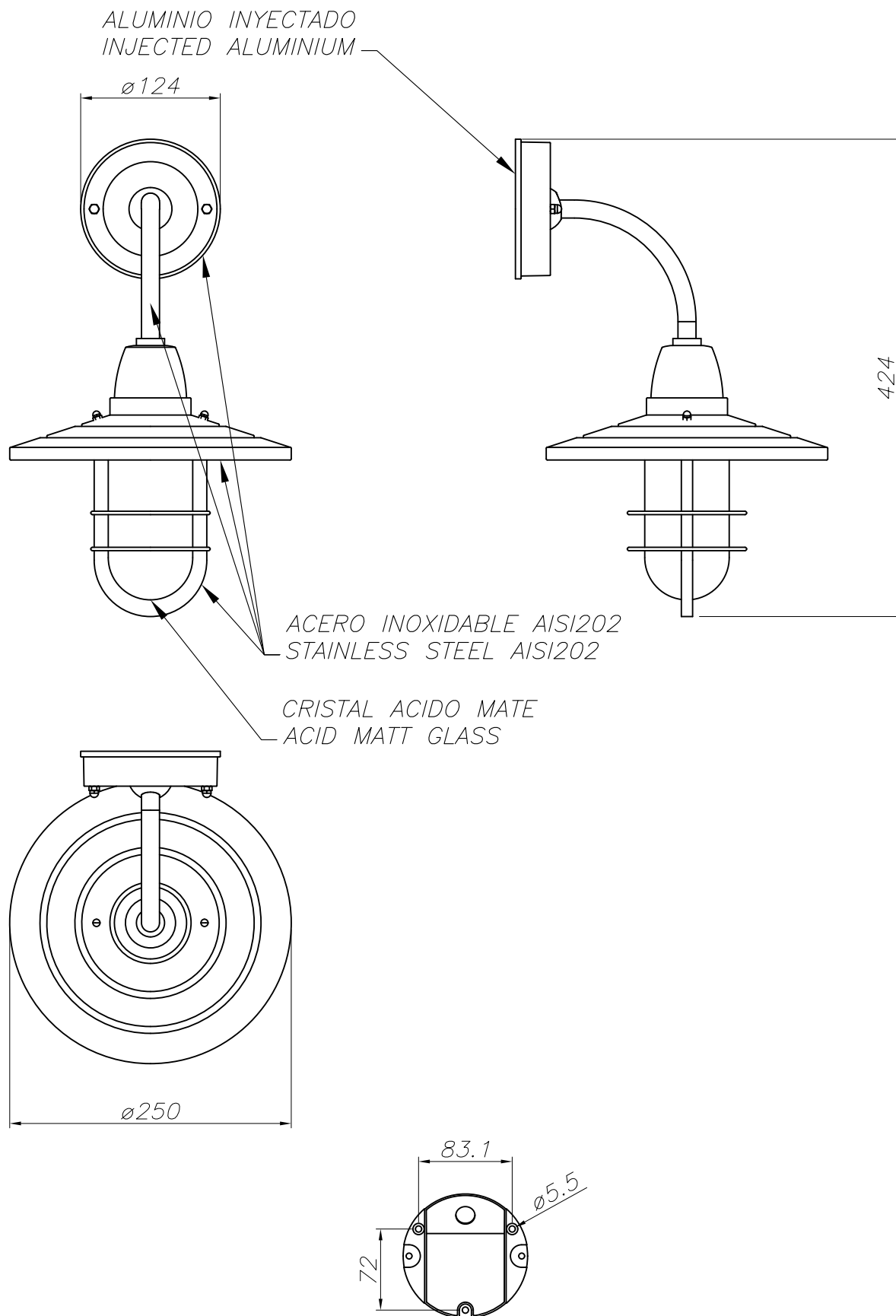
Structure finish: Antique grey

Diffuser finish: Matt

[Download photometric file .ldt / .ies](#)



[Click on image to download energy label](#)



PLANTILLA DE INSTALACIÓN
INSTALLATION TEMPLATE

