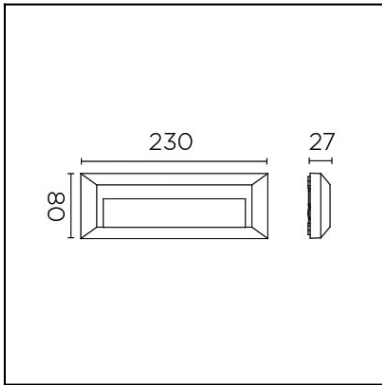
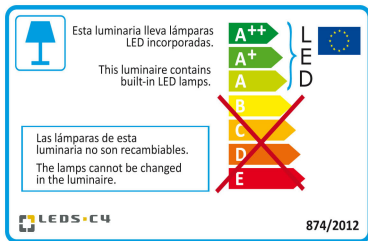




The photograph may not match the reference exactly. Please read the product description to identify the finish.



Download photometric file .ldt /.ies



Click on image to download energy label

TECHNICAL CHARACTERISTICS

Type:	Wall fixture
IP Protection degrees:	IP65
Light source 1: Bulb specified at the product label	36 x LED 3.4W Neutral white - 4000K 292 lm ^(N)
IK Protection degrees:	IK10
Total power consumption (W):	3.1W
Voltage / Frequency:	100-240V/50-60Hz
Warranty:	2
Option to extend the guarantee:	No
Units per box:	16
Net Weight (Kg):	
EAN Code:	8435381434960
CFM:	0.00



MATERIALS / FINISHES

Structure material: Polycarbonate + ABS

Diffuser material: Polycarbonate

Structure finish: White

Diffuser finish: Transparent

GEAR

Multi-voltage electronic gear included (Yes)

