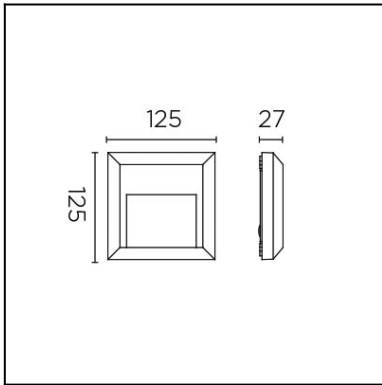


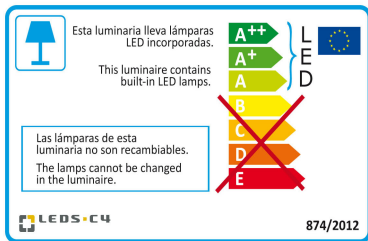
OUT 



The photograph may not match the reference exactly. Please read the product description to identify the finish.



[Download photometric file .ldt /.ies](#)



[Click on image to download energy label](#)

### TECHNICAL CHARACTERISTICS

Type:	Wall fixture
IP Protection degrees:	IP65
Light source 1: Bulb specified at the product label	16 x LED 1.5W Neutral white - 4000K 130 lm <sup>(N)</sup>
IK Protection degrees:	IK10
Total power consumption (W):	1.5W
Voltage / Frequency:	100-240V/50-60Hz
Warranty:	2
Option to extend the guarantee:	No
Units per box:	16
Net Weight (Kg):	
EAN Code:	8435381434977
CFM:	0.00



### MATERIALS / FINISHES

**Structure material:** Polycarbonate + ABS

**Diffuser material:** Polycarbonate

**Structure finish:** White

**Diffuser finish:** Transparent

### GEAR

Multi-voltage electronic gear included (Yes)

