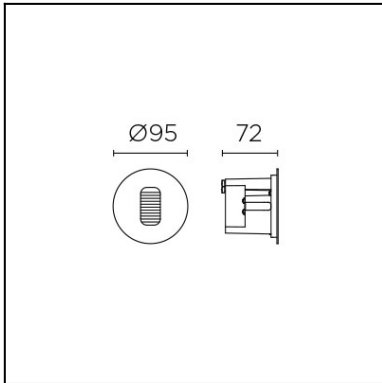
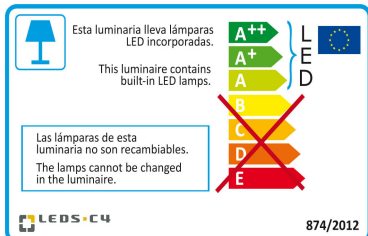




The photograph may not match the reference exactly. Please read the product description to identify the finish.



[Download photometric file .ldt /.ies](#)



[Click on image to download energy label](#)

### TECHNICAL CHARACTERISTICS

Type:	WALL RECESSED
IP Protection degrees:	IP65
Light source 1:	1 x LED Cree
Bulb specified at the product label	2,2W Warm White - 3000K 162 lm <sup>(N)</sup> CRI 80
IK Protection degrees:	IK10
Total power consumption (W):	3.7W
Voltage / Frequency:	100-240VAC/50-60Hz
Warranty:	2
Option to extend the guarantee:	5
Units per box:	24
Net Weight (Kg):	0.335
EAN Code:	8435381438340



### MATERIALS / FINISHES

**Structure material:** Stainless steel AISI316

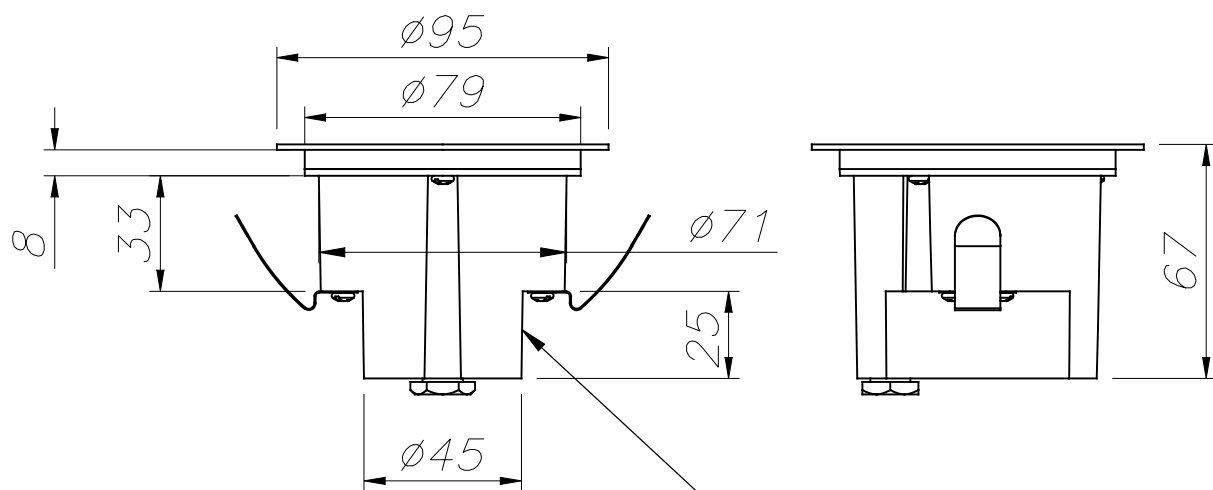
**Diffuser material:** Glass

**Structure finish:** Polished

**Diffuser finish:** Transparent

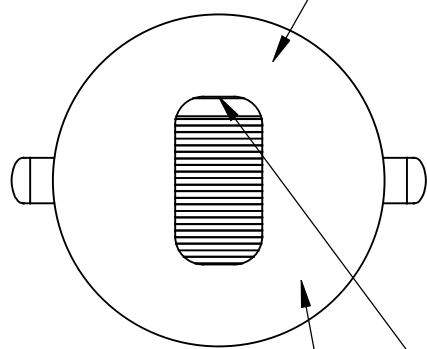
### GEAR

Multi-voltage electronic gear included (Yes)



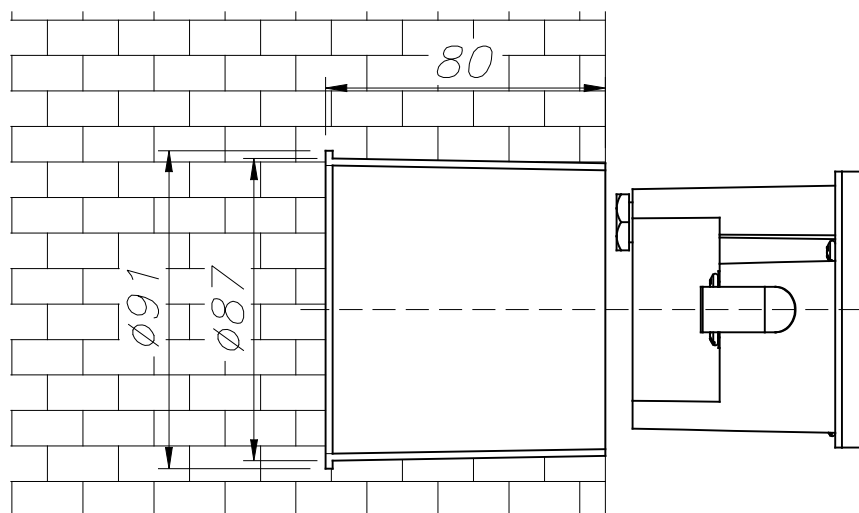
ACERO INOXIDABLE AISI 304  
 STAINLESS STEEL AISI 304  
 (05-9757-Y4-CL)

ALUMINIO INYECTADO  
 INJECTED ALUMINIUM



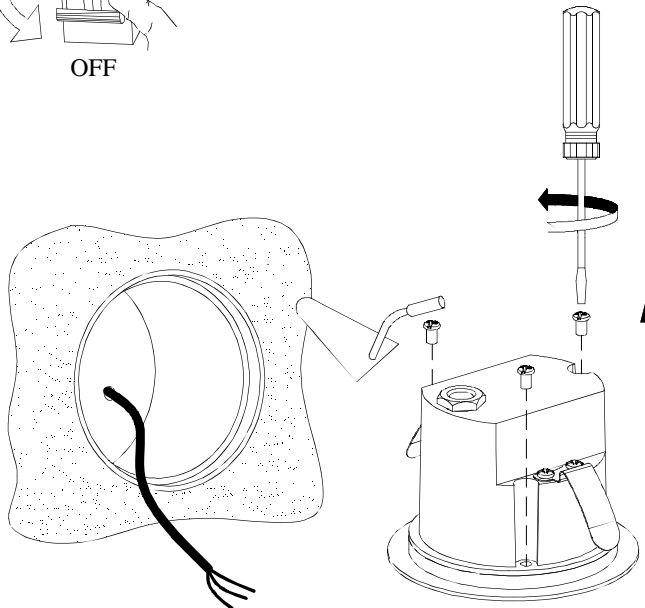
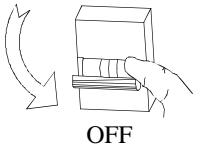
CRISTAL TRANSPARENTE  
 TRANSPARENT GLASS

ACERO INOXIDABLE AISI 316  
 STAINLESS STEEL AISI 316  
 (05-9757-CA-CL)

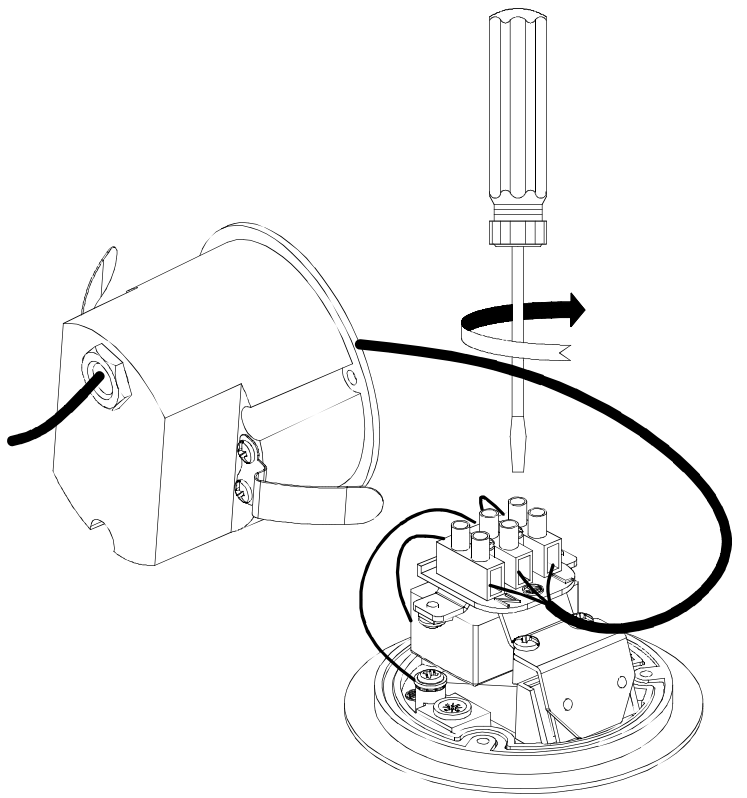


CAJA DE EMPOTRAR  
 FLUSH FITTING BOX

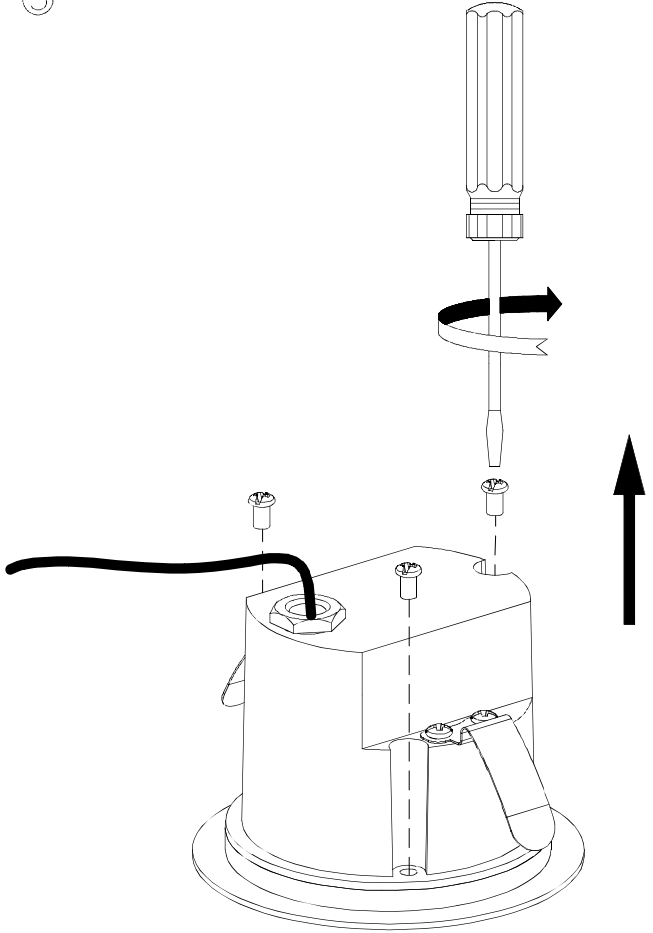
①



②



③



④

