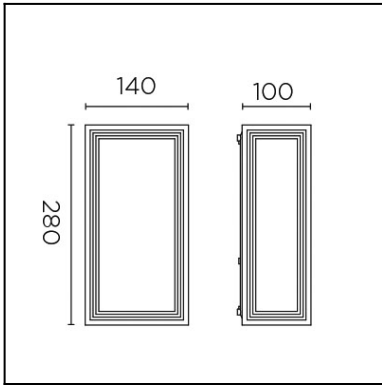




The photograph may not match the reference exactly. Please read the product description to identify the finish.



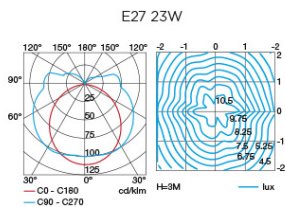
TECHNICAL CHARACTERISTICS

Type:	Wall fixture
IP Protection degrees:	IP44
IK Protection degrees:	IK10
Light source 1:	1 x E27 max.23W Maximum lamp length: 180.00 mm
Voltage / Frequency:	220-240V/50-60Hz
Warranty (Years):	2
Units per box:	8
Net Weight (Kg):	1.48
EAN:	8435381400507

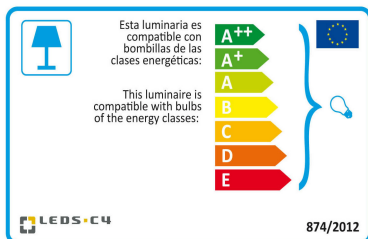


MATERIALS / FINISHES

Structure material: Injected aluminium	Diffuser material: Polycarbonate
Structure finish: Urban grey	Diffuser finish: Opal



Download photometric file .ldt / .ies

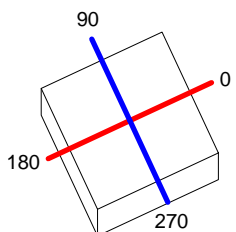


Click on image to download energy label

Luminaire		Measur.		Lamp		
Code	05-9686	Code	05-9686	Code	E27	
Name	outdoor	Name	outdoor	Number	1	
Line	Eulumdat	Date	17-12-2013	Position		
Efficiency	42.14%	Coordinate system	CG	Total Flux	1200.00 lm	
Maximum value	109.65 cd	Position	C=180.00 G=1.00	Asymmetrical		
Rectangular Luminaire	Length	1 mm	Width	1 mm	Height	1 mm
Rectangular Luminous Area	Length	1 mm	Width	1 mm	Height	1 mm
Horizontal Luminous Area	0.000001 m2	Emitting area on Plane 180°		0.000001 m2		
Emitting area on Plane 0°	0.000001 m2	Emitting area on Plane 270°		0.000001 m2		
Emitting area on Plane 90°	0.000001 m2	Glare area at 76°		0.000001 m2		
Symmetry Type	Asymmetrical	Maximum Gamma Angle		180		
Measurement Distance	0.00	Measurement Flux		1200.00 lm		
Operator		Source voltage				
Temperature	25.00 °C	Source current				
Humidity	60.00 %	Photocell				
Notes						

Line		Code		Luminaire Lamps		Flux [lm]	Pow. [W]	Q.ty
Eulumdat		E27		Name		1200.00	21.80	1
				E27 - 21.80 W				
C.I.E.	36 65 86 79 42			D DIN 5040	B21			
F UTE	0.33 H + 0.09 T			B NBN	BZ 6			

1mm x 1mm



C Halfplanes

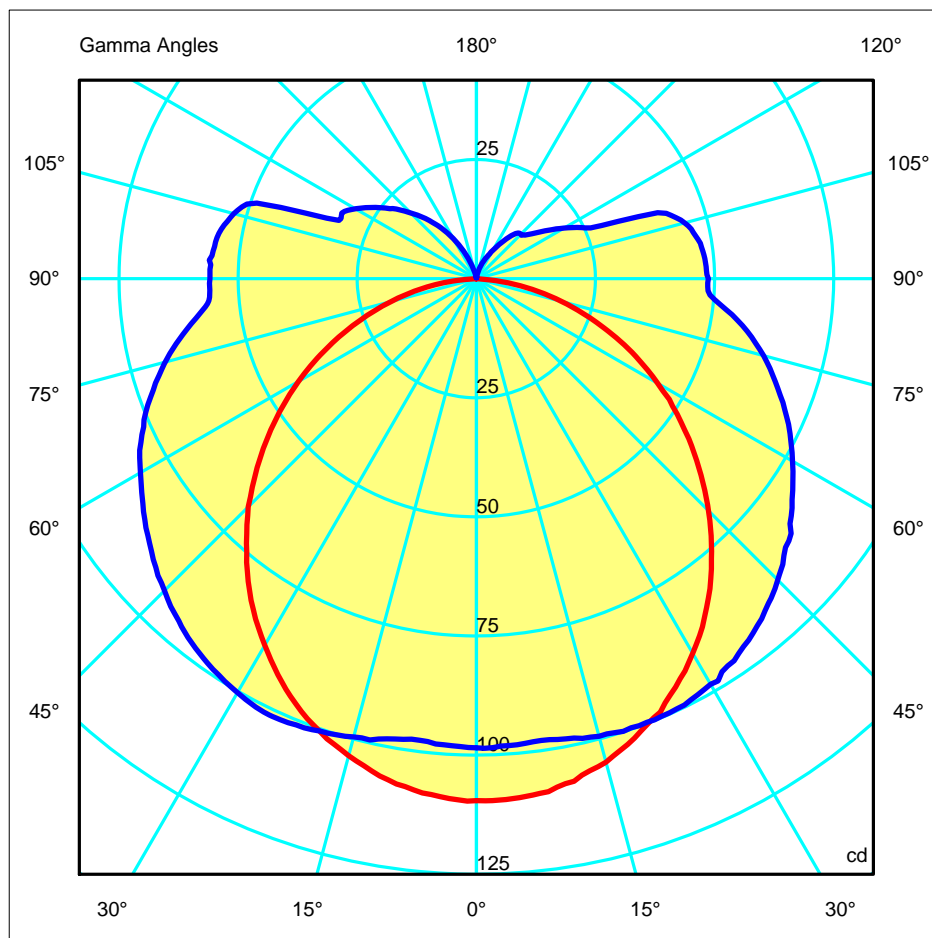
180.0 — 0.0

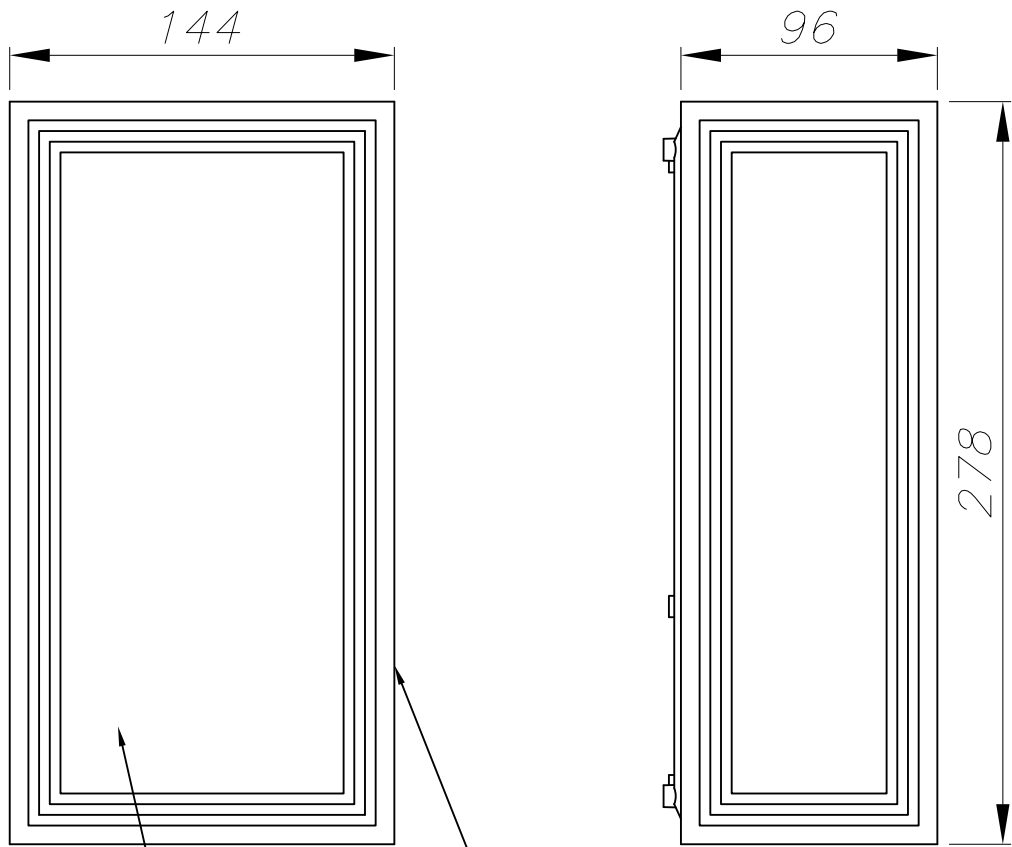
270.0 — 90.0

ULOR 8.99 %

DLOR 33.15 %

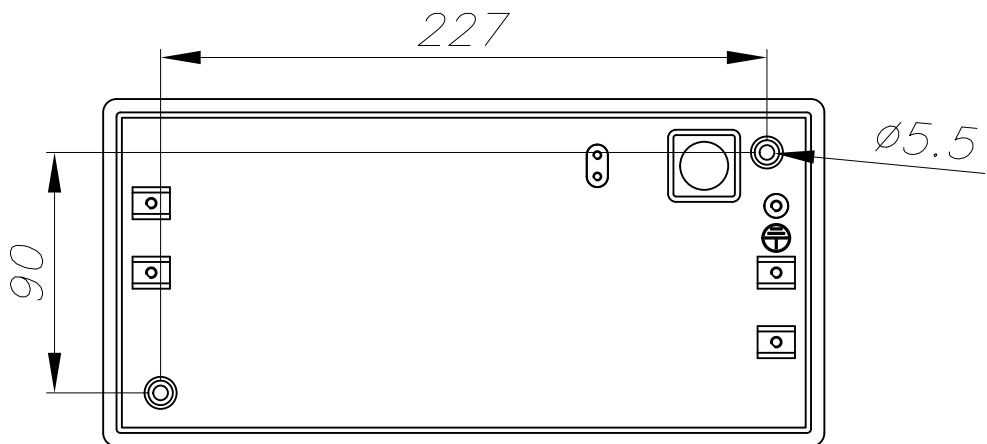
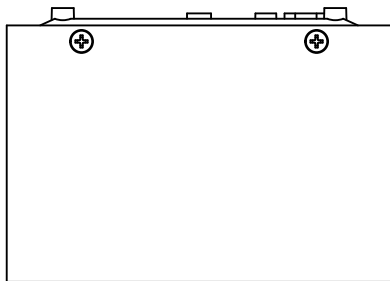
RN 21.32 %





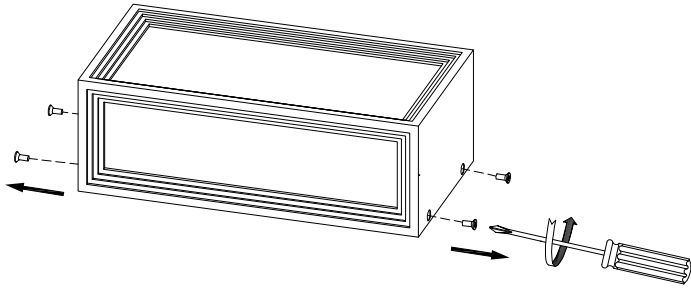
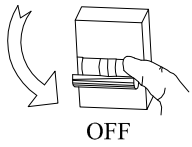
PC OPAL
OPAL PC

ALUMINIO INYECTADO
INJECTED ALUMINUM

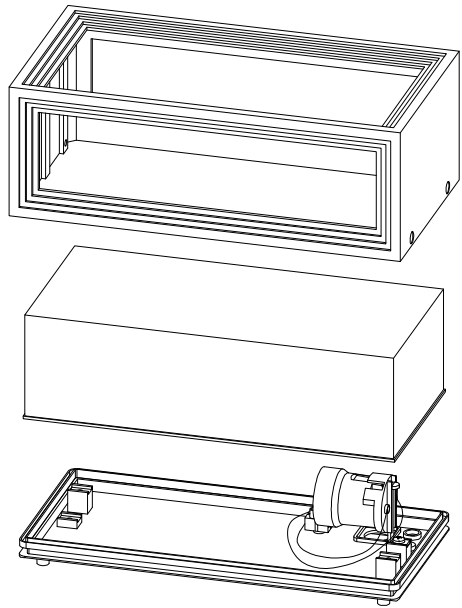


PLANTILLA DE INSTALACIÓN
INSTALLATION TEMPLATE

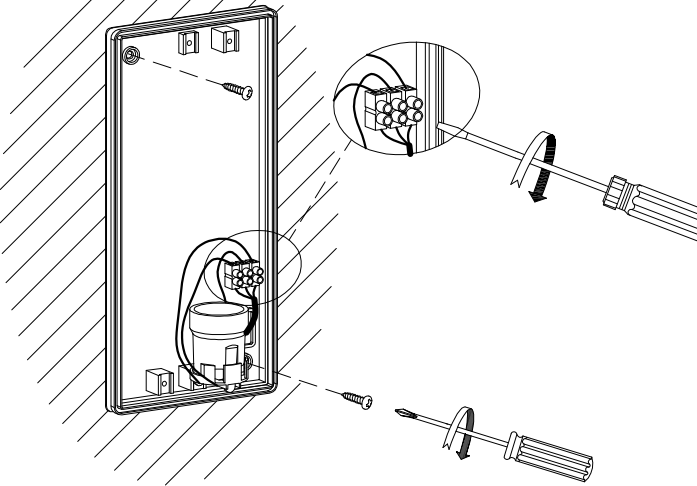
①



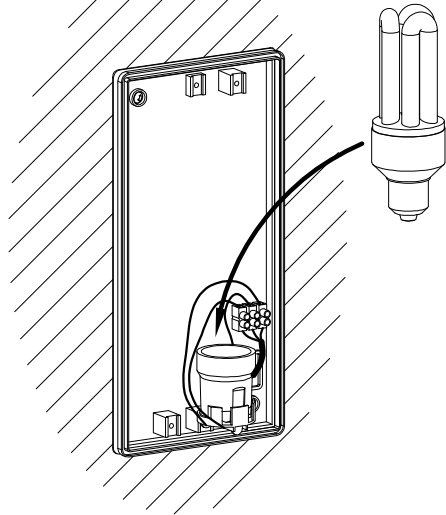
②



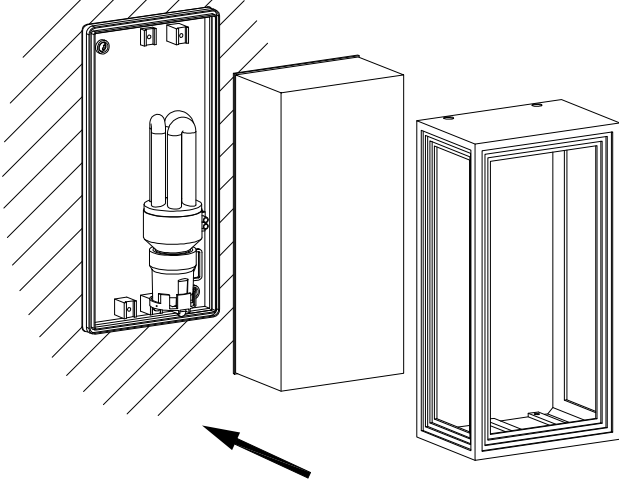
③



④



⑤



⑥

